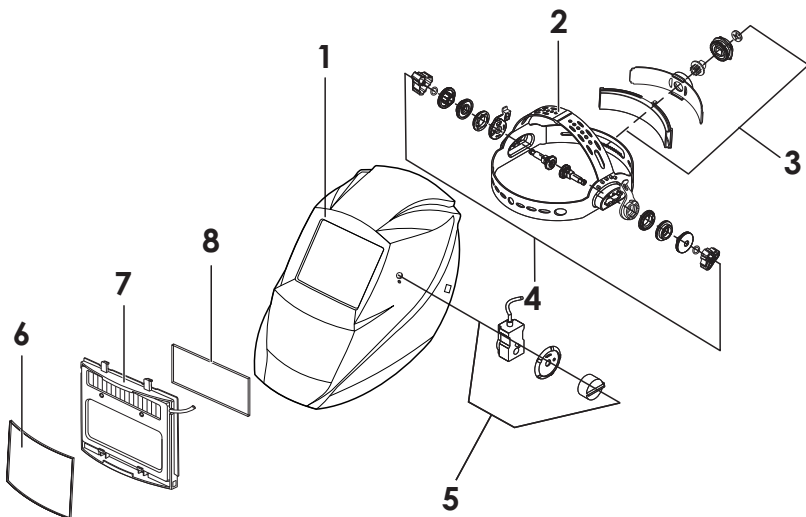
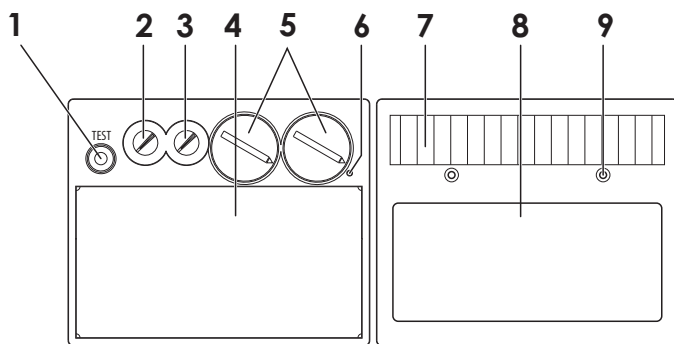
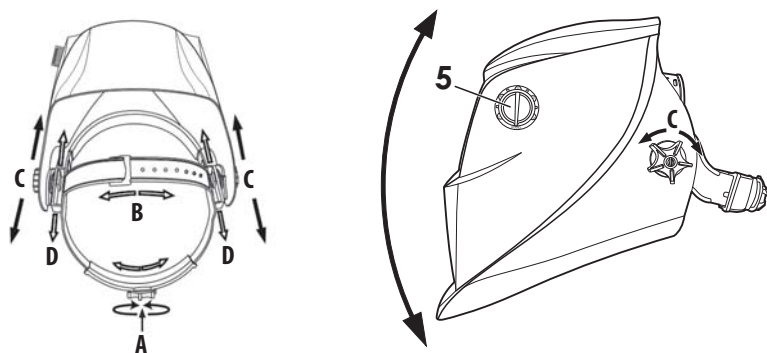




**L1540500**

<b>EN</b>	Instruction manual	AUTO DARKENING WELDING HELMET .....	3
<b>PL</b>	Instrukcja obsługi	PRZYŁBICA SPAWALNICZA Z AUTOMATYCZNYM FILTREM.....	7
<b>RU</b>	Инструкция по эксплуатации	СВАРОЧНЫЙ ШЛЕМ С АВТОЗАТЕМНЯЮЩИМСЯ ФИЛЬТРОМ...	12
<b>RO</b>	Instrucțiuni de folosire	MASCĂ DE SUDURĂ CU FILTRU AUTOMAT .....	18
<b>LT</b>	Naudojimo instrukcija	AUTOMATIŠKAI UŽTAMSĖJANTIS SUVIRINTOJO SKYDELIS .....	23
<b>LV</b>	Lietošanas instrukcija	METINĀŠANAS ĶĪVERE AR AUTOMĀTISKO FILTRU .....	28
<b>CS</b>	Návod na obsluhu	SVÁŘECÍ HELMA S AUTOMATICKÝM FILTREM .....	33
<b>HU</b>	Használati útmutató	AUTOMATA HEGESZTŐPAJZS .....	38
<b>SK</b>	Návod na obsluhu	ZVÁRACIA HELMA S AUTOMATICKÝM FILTROM.....	43
<b>SL</b>	Navodila za uporabo	VARILNA MASKA S SAMODEJNIM FILTROM .....	48
<b>HR</b>	Upute za upotrebu	ŠALJICA ZA ZAVARIVANJE SA AUTOMATSKIM FILTEROM.....	53
<b>BS</b>	Upute za upotrebu	ŠALJICA ZA ZAVARIVANJE SA AUTOMATSKIM FILTEROM .....	58

**A****B****C**



**TO ENSURE SAFE USE, READ THE PRODUCT USER'S MANUAL IN DETAIL.**

**Keep these instructions for future reference.**

### 1. INTENDED USE AND SPECIFICATION:

Auto darkening welding helmet **LAHTI PRO L1540500** is intended for face and eye protection against sparks, spatter, and harmful radiation in welding works. Conforms to EN 379:2003+A1:2009, EN 175:1997 and Regulation 2016/425.

The internet address where the EU declaration of conformity can be accessed: [www.lahtipro.pl](http://www.lahtipro.pl)

The welding helmet was examined in: **DIN CERTCO Gesellschaft für Konformitätsbewertung mbH**, Alboinstraße 56, 12103 Berlin, Germany. No of the Notified Body: 0196.

The helmet may also be used as personal protection equipment in minor and short grinding works (grinding metal with flap discs). It is not a suitable piece of personal protection for metal grinding with grinding discs.

The helmet has a large, 100x50 mm viewing area. The automatic darkening filter goes dark after an arc occurs and clears when welding is complete.

The helmet provides a complete protection against UV/IR (ultraviolet/infrared) radiation even with shade deactivated. Two sensors guarantee correct operation of the helmet under all conditions and in all positions.

The helmet can be used right away. It has only to be adjusted to welder's head size, and the correct operating parameters have to be set.



**WARNING! The welding helmet conforms to welding safety standards.**

**Safe use of this product requires appropriate welding training. It should be used by trained welders only.**

**Do not use the helmet without a protective glass or filter.**

**Do not use the helmet if any of its elements are damaged. Use at ambient temperatures of -5°C to +55°C.**



**WARNING!**

**This welding helmet must not be used for cutting with laser or oxyacetylene torches. The helmet does not protect against explosive or corrosive substances.**

**The helmet does not protect against heavy impact, for example with grinding discs.**

**Never put the helmet on hot surfaces.**

### 2. HELMET DESIGN:

The auto darkening welding helmet consists of the following three basic modules:

- helmet body made of thermostable, durable, spatter-resistant polymer;
- headgear;
- auto darkening filter.

■ **Components of the helmet** (see fig. A, p. 2):

1. Helmet body
2. Adjustable headgear

3. Headgear adjustment mechanism
4. Regulation for helmet angle and eye-to-filter distance
5. Operation mode and shade knob
6. External protection plate
7. Filter cartridge
8. Internal protection plate

■ **Components of the auto darkening filter** (see fig. B, p. 2):

1. TEST button
2. Control for clearing time after welding
3. Sensitivity adjustment
4. Internal protection plate
5. Battery compartment
6. Empty battery indicator
7. Solar cell
8. UV/IR filter
9. Optical sensor

### 3. TECHNICAL PARAMETERS:

MODEL	L1540500
<b>Power:</b> solar cells + 2 replaceable lithium CR2032 batteries	
Power on/off	automatic
Viewing area	100x50 mm
Filter size	110x90x10 mm
Shade at clear	4 acc. to DIN
UV/IR radiation protection	Constant – 16 acc. to DIN
Darkening range	9-13 acc. to DIN
Clear/dark switching delay	1/25000 s
Dark/clear switching delay	0.1~1.0 s
Sensitivity/delay	smooth
Operating temperature	-5°C to +55°C
Storage temperature	-20°C to +70°C
Number of arc optical sensors	2
'Grinding' mode	yes
Body material	polyamide, polypropylene, polyethylene
Filter autotest	yes
Total weight	480g
Box dimensions	330x230x230 mm

### 4. RECOMMENDED SHADES:

The table below presents recommended shades for specific welding methods and currents. The following also affect the shade of a filter:

- type of base metal;
- light level (values in the table refer to average working conditions where the distance between eyes and weld puddle is about 50 cm and average light intensity is about 100lx);
- operator's position in relation to the flame or electric arc. If the welder leans over the workpiece or has his hands stretched, at least one

shade change is necessary;

- human factor (values in the table refer to operators with normal sight. Persons with sight defects should adjust shade to their needs by trying out greater or weaker shades);

- it is recommended to increase shade for outside works in bright sunlight at least by one degree;
- Shade might need to be increased/decreased depending on ambient conditions.

WELDING PROCESS	CURRENT INTENSITY (A)																							
	1,5	6	10	15	30	40	60	70	100	125	150	175	200	225	250	300	350	400	450	500	600			
SMAW	8						9			10			11			12			13			14		
MAG	8						9			10			11			12			13			14		
TIG	8						9			10			11			12			13					
Heavy metal MIG							9			10			11			12			13			14		
Lightweight alloy MIG										10			11			12			13			14		
SAW										10			11			12			13			14		
PAC										9			10			11			12			13		
PAW	4		5		6		7		8		9		10		11		12							

#### ■ Abbreviations:

**SMAW** – shielded metal arc welding

**MAG** – metal active gas welding;

**TIG** – tungsten inert gas welding;

**MIG** – metal inert gas welding;

**SAW** – submerged arc welding;

**PAC** – plasma arc cutting;

**PAW** – plasma arc welding.

#### 5. USE PRECAUTIONS:



**WARNING! It is essential to read this manual before using the welding helmet. Follow site specific OHS regulations. In the case of any incorrect operation or doubt as to how to use the helmet correctly, report it to your supervisor or contact local authorised technical service.**

- It is forbidden to use the helmet at variance with its intended use.
- Always assess operability of the welding helmet prior to work. The helmet is unfit for use if it has damage, fogged surface, discolouration, scratches and cracks of the protective glass or helmet. Replace the helmet or glass with a new one. **CAUTION! Only genuine and appropriate parts may be used as replacements.**
- Select an appropriate filter shade to the type of work that will be performed.
- In the case of any incorrect operation of the helmet, especially auto darkening filter failure (for example: no darkening, too long darkening delay, too early clearance), damage to helmet body, etc. immediately cease work and report the problem to a supervisor or contact local authorised technical service.
- The helmet does not protect against objects at high speed.
- The helmet does not protect against corrosive or explosive substances.
- Do not put the helmet or auto darkening filter on hot surfaces.
- During operation, keep the external protective plate installed. Using the helmet without the external protective plate may damage the helmet and render warranty void.
- Replace the external protective glass regularly. Use original glasses.
- Avoid positions where spatter and radiation may affect unprotected body parts (overhead welding). Use additional protection if possible.
- Protect the filter against liquids and dirt. Avoid contact with water or excessive humidity.

- Before each use, clean dirt off the helmet and make sure the optical sensors and solar cells in the front are not obstructed.
- Protect the helmet and its components against solvents. Clean with soft, moist cloth.



**WARNING! Product warranty is void and user's bodily safety compromised in the case of any modification of the welding helmet, unintended use, or failure to follow this manual.**

#### 6. BEFORE USE:

The helmet is delivered to you assembled and ready to be used. Nevertheless, the following is necessary before use:

1. Before the first use of the welding helmet, remove protective film from the auto darkening filter. Otherwise the shade may be incorrect or the filter may not work.
2. Make sure the helmet is fit for the planned type of work and that all components of the helmet are in place, installed correctly and operational.
3. Adjust the headgear so that it is optimally fitted to the head.
4. Set the sensitivity, delay time, and shade of the welding filter correctly.

#### 7. HELMET ADJUSTMENT (see fig. C, p. 2):

Before use, adjust the helmet to ensure maximum protection and comfort of use.

Correct adjustment of the helmet provides the maximum protection of eyes against ultraviolet (UV) and infrared (IR) radiation.

##### ■ Band adjustment

The total circumference of operator's headgear can be reduced or increased with the knob at the back:

- To reduce the circumference, press the **A** knob and rotate it clockwise.
- To increase the circumference, press the **A** knob and rotate it counterclockwise.

The circumference is set correctly when the helmet does not fall off operator's head and it does not exert excessive pressure on the head.

Helmet positioned too high may make the shell fall; helmet positioned too low may be uncomfortable. The optimum position of the helmet on operator's head may be set with the **B** band in the upper part of the headgear.

Verify band adjustment by putting the helmet up and down when fitted on the head. If the band is adjusted correctly, the helmet should be stable

on operator's head. If positioning is incorrect, readjust the band.

#### ■ **Helmet-to-face distance adjustment:**

To adjust this distance, unscrew mounting nuts **C** and put the screws through square holes **D** in headgear frame to move the helmet closer to or further from the face. When the right distance is set, tighten the nuts **C**.

**NOTE!** Perform the adjustment for both sides of the helmet. The smallest possible filter-to-eye distance is recommended for the best sharpness.

#### ■ **Helmet angle adjustment**

If helmet angle is not right for the operator, it may be adjusted:

- Loosen mounting screws **C**.
- Change helmet angle.
- Tighten mounting screws **C**.

**CAUTION!** The correct helmet angle protects against spatter and radiation reaching operator's chin.

### 8. USE:

#### ■ **Helmet power source**

The helmet is powered with two lithium CR2032 3 V batteries charged by solar cells. It provides battery life of 5000 hours under normal operating conditions.

Filter power is automatically controlled by optical sensors.

The internal control panel has the TEST button, which can be used to control correct operation of helmet systems (the operation mode switch should be set to welding), and an LEDy indicator for empty batter. The low voltage diode is off when power provided to the filter is sufficient. When the diode is on, the batteries should be replaced.

#### ■ **Helmet shade selection:**

Find the right shade for your welding process in the table on page 4 and set the operation mode and shade knob **5** (see Fig **C**) to the appropriate position **9–13**.

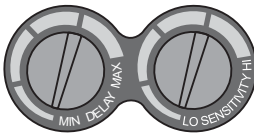
During grinding, set the knob **5** to **SZLIFOWANIE/GRIND** and turn off the shade.



#### ■ **Setting sensitivity and clearing time after welding:**

Upon welding, the filter automatically switches from clear to dark in 1/25,000 s.

Stepless regulation of filter sensitivity to electric arc can be set with the **CZUŁOŚĆ/SENSITIVITY** knob on the filter cartridge. Higher settings (**HI**) are recommended for low currents or TIG welding; lower values (**LO**) are recommended for high currents or MIG/MAG welding.



The operator may adjust clearing delay time with the **OPŹNIENIE/DELAY** knob located on the filter cartridge near the **CZUŁOŚĆ/SENSITIVITY** knob. With this knob, you can set the filter reaction time between 0.1 s and 1.0 s.

The delay compensates for afterglow on the workpiece. MIN (minimum delay), MAX (maximum delay).

### 9. TROUBLESHOOTING:

#### 1. Erratic shading

a) The headband was set incorrectly and the eye-to-filter distance varies (readjust the headband to rectify the difference in the distance).

#### 2. The auto darkening filter does not get dark or it flickers.

- a) The front glass is dirty or damaged (clean or replace).
- b) Sensors are dirty (clean sensors).
- c) Welding current too low (set the sensitivity switch to MAX).
- d) Batteries are empty (replace batteries).

#### 3. Slow reaction

a) Too low operating temperature (do not use the helmet below -5°C).

#### 4. Poor vision

- a) Front/internal glass and/or filter dirty (clean or replace).
- b) Insufficient lighting (provide adequate lighting).
- c) Incorrect filter shade set (check the recommended shades specified in this manual and set the correct one).

#### 5. The helmet slides off my head

a) The headband is not adjusted correctly (readjust).

### 10. MAINTENANCE AND STORAGE:

Perform careful maintenance on the helmet on a regular basis. It will keep it in a good condition.

The product should be stored in provided unit packaging in a dark, dry, ventilated, and locked room. Store in temperatures of -20° C to +70° C. Protect the product against dust, particulate, and other contaminants (foil bags etc.). Protect against mechanical damage. Transport in the provided unit packaging, in boxes, in closed vehicles.

#### ■ **Cleaning**

Clean the filter with a clean and soft cloth or cotton.

Do not submerge the helmet and filter in water. Never use abrasive substances, solvents, or oil-based detergents.

Do not open the filter cartridge by yourself. The filter cartridge may be disassembled by authorised service or qualified technician. Otherwise the warranty is rendered void.

#### ■ **Replacing the protective glass:**

In order to ensure long and fault-free operation of the filter, it is forbidden to use the helmet without polycarbonate protective glasses. Replace the front protective glass on a regular basis. Hitting spatter tarnishes it, which is a natural phenomenon.

In order to replace the protective glass, remove the auto darkening filter cartridge and pull the glass towards the inside of the helmet.

**CAUTION!** The filter element should be replaced and installed by qualified and competent personnel only.

#### ■ **Replacing the filter batteries**

If the LOW BATTERY diode is on, replace the batteries with new ones.

The batteries are located in two independent compartments in the filter cartridge. In order to replace the batteries, rotate and remove a compartment lid. Remove a used battery and put a new one in.

Close the lid and repeat for the other battery.

**CAUTION!** Replace the batteries only in twos. Do not use a used and new battery at the same time.

## PROTECTION OF THE ENVIRONMENT:



**CAUTION!** The symbol nearby denotes that old equipment must never be thrown away together with other waste (with the penalty of a fine). Hazardous components of electronic equipment may adversely affect the natural environment and human health.

Each household may contribute to the recovery and reuse (recycling) of old machinery and equipment. Both in Poland and Europe a system for recovery of used equipment either exists or is being created. The system obliges all organizations that sell such equipment to collect the used machinery and appliances. Moreover, general purpose collecting points for such equipment are available.

## 11. FILTER SYMBOLS:

**MODEL: ADF GX-8005** – model of the auto darkening filter;

**CAN/CSA Z94.3** – Canadian safety standard;

**ANSI Z87.1** – American safety standard;

**4/9-13 GX 1/1/1/2/379 CE** – marking of a welding filter with manual setting of protection degree, where:

**4** – number of clear state; **9** – number of the brightest dark state; **13** – number of the brightest state; **GX** – manufacturer's symbol; **1** – optical class; **1** – diffusion of light class; **1** – variation of luminous transmittance class; **2** – angle dependency class; **379** – number of European standard for auto darkening welding filters EN 379, **CE** – sign of conformity with new approach Directives.

## IMPORTER / AUTHORIZED REPRESENTATIVE:

Profix Sp. z o.o.,  
ul. Marywilka 34,  
03-228 Warszawa, Polska

## 12. WARRANTY:

In order to be provided a warranty service, the user has to return a defective product at the point of sale or to an authorised distributor or reseller of PROFIX where it was purchased. Learn about the return policy prior to returning a product. Usually, product identification data, including model number and serial number and a detailed description of the problem are necessary. A receipt that confirms the purchase and the validity of the warranty has to be submitted as well.

1. The warranty runs for two years following purchase.
2. Any defects found during the warranty period shall be removed free of charge within 14 business days after the product was delivered at seller's address. The warranty period is extended by the repair time.
3. A warranty card is valid if it contains purchase date, stamp of the point of sale, or a sales receipt.
4. In order for a product to be repaired, it has to be delivered at user's cost to the point of sale. After repair, the product shall be sent to the claimant at warrantor's cost.
5. The claimant should deliver the helmet appropriately protected against damage for transport.
6. The claimant shall be liable for the helmet being lost during delivery to the point of sale and the warrantor is obliged to deliver a repaired helmet to the claimant and shall be liable for it being lost during transport.
7. During the warranty period, damaged equipment shall be repaired by the warrantor or replaced with new one that is the same and undamaged free of charge. If it is impossible to repair or replace the device with a new one, the claimant may have the amount paid returned or select a different device with similar specification and features. Any financial discrepancies shall be compensated by the warrantor or the claimant depending on the price of the selected device.
8. This warranty covers defects that occurred during appropriate use or were caused by factory defects and does not apply to consumables or other additional equipment.
9. The warranty does not cover defects that resulted from:
  - Repairs, modifications, or changes in the structure made by the user or other unauthorised persons.
  - Mechanical, thermal, chemical damage or deliberate damage.
  - Helmet storage and maintenance and other damage attributable to the user.
  - Decreased product quality that results from wear and tear, e.g. abrasion of the external coating, scratches, broken glass, etc.
  - Damage caused by improper and unintended use.

The warrantor may refuse to accept a claim if the sales document has a formal defect, such as not filled in warranty card, no purchase receipt, etc.

## SERVICE CENTRE ADDRESS:

**Profix Sp. z o.o.**

ul. Dobra 3

Łomna-Las

05-152 Czosnów

**e-mail:** [serwis@profix.com.pl](mailto:serwis@profix.com.pl) **tel.** 022 785 96 75

.....  
**Purchase data and stamp of the seller**



The policy of the PROFIX company consists in permanent improvements of the offered products and therefore the company reserves the right to make amendments to the product specification without a prior notice. The images included into the operation manual are only of the exemplary nature and may slightly differ from actual appearance of the device purchased. This instruction manual is protected by copyright. Copying it without the written consent of PROFIX Co. Ltd. is prohibited.



**DLA BEZPIECZEŃSTWA UŻYTKOWANIA NALEŻY  
DOKŁADNIE PRZECZYTAĆ INSTRUKCJĘ UŻYTKOWANIA  
PRODUKTU.**

**Zachowaj instrukcję do ewentualnego przyszłego wykorzystania.**

### 1. PRZEZNACZENIE I CHARAKTERYSTYKA PRODUKTU:

Przyłbica spawalnicza z automatycznym filtrem samościemniającym **LAHTI PRO L1540500** przeznaczona jest do ochrony twarzy i oczu przed iskrami, odpryskami i szkodliwym promieniowaniem podczas spawania. Spełnia wymagania norm EN 379:2003+A1:2009, EN 175:1997 oraz Rozporządzenia 2016/425.

Adres strony internetowej, na której można uzyskać dostęp do deklaracji zgodności UE: [www.lahtipro.pl](http://www.lahtipro.pl)

Badania przyłbicy przeprowadzono: **DIN CERTCO Gesellschaft für Konformitätsbewertung mbH**, Alboinstraße 56, 12103 Berlin, Germany. Nr jednolitej notyfikowanej: 0196.

Przyłbicę można stosować również, jako środek ochrony osobistej podczas drobnych i krótkotrwałych prac szlifierskich (szlifowanie powierzchni metalowych przy użyciu tarcz listkowych). Nie nadaje się do ochrony osobistej podczas procesu cięcia metali tarczami szlifierskimi.

Przyłbica wyposażona jest w duży wizjer o wymiarach 100x50 mm. Automatyczny filtr zaciemniający po zajarzeniu łuku samoczynnie zmienia się z jasnego na ciemny, a po zakończeniu spawania ponownie staje się jasny.

Przyłbica zapewnia kompletną ochronę przed promieniowaniem UV/IR (ultrafioletowe/podczerwone), nawet wówczas gdy filtr jest rozjaśniony. Dwa fotoczuJNIKI gwarantują poprawną pracę przyłbicy w każdych warunkach i położeniu.

Przyłbica jest gotowa do natychmiastowego użytkowania, wymaga jedynie dopasowania do rozmiaru głowy spawacza oraz doboru i nastawy właściwych parametrów użytkowych.



**UWAGA! Przyłbica spawalnicza spełnia normy w zakresie bezpieczeństwa spawania. Tylko przeszkoleni spawacze powinni jej używać.**

**Bezpieczne używanie tego produktu wymaga właściwego wyszkolenia w zakresie spawalnictwa. Nie używać maski bez szkła ochronnego lub bez filtra.**

**Nie używać maski jeśli jakkolwiek jej część jest uszkodzona. Używać w zakresie temperatur otoczenia od -5°C do +55°C.**



#### OSTRZEŻENIE!

**Przyłbica spawalnicza nie jest odpowiednia do cięcia palnikami laserowymi i acetylenotlenowymi. Przyłbica nie stanowi ochrony przed substancjami wybuchowymi lub żrącymi.**

**Przyłbica nie stanowi ochrony przed mocnymi uderzeniami, np. tarcz szlifierskich.**

**Nigdy nie kłaść przyłbicy na rozgrzanych powierzchniach.**

### 2. BUDOWA PRZYŁBICY:

Samościemniająca przyłbica spawalnicza zbudowana jest z trzech podstawowych modułów:

- korpusu przyłbicy, wykonanego z termu stabilnego, odpornego na

zżycie polimeru, w który nie wtapiają się odpryski spawalnicze;

- zespołu zawiasowego z nagłowiem;
- filtra samościemniającego.

#### ■ Elementy przyłbicy (patrz rys. A, str. 2):

1. Korpus przyłbicy
2. Nagłowie regulowane
3. Mechanizm dopasowania nagłowia do obwodu głowy
4. Mechanizm regulacji kąta pochylenia przyłbicy oraz odległości pomiędzy oczami spawacza a szybką filtra ochronnego
5. Pokrętko ustawienia trybu pracy i stopnia zaciemniania
6. Zewnętrzna szybka ochronna
7. Kasetka filtra
8. Wewnętrzna szybka ochronna

#### ■ Elementy filtra samościemniającego (patrz rys. B, str. 2):

1. Przycisk TEST
2. Regulacja czasu rozjaśniania po spawaniu
3. Regulacja czułości
4. Wewnętrzna szybka ochronna
5. Komora baterii
6. Wskaźnik rozładowania baterii
7. Ogniwa solarne
8. UV/IR filtr
9. FotoczuJNIKI

### 3. DANE TECHNICZNE:

MODEL	L1540500
Zasilanie:	ogniwa solarne + 2x litowe CR2032 baterie wymienne
Włączanie/wyłączanie zasilania	automatyczne
Wymiar pola widzenia	100x50 mm
Rozmiar filtra	110x90x10 mm
Stopień zaciemnienia w stanie jasnym	4 wg DIN
Stopień ochrony przed promieniowaniem UV/IR	Stały - 16 wg DIN
Zakres stopni zaciemnienia	9-13 wg DIN
Opóźnienie przełączenia- jasny/ciemny	1/25000 s
Opóźnienie przełączenia- ciemny/jasny	0.1~1.0 s
Czułość/opóźnienie	plynna regulacja
Temperatura pracy	od -5°C do +55°C
Temperatura przechowywania	od -20°C do +70°C
Ilość fotoczuJNIKÓW łuku	2
Funkcja „szlifowanie”	tak
Materiał przyłbicy	poliamid, polipropylen, polietylen
Samokontrola filtra	tak
Masa całkowita	480g
Wymiary pudełka	330x230x230 mm

#### 4. REKOMENDOWANE STOPNIE ZACIEMIENIA:

W poniższej tabeli przedstawione są rekomendowane stopnie przyciemnienia dla określonej metody spawalniczej i wartości prądu spawania. Na dobór stopnia przyciemnienia filtra mają również wpływ:

- rodzaj metalu rodzimego;
  - stopień oświetlenia (wartości podane w tabeli są odpowiednie dla uśrednionych warunków pracy, przy których odległość oczu operatora od jeziora spawalniczego wynosi ok. 50 cm, a średnie natężenie oświetlenia wynosi ok. 100 lx);
  - ustawienie operatora względem płomienia lub łuku elektrycznego.
- W zależności od tego czy spawacz pochyla się nad spawanym przedmiotem lub pracuje z wyciągniętymi rękoma, może być potrzebna

zmiana co najmniej o jeden stopień zaciemnienia;

– czynnik ludzki (wartości podane w tabeli są odpowiednie dla operatorów o normalnym wzroku. Osoby z wadami wzroku powinny dobrać wartość stopnia zaciemnienia wg. indywidualnych potrzeb, stosując na przemian kolejne większe lub mniejsze stopnie zaciemnienia);

– dla prac wykonywanych na wolnym powietrzu w silnym świetle słonecznym, zalecane jest zwiększenie stopnia zaciemnienia o co najmniej jeden;

W zależności od warunków, w jakich odbywa się proces spawania, może zaistnieć konieczność zwiększenia/zmniejszenia stopnia przyciemnienia.

PROCES SPAWANIA	NATĘŻENIE PRĄDU (A)																					
	1,5	6	10	15	30	40	60	70	100	125	150	175	200	225	250	300	350	400	450	500	600	
SMAW	8						9		10		11		12		13			14				
MAG	8						9		10		11		12		13			14				
TIG	8				9		10		11		12		13									
MIG metali ciężkich							9		10		11		12		13		14					
MIG stopów lekkich									10		11		12		13		14					
SAW									10		11		12		13		14		15			
PAC									9		10		11		12		13					
PAW	4	5	6	7	8	9	10	11	12	13	14	15	16	17	18	19	20	21	22	23	24	25

#### ■ objaśnienie skrótów:

**SMAW** – spawanie elektrodą otuloną

**MAG** – spawanie elektrodą topliwą w osłonie gazu aktywnego chemicznie;

**TIG** – spawanie elektrodą wolframową w osłonie gazu obojętnego;

**MIG** – spawanie elektrodą topliwą w osłonie gazu obojętnego;

**SAW** – złozenie elektro-powietrzne;

**PAC** – cięcie strumieniem plazmowym;

**PAW** – spawanie łukiem mikroplazmy.

#### 5. ZASADY BEZPIECZNEGO UŻYTKOWANIA:



**UWAGA!** Przed użyciem przyłbicy spawalniczej należy bezwzględnie zapoznać się z niniejszą instrukcją obsługi. Należy przestrzegać zasad BHP panujących w zakładzie pracy. W przypadku stwierdzenia jakichkolwiek nieprawidłowości w funkcjonowaniu przyłbicy, wątpliwości dotyczących jej prawidłowego użycia, należy zgłosić to przełożonemu lub skontaktować się z lokalnym autoryzowanym serwisem.

- Zabronione jest użytkowanie przyłbicy niezgodnie z przeznaczeniem.
- Przed każdym przystąpieniem do pracy należy dokonać oceny sprawności technicznej przyłbicy spawalniczej. Przyłbica traci przydatność do użycia, jeżeli występują uszkodzenia, zmatowienia, przebarwienia, zarysowania oraz pęknięcia szybki ochronnej lub przyłbicy. W takim przypadku przyłbicę lub szybkę należy wymienić na nową. **UWAGA!** Tylko oryginalne i właściwie dobrane części mogą być użyte na wymianę.
- W zależności od procesu spawalniczego, do jakiego przystępuje użytkownik, dobrać odpowiedni stopień przyciemnienia filtra.
- W przypadku stwierdzenia jakichkolwiek nieprawidłowości w funkcjonowaniu przyłbicy, w szczególności niepoprawnego działania filtra samościennejącego (na przykład: brak zaciemnienia filtra,

zbyt późne zaciemnienie, zbyt wczesne rozjaśnienie), uszkodzenia korpusu przyłbicy, szybki itp. należy natychmiast przerwać pracę i zgłosić problem do przełożonego lub skontaktować się z lokalnym autoryzowanym serwisem.

- Przyłbica nie chroni przed uderzeniami rozprzeczonych przedmiotów.
- Przyłbica nie stanowi ochrony przed substancjami żrącymi ani wybuchowymi.
- Nie wolno kłaść przyłbicy oraz filtra samościennejącego na gorącej powierzchni.
- W trakcie pracy przyłbicy, zawsze musi być zamontowana zewnętrzna szybka ochronna. Praca bez zamontowanej zewnętrznej szybki ochronnej może skutkować awarią przyłbicy i utratą gwarancji.
- Regularnie wymieniać zewnętrzną szybką ochronną. Używać oryginalnych szyb.
- Należy unikać pozycji, które umożliwiają dostanie się odprysków spawalniczych i promieniowania do niebezpiecznych części ciała (spawanie nad głową). Jeśli jest to niemożliwe należy zastosować dodatkowe zabezpieczenie.
- Chronić filtr przed cieczami lub brudem. Unikać kontaktu z wodą lub nadmierną wilgocią.
- Przed każdym użyciem należy oczyścić przyłbicę z zabrudzeń i sprawdzić, czy fotoczujniki i ogniwa słoneczne umieszczone na froncie przyłbicy nie są zakryte.
- Chronić przyłbicę i jej elementy przed rozpuszczalnikami, do czyszczenia używać miękkiej wilgotnej szmatki.



**UWAGA!** Dokonywanie jakichkolwiek modyfikacji przyłbicy spawalniczej, używanie jej niezgodnie z przeznaczeniem, nie stosowanie się do zaleceń podanych w tej instrukcji, naraża użytkownika na obrażenia ciała, oraz skutkuje utratą gwarancji.



## 6. PRZYGOTOWANIE DO UŻYTKOWANIA:

Przyłbica jest dostarczana w stanie zmontowanym i gotowym do użycia. Jednak przed rozpoczęciem użytkowania należy wykonać następujące czynności:

1. Przy pierwszym użyciu przyłbicy spawalniczej operator powinien zdjąć folię ochronną z filtra samozaciemniającego, w innym przypadku stopień zaciemnienia może być nieprawidłowy lub filtr może nie działać.
2. Upewnić się, że przyłbica nadaje się do planowanej pracy oraz, że wszystkie elementy przyłbicy znajdują się na swoim miejscu, są prawidłowo zamontowane oraz działają prawidłowo.
3. Dokonać regulacji nagłowia z zespołem zawiasowym, aby była optymalnie dopasowana do głowy użytkownika.
4. Dokonać odpowiednich ustawień czułości, czasu zwłoki oraz poziomu zaciemnienia filtra spawalniczego.

## 7. DOPASOWANIE PRZYŁBICY (patrz rys. C, str. 2):

Przed użyciem przyłbicę należy wyregulować w celu zapewnienia maksymalnej ochrony i komfortu użytkownika.

Dzięki prawidłowemu ustawieniu przyłbicy uzyskuje się maksymalną ochronę oczu przed promieniowaniem ultrafioletowym (UV) oraz podczerwonym (IR).

### ■ Regulacja opaski

Obwód całkowity opaski na głowę operatora można zwiększać lub zmniejszać poprzez pokrętkę znajdującą się w tylnej części opaski:

– Aby zmniejszyć obwód, należy wcisnąć pokrętkę **A** i obracać go w prawo.

– Aby zwiększyć obwód, należy wcisnąć pokrętkę **A** i obracać go w lewo. Prawidłowe ustawienie obwodu opaski jest wtedy, gdy przyłbica spawalnicza nie spada z głowy operatora, a opaska nie powoduje nadmiernego ucisku.

Zbyt wysokie umiejscowienie przyłbicy na głowie operatora może powodować spadanie maski, zbyt niskie umiejscowienie przyłbicy może powodować niewygodę w użytkowaniu. Optymalne umiejscowienie przyłbicy na głowie operatora można ustawić poprzez opaskę **B**, mieszczącą się w górnej części nagłowia.

Należy sprawdzić dopasowanie opaski na głowę podnosząc i opuszczając kilkakrotnie przyłbicę, kiedy znajduje się na głowie. Jeżeli opaska jest prawidłowo wyregulowana przyłbica powinna trzymać się stabilnie głowy operatora. W przypadku stwierdzenia nieprawidłowości ponownie wyregulować opaskę.

### ■ Regulacja odległości pomiędzy przyłbicą, a twarzą operatora:

W tym celu zwolnić nakrętki mocujące **C** i przełożyć śruby przez kwadratowe otwory **D** w mocowaniu nagłowia, przesuwając przyłbicę bliżej lub dalej od twarzy. Po ustawieniu dokręcić nakrętki **C**.

**UWAGA!** Regulacji należy dokonać po obu stronach przyłbicy. W celu uzyskania najlepszej ostrości zaleca się jak najmniejszą odległość pomiędzy filtrem a oczami.

### ■ Regulacja kąta opuszczenia przyłbicy

Jeżeli kąt nachylenia maski nie jest odpowiedni dla operatora, można dokonać jego regulacji:

- Poluzować nakrętki mocujące **C**.
- Dokonać zmiany ustawienia kąta nachylenia przyłbicy.
- Dokręcić nakrętki mocujące **C**.

**UWAGA!** Prawidłowy kąt nachylenia przyłbicy zabezpiecza przed dostawianiem się odprysków i promieniowania w kierunku podbródka operatora.

## 8. UŻYTKOWANIE:

### ■ Zasilanie przyłbicy

Zasilanie przyłbicy odbywa się poprzez dwie baterie litowe CR2032 3V ładowane ogniwami solarnymi. W normalnych warunkach spawania zapewnia to żywotność baterii na 5000 godzin pracy.

Włączanie i wyłączanie filtra jest automatycznie kontrolowane przez fotoczuJNIKI.

Na wewnętrznym panelu sterowniczym znajduje się przycisk „TEST” pozwalający sprawdzić poprawność działania automatyki przyłbicy oraz diodowy wskaźnik stanu rozładowania baterii. Dioda niskiego napięcia nie działa, gdy zasilanie filtra jest wystarczające. Świecenie się diody sygnalizuje konieczność wymiany baterii.

### ■ Wybór poziomu zaciemnienia przyłbicy:

Korzystając z tabeli na str. 4 wybrać poziom zaciemnienia odpowiedni dla danego procesu spawania i przestawić pokrętkę ustawienia trybu pracy i stopnia zaciemnienia **5** (patrz rys. C) na odpowiednią pozycję **9-13**.

Podczas szlifowania należy ustawić pokrętkę **5** na pozycję **SZLIFOWANIE/GRIND**, wyłączając zaciemnienie.

### ■ Ustawienie czułości i czasu rozjaśniania po spawaniu:

W momencie rozpoczęcia spawania filtr automatycznie zmienia się z jasnego na ciemny w ciągu 1/25000 s.

Płynna regulacja czułości filtra na łuk elektryczny realizowana jest pokrętkiem **CZUŁOŚĆ/SENSITIVITY** umieszczonym na kasecie filtra. Dla niskich prądów lub metody TIG zalecane są wyższe nastawy (**HI**), dla prądów wysokich lub metody MIG/MAG wartości niższe (**LO**).



Operator ma możliwość regulacji czasu zwłoki przełączania filtra z ciemnego na jasny przy pomocy pokrętki **OPÓZNIENIE/DELAY** umieszczonej na kasecie filtra obok pokrętki regulacji czułości – **CZUŁOŚĆ/SENSITIVITY**. Pokrętło to umożliwia płynną regulację czasu reakcji filtra od 0,1 s do 1,0 s.

Czas zwłoki kompensuje efekt poświaty powstały na elemencie spawanym. Ustawienie **MIN** (minimalna wartość czasu zwłoki), **MAX** (maksymalna wartość czasu zwłoki).

## 9. ROZWIĄZYWANIE PROBLEMÓW:

### 1. Nieregularne zaciemnianie

- a) Opaska na głowę została ustawiona nieprawidłowo i występuje nierówna odległość od oczu do szyby filtra (zmienić ustawienie opaski na głowę, aby zmniejszyć różnicę odległości od filtra).

### 2. Filtr samościemniający nie zaciemnia się lub występuje migotanie.

- a) Szyba przednia jest zabrudzona lub uszkodzona (*wyczyścić lub wymienić*).
- b) Czujniki są zabrudzone (*wyczyścić powierzchnię czujników*).
- c) Prąd spawania jest zbyt niski (*przełączyć przełącznik czułości do położenia "HI"*).
- d) Baterie zasilające wyczerpały się (*wymienić baterie*).

### 3. Wolna reakcja

- a) Temperatura robocza jest zbyt niska (*nie używać przyłbicy w temperaturze poniżej -5°C*).

### 4. Słaba widoczność

- a) Szyba przednia / wewnętrzna i/lub filtr są zabrudzone (*wyczyścić lub wymienić*).
- b) Oświetlenie otoczenia jest niewystarczające (*oświetlić prawidłowo*).
- c) Nieprawidłowo ustawiony stopień zaciemnienia filtra (*sprawdzić zalecane stopnie zaciemnienia podane w tej instrukcji i ustawić prawidłowo*).

### 5. Przyłbica zsuwa się z głowy

- a) Opaska na głowę nie jest wyregulowana prawidłowo (*wyregulować opaskę*).

## 10. KONSERWACJA I PRZECHOWYWANIE:

Należy regularnie i starannie dokonywać prac konserwacyjnych przyłbicy. Pozwoli to na zachowanie maski w dobrym stanie technicznym.

Wyrób należy przechowywać w dostarczonych opakowaniach jednostkowych w ciemnym, suchym, przewiewnym i zamkniętym pomieszczeniu. Podczas przechowywania, nie przekraczać zakresu temperatur od -20 st. C. do +70 st. C. Chronić przed kurzem, pyłem i innymi zanieczyszczeniami (worki foliowe, torebki itp.) Chronić przed uszkodzeniami mechanicznymi. Transport - w dostarczanych opakowaniach jednostkowych, w kartonach, w zamkniętych środkach transportu.

#### ■ Czyszczenie

Filtr zczyścić można przy pomocy czystej i gładkiej szmatki lub materiału bawełnianego.

Nie zarucać przyłbicy i filtra w wodzie i nigdy nie używać środków ściągających, rozpuszczalników i detergentów na bazie oleju.

Nie otwierać kasety filtra samodzielnie. Kasetę filtra może zostać rozmontowana przez autoryzowany serwis lub wykwalifikowaną osobę. W innym wypadku dojdzie do utraty gwarancji.

#### ■ Wymiana szybki ochronnej:

W celu zapewnienia wieloletniej bezawaryjnej pracy filtra zabronione jest używanie przyłbicy pozbawionej poliwęglanowych szybki ochronnych. Należy regularnie wymieniać frontową szybkę ochronną, która ulega naturalnemu zmatowieniu w wyniku uderzenia o nią

odprysków podczas spawania.

W celu wymiany szybki ochronnej należy najpierw wymontować kasetę filtra samościemniającego, a następnie wyjąć szybkę w kierunku wnętrza przyłbicy.

**UWAGA!** Wymiany i instalacji wkładu filtrującego, powinien dokonywać wykwalifikowany i przeszkolony personel.

#### ■ Wymiana baterii zasilających filtr

Jeśli zaświeci się wskaźnik diodowy oznaczony „LOW BAT” należy wymienić baterie na nowe.

Baterie umieszczone są w dwóch niezależnych komorach na kasecie filtra. W celu wymiany baterii należy obrócić i zdjąć pokrywę komory. Zużyta baterię wyjąć z komory i zastąpić ją nową.

Zamknąć pokrywę i powtórzyć opisaną powyżej operację z drugą baterią.

**UWAGA!** Baterie wymieniać tylko parami. Nie mieszać baterii zużytej z nową.

#### OCHRONA ŚRODOWISKA:



**UWAGA!** Przedstawiony symbol oznacza zakaz umieszczenia zużytego sprzętu łącznie z innymi odpadami (z zagrożeniem kary grzywny). Składniki niebezpieczne znajdujące się w sprzęcie elektrycznym i elektronicznym wpływają negatywnie na środowisko naturalne i zdrowie ludzi.

Gospodarstwo domowe powinno przyczyniać się do odzysku i ponownego użycia (recyklingu) zużytego sprzętu. W Polsce i w Europie tworzony jest, lub już istnieje, system zbierania zużytego sprzętu, w ramach którego wszystkie punkty sprzedaży ww. sprzętu mają obowiązek przyjmować zużyty sprzęt. Ponadto istnieją punkty zbiórki ww. sprzętu.

## 11. OBJAŚNIENIE OZNACZEŃ FILTRA:

**MODEL: ADF GX-8005** – model filtra samościemniającego;

**CAN/CSA Z94.3** – kanadyjska norma bezpieczeństwa;

**ANSI Z87.1** – amerykańska norma bezpieczeństwa;

**4/9-13 GX 1/1/1/2/3/79 CE** – oznakowanie filtra spawalniczego z ręcznym ustawianiem stopnia ochrony, gdzie:

**4** - nr stanu jasnego; **9** - nr najjaśniejszego stanu ciemnego; **13** - nr stanu najmciemniejszego; **GX** – kod producenta, **1** - klasa optyczna; **1** - klasa rozproszenia światła; **1** - klasa odchylenia współczynnika przepuszczania światła; **2** - klasa zależności współczynnika przepuszczania światła od kąta; **379** - nr normy europejskiej dotyczącej automatycznych filtrów spawalniczych EN 379, **CE** - znak zgodności z dyrektywami nowego podejścia WE.

#### IMPORTER/UPOWAŻNIONY PRZEDSTAWICIEL:

Profix Sp. z o.o.,  
ul. Marywiłska 34,  
03-228 Warszawa, Polska



Polityka firmy PROFIX jest polityką stałego udoskonalania swoich produktów i dlatego firma rezerwuje sobie prawo zmiany specyfikacji wyrobu bez uprzedniego zawiadomienia. Obrazki, podane w instrukcji obsługi, są przykładowe i mogą się nieznacznie różnić od rzeczywistego wyglądu zakupionego urządzenia.

Niniejsza instrukcja jest chroniona prawem autorskim. Kopiowanie/ powielanie jej bez pisemnej zgody firmy Profix Sp. z o.o. jest zabronione.

## 12. GWARANCJA:

Aby skorzystać z usługi gwarancyjnej, można zwrócić wadliwy produkt w punkcie zakupu albo u autoryzowanego dystrybutora lub sprzedawcy produktów firmy PROFIX, od którego dany produkt został zakupiony. Przed zwrotem produktu należy uzyskać informacje o zasadach zwrotu. Zazwyczaj należy uwzględnić informacje umożliwiające identyfikację produktu, łącznie z numerem modelu i numerem seryjnym, oraz szczegółowy opis zgłoszonego problemu. Należy również dołączyć dowód zakupu w punkcie sprzedaży detalicznej, potwierdzający, że okres gwarancyjny nie został zakończony.

1. Gwarancja na produkt obejmuje dwa lata od daty zakupu.
2. Wady ujawnione w okresie gwarancji będą bezpłatnie usuwane w terminie 14 dni roboczych od daty dostarczenia produktu pod adres firmy sprzedającej, a okres gwarancji ulega przedłużeniu o czas trwania naprawy.
3. Karta gwarancyjna jest ważna, jeżeli posiada wpisana datę zakupu, pieczęć punktu sprzedaży lub załącznik w postaci dowodu zakupu.
4. W celu dokonania naprawy gwarancyjnej należy dostarczyć produkt na własny koszt do punktu sprzedaży. Po wykonaniu naprawy produkt zostanie wysłany reklamującemu na koszt gwaranta.
5. Reklamujący powinien dostarczyć przyłbicę odpowiednio zabezpieczoną przed uszkodzeniem w czasie transportu.
6. Reklamujący odpowiada za ewentualne zaginięcie przyłbicy w czasie dostarczenia, gwarant natomiast zobowiązuje się dostarczyć naprawioną przyłbicę do reklamującego i odpowiada za jej ewentualne zaginięcie w czasie transportu.
7. W okresie gwarancyjnym uszkodzony sprzęt zostanie bezpłatnie naprawiony, lub wymieniony przez gwaranta na taki sam, wolny od wad. W przypadku, gdy naprawa, bądź wymiana urządzenia na nowe jest niemożliwa, reklamującemu przysługuje prawo do zwrotu zapłaconej kwoty, lub wyboru innego sprzętu o podobnych walorach i specyfikacji. Ewentualna różnica pieniężna zostanie uregulowana przez gwaranta, bądź przez reklamującego, w zależności od kosztu wybranego przez reklamującego przedmiotu.
8. Niniejsza gwarancja obejmuje usterki sprzętu wynikłe w trakcie poprawnej eksploatacji lub spowodowane defektami produkcyjnymi i nie stosuje się do materiałów eksploatacyjnych lub innego wyposażenia dodatkowego.
9. Gwarancja nie obejmuje wad wynikłych na skutek:
  - Samowolnych, dokonywanych przez użytkownika lub inne nieupoważnione osoby napraw, przeróbek lub zmian konstrukcyjnych.
  - Uszkodzeń mechanicznych, termicznych, chemicznych lub celowego uszkodzenia sprzętu.
  - Przechowywania i konserwacji przyłbicy oraz innych uszkodzeń powstałych z winy użytkownika.
  - Obniżania się, jakości produktu spowodowane naturalnym procesem zużycia np. ścierania się zewnętrznej powłoki produktu, zarysowanie, pęknięcia szkielek, itp.
  - Uszkodzeń powstałych w wyniku nieprzestrzegania zasad prawidłowej eksploatacji, a także użytkowania sprzętu niezgodnie z jego przeznaczeniem.

Gwarant również może odmówić przyjęcia reklamacji w przypadku wady formalnej, związanej z dokumentami sprzedaży, jak niewypełniona karta gwarancyjna, brak dowodu zakupu, itp.

.....  
**Data zakupu i pieczęć sprzedawcy**

### ADRES SERWISU:

**Profix Sp. z o.o.**

ul. Dobra 3

Łomna-Las

05-152 Czosnów

**e-mail:** serwis@profix.com.pl

**tel.** 022 785 96 75



## ИНСТРУКЦИЯ ПО ЭКСПЛУАТАЦИИ СВАРОЧНЫЙ ШЛЕМ С АВТОМАТИЧЕСКИ ЗАТЕМНЯЮЩИМСЯ СВЕТОФИЛЬТРОМ L1540500

Перевод оригинальной инструкции



**С ЦЕЛЬЮ БЕЗОПАСНОСТИ ПОЛЬЗОВАНИЯ НЕОБХОДИМО ВНИМАТЕЛЬНО ПРОЧИТАТЬ ИНСТРУКЦИЮ ПО ЭКСПЛУАТАЦИИ ИЗДЕЛИЯ.**

**Храните инструкцию для возможного применения в будущем.**

### 1. НАЗНАЧЕНИЕ И ХАРАКТЕРИСТИКА ИЗДЕЛИЯ:

Сварочный шлем с автозатемняющимся светофильтром **LAHTI PRO L1540500** предназначен для защиты лица и глаз от искр, брызг и вредного излучения при сварке. Отвечает требованиям стандартов EN 379:2003+A1:2009, EN 175:1997 и Постановления 2016/425.

Адрес веб-сайта, на котором можно получить доступ к декларации соответствия ЕС: [www.lahtipro.pl](http://www.lahtipro.pl)

Испытания шлема выполнены в: **DIN CERTCO Gesellschaft für Konformitätsbewertung mbH**, Alboinstraße 56, 12103 Berlin, Германия. № нотифицированного органа: 0196.

Шлем можно использовать также, как средство индивидуальной защиты при мелких и кратковременных шлифовальных работах (шлифовка металлической поверхности при помощи лепестковых шлифкругов). Не пригоден в качестве средства индивидуальной защиты при резке металла шлифовальными кругами.

Шлем оснащён большим смотровым окном размером 100x50 мм. Автозатемняющийся светофильтр после появления сварочной дуги автоматически темнеет, а после окончания сварки – вновь светлеет.

Шлем обеспечивает полную защиту от УФ- и ИК-излучения (ультрафиолетового / инфракрасного излучения), даже без затемнения. Два фотодатчика обеспечивают надлежащую работу шлема в каждом условии и позиции.

Шлем готов к немедленному применению, требуется только подогнать его к размеру головы сварщика, а также выбора и настройки соответствующих эксплуатационных параметров.



**ВНИМАНИЕ! Сварочный шлем соответствует стандартам безопасности при сварке.**

**Для безопасного применения этого изделия, необходимо пройти соответствующее обучение в области сварки. Его могут использовать только обученные сварщики.**

**Не использовать изделия без защитного стекла или без светофильтра.**

**Не использовать изделие, если какая-либо его часть повреждена. Эксплуатировать при температуре в пределах от -5 °C до +55 °C.**



**ПРЕДУПРЕЖДЕНИЕ! Сварочный шлем не пригоден для работ по лазерной резке или резке ацетиленовыми горелками. Шлем не является средством защиты от взрывоопасных или едких веществ.**

**Шлем не является средством защиты от сильных ударов, напр. шлифовальным кругом.**

**Ни в коем случае не класть шлем на разогретую поверхность.**

### 2. КОНСТРУКЦИЯ СВАРОЧНОГО ШЛЕМА:

Автозатемняющийся сварочный шлем состоит из трёх основных частей:

- корпус шлема, выполненного из термостабильного полимера, стойкого к износу, в который не вплавляются образующиеся при сварке брызги металла;
- шарнирное устройство с оголовьем;
- автозатемняющийся светофильтр.

#### ■ Элементы шлема: (см. рис. А, стр. 2):

1. Корпус шлема
2. Регулируемое оголовье
3. Механизм регулировки оголовья по размеру головы
4. Механизм регулировки угла наклона шлема и расстояния между глазами сварщика и стеклом защитного светофильтра
5. Переключатель режима работы и степени затемнения
6. Внешнее защитное стекло
7. Кассета светофильтра
8. Внутреннее защитное стекло

#### ■ Элементы автозатемняющегося светофильтра (см. рис. В, стр. 2):

1. Кнопка ТЕСТ
2. Регулировка времени задержки просветления после сварки
3. Регулировка чувствительности
4. Внутреннее защитное стекло
5. Отсек батарейки
6. Индикатор разрядки батарейки
7. Солнечные элементы
8. УФ/ИК-светофильтр
9. Фотодатчик

### 3. ТЕХНИЧЕСКИЕ ПАРАМЕТРЫ:

МОДЕЛЬ	L1540500
<b>Электропитание:</b> солнечные элементы + 2 литиевые сменные батареи CR2032	
Включение / выключение электропитания	автоматическое
Размер поля видения	100x50 мм
Размер светофильтра	110x90x10 мм
Степень затемнения в светлом состоянии	4 DIN
Степень защиты от УФ/ИК-излучения	Постоянная, 16 DIN
Пределы регулировки степени затемнения	9-13 DIN
Задержка переключения «светлый–тёмный»	1/25000 с
Задержка переключения «тёмный–светлый»	0.1~1.0 s
Чувствительность/задержка	плавная регулировка
Рабочая температура	от -5°C до +55°C
Температура хранения	от -20°C до +70°C

Количество фотодатчиков дуги	2
Функция «шлифовка»	есть
Материал шлема	полиамид, полипропилен, полиэтилен
Автоконтроль светофильтра	есть
Полный вес	480г
Размеры коробки	330x230x230 мм

#### 4. РЕКОМЕНДУЕМЫЕ СТЕПЕНИ ЗАТЕМНЕНИЯ:

В имеющейся ниже таблице представлены рекомендуемые степени затемнения для конкретного метода сварки и величины тока сварки. Выбор степени затемнения светофильтра также зависит от:

- вида основного металла;
- уровня освещённости (указанные в таблице значения соответствуют средним условиям работы, при которых расстояние

от глаз оператора до сварочной ванночки составляет ок. 50 см, а средняя освещённость составляет ок. 100лк);

- расположения оператора относительно пламени или электрической дуги. В зависимости от того, работает ли сварщик наклоняясь над свариваемым предметом или работает с вытянутыми руками, может быть необходимо изменение затемнения по крайней мере на одну степень;

- человеческий фактор (указанные в таблице значения соответствуют операторам с нормальным зрением. Лица с нарушением зрения должны подобрать значение степени затемнения в соответствии с индивидуальными потребностями, применяя по очереди большую или меньшую степень затемнения);

- для работ, выполняемых на свежем воздухе при сильном солнечном освещении рекомендуется увеличение затемнения по крайней мере на одну степень;

В зависимости от условий, в которых производится сварка, может быть необходимо увеличения/уменьшения степени затемнения.

ПРОЦЕСС	СИЛА ТОКА (А)																				
	1,5	6	10	15	30	40	60	70	100	125	150	175	200	225	250	300	350	400	450	500	600
<b>SMAW</b>	8						9	10	11	12	13			14							
<b>MAG</b>	8						9	10	11			12			13			14			
<b>TIG</b>	8			9			10	11			12			13							
<b>MIG тяжёлых металлов</b>							9	10	11			12			13			14			
<b>MIG лёгких сплавов</b>							10			11			12			13			14		
<b>SAW</b>							10			11			12			13			15		
<b>PAC</b>							9			10			11			12			13		
<b>PAW</b>	4	5	6	7	8	9	10	11			12										

#### ■ Пояснение сокращений:

**SMAW** – сварка электродом спокрытием

**MAG** – сварка плавящимся электродом в среде химически активного газа;

**TIG** – сварка вольфрамовым электродом в среде инертного газа;

**MIG** – сварка плавящимся электродом в среде инертного газа;

**SAW** – сварка под флюсом;

**PAC** – резка плазменной струей;

**PAW** – микроплазменная дуговая сварка.

#### 5. ТЕХНИКА БЕЗОПАСНОСТИ ПРИ ЭКСПЛУАТАЦИИ:



**ВНИМАНИЕ!** Перед началом эксплуатации сварочного шлема следует обязательно ознакомиться с настоящей инструкцией по обслуживанию. Необходимо соблюдать правила техники безопасности и гигиены труда, действующие на предприятии. В случае выявления какой-либо неправильности в работе шлема, возникновения каких-либо сомнений относительно его надлежащего использования, необходимо сообщить об этом начальнику или связаться с ближайшим авторизованным сервисным пунктом.

- Запрещено применение шлема не по назначению.
- Прежде, чем приступить к работе, следует обязательно выполнить оценку технической исправности сварочного шлема. Шлем утрачивают пригодность к эксплуатации, если имеются повреждения, появятся матовые места, изменения окраски, царапины и трещины защитного стекла или самого шлема. В

этом случае шлем или стекло следует заменить новым.

**ВНИМАНИЕ!** Для замены можно использовать только оригинальные и правильно подобранные элементы изделия.

- В зависимости от выбранного способа сварки, пользователь должен подобрать соответствующую степень затемнения светофильтра.
- В случае выявления какой-либо неправильности в работе шлема, в частности неправильной работы автозатемняющегося светофильтра (например, отсутствие затемнения светофильтра, слишком большое время переключения в затемнённое состояние, преждевременное просветление светофильтра), повреждения корпуса шлема и т. п., необходимо немедленно прекратить работу и сообщить об этом начальнику или связаться с ближайшим авторизованным сервисным пунктом.
- Шлем не защищает от ударов быстролетающих предметов.
- Шлем не является средством защиты от едких или взрывоопасных веществ.
- Нельзя класть шлем и автозатемняющийся светофильтр на горячую поверхность.
- При работе со шлемом обязательно должно быть установлено внешнее защитное стекло. Работа без установленного внешнего защитного стекла может привести к выходу из строя шлема и потере гарантии.
- Следует регулярно заменять внешнее защитное стекло, использовать оригинальные стёкла.
- Следует избегать положения тела, при котором сварочные брызги и вредное излучение может попасть на незащищённые участки тела (сварка над головой). Если это невозможно, следует

применять дополнительную защиту.

- Защищать светофильтр от жидкостей и грязи. Избегать контакта сводой или чрезмерной влагой.
- Перед каждым использованием следует очистить шлем от загрязнения и проверить, не закрыты ли имеющиеся в передней части шлема фотодатчики и солнечные элементы.
- Защищать шлем и его элементы от растворителей. Чистку выполнять мягкой влажной тряпочкой.



**ВНИМАНИЕ!** Внесение каких-либо изменений в сварочный шлем, использование его не по назначению, несоблюдение указаний настоящей инструкции может вести к получению пользователем травмы тела, а также к потере гарантии.

## 6. ПОДГОТОВКА К ЭКСПЛУАТАЦИИ:

Шлем поставляется в собранном виде, готовый к эксплуатации. Однако, прежде чем приступить к эксплуатации, необходимо выполнить следующее:

1. При первом использовании сварочного шлема оператор должен снять защитную плёнку с автозатемняющегося свето-фильтра. В противном случае степень затемнения может быть неправильно или же светофильтр не будет функционировать.
2. Убедитесь, что шлем готов к планируемой работе, а также, что все элементы шлема находятся на своём месте, правильно установлены и правильно работают.
3. Выполнить регулировку оголовья с шарнирным механизмом, чтобы оно соответствовало размеру головы пользователя.
4. Выполнить соответствующую установку чувствительности, времени задержки и степени затемнения сварочного светофильтра.

## 7. РЕГУЛИРОВКА ШЛЕМА (см. рис. С, стр. 2):

Перед использованием необходимо отрегулировать шлем для обеспечения максимальной защиты и комфорта эксплуатации.

Благодаря правильной регулировке шлема достигается максимальная защита глаз от ультрафиолетового (УФ) и инфракрасного (ИК) излучения.

### ■ Регулировка оголовья

Полный обхват опоясывающего голову оператора ремешка оголовья можно увеличивать или уменьшать вращая регулировочную ручку, имеющуюся на задней части опоясывающего ремешка:

- Чтобы уменьшить обхват, нажать регулировочную ручку **A** и вращать её вправо.
- Чтобы увеличить обхват, нажать регулировочную ручку **A** и вращать её влево.

Правильный обхват имеется в том случае, если сварочный шлем не слетает с головы оператора, а опоясывающая лента не вызывает чрезмерного сдавливания.

В случае слишком высокого расположения шлема на голове оператора, маска может слетать, а при слишком низком расположении пользование шлемом может быть неудобным. Оптимальное расположение шлема на голове оператора можно установить с помощью опоясывающего ремешка **B**, имеющегося в верхней части оголовья.

Соответствие опоясывающего ремешка можно проверить

поднимая и опуская несколько раз шлем, когда он находится на голове. Если опоясывающий ремешок правильно отрегулирован, шлем должен стабильно удерживаться на голове оператора. В случае выявления некорректности, следует ещё раз отрегулировать опоясывающий ремешок.

### ■ Регулировка расстояния между шлемом и лицом оператора:

Для этого следует ослабить крепящие гайки **C** и переставить винты через квадратные отверстия **D** в креплении оголовья, перемещая шлем ближе к лицу или дальше от него. После регулировки закрутить гайки **C**.

**ВНИМАНИЕ!** Регулировку следует выполнять с обеих сторон шлема. Для достижения максимальной чёткости рекомендуется устанавливать минимальное расстояние между светофильтром и глазами.

### ■ Регулировка угла наклона шлема

Если угол наклона не является соответствующим для оператора, следует выполнить его регулировку:

- Ослабить крепящие гайки **C**.
- Изменить установку угла наклона шлема.
- Завернуть крепящие гайки **C**.

**ВНИМАНИЕ!** Правильный угол наклона шлема защищает от попадания сварочных брызг и вредного излучения в направлении подбородка оператора.

## 8. ЭКСПЛУАТАЦИЯ:

### ■ Электропитание шлема

Электропитание шлема осуществляется при помощи двух литиевых батареек CR2032 3В, заряжаемых при помощи солнечных элементов. При нормальных условиях сварки это обеспечивает работу батареек в течение 5000 часов.

Включение и выключение светофильтра осуществляется автоматически при помощи фотодатчиков.

На внутренней панели управления имеется кнопка «TEST», позволяющая проверить правильность работы автоматики шлема (переключатель работы должен быть установлен на «сварку») и светодиодный индикатор состояния разрядки батареек. Если электропитание достаточное, светодиод индикатора малого напряжения питания не светится. Свечение светодиода означает необходимость замены батареек.

### ■ Выбор степени затемнения шлема:

Для выбора степени затемнения, соответствующего данному способу сварки следует пользоваться таблицей на стр. 4, установить переключатель режима работы и степени затемнения **5** (смотри рис. С), в соответствующее положение: **9-13**.



При шлифовке следует установить ручку **5** в положение **ШЛИФОВКА/GRIND**, выключая затемнение.

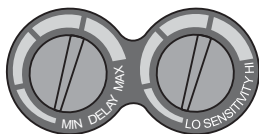
### ■ Установка чувствительности и времени просветления после сварки:

В момент начала сварки светофильтр автоматически переходит из светлого состояния в тёмное с темпом 1/25000 сек.

Плавная регулировка чувствительности светофильтра на свет

электрической дуги осуществляется ручкой **ЧУВСТВИТЕЛЬНОСТЬ/SENSITIVITY**, имеющейся на касете светофильтра.

При малой силе тока сварки или методе TIG рекомендуется более высокая настройка (**HI**), для большей силы тока сварки или метода MIG/MAG – более низкая (**LO**).



Оператор может регулировать время задержки переключения светофильтра из тёмного в светлое состояние при помощи ручки **ЗАДЕРЖКА/DELAY**, находящейся на касете светофильтра возле ручки регулировки чувствительности – **ЧУВСТВИТЕЛЬНОСТЬ/SENSITIVITY**. Эта ручка позволяет плавно регулировать время задержки в пределах от 0,1 с до 1,0 с.

Время задержки компенсирует эффект послесвечения имеющийся на свариваемом элементе. Установка MIN (минимальное время задержки), MAX (максимальное время задержки).

## 9. УСТРАНЕНИЕ НЕИСПРАВНОСТЕЙ:

### 1. Нерегулярное затемнение

- Неправильно отрегулирована опоясывающий голову ремешок оголовья и имеется различие в расстояниях между глазами и стеклом светофильтра (*отрегулировать опоясывающий ремешок, чтобы снизить различие в расстоянии до светофильтра*).

### 2. Автозатемняющийся светофильтр не затемняется или имеется мерцание.

- Повреждено или загрязнено переднее стекло (*очистить или заменить*).
- Загрязнены фотодатчики (*очистить поверхность фотодатчиков*).
- Слишком малая сила сварочного тока (*установить переключатель чувствительности в положение "MAX"*).
- Разрядились батарейки питания (*заменить батарейки*).

### 3. Медленная реакция

- Слишком низкая рабочая температура (*не пользоваться шлемом при температуре ниже -5°C*).

### 4. Плохая видимость

- Загрязнены переднее / внутреннее стекло и/или светофильтр (*очистить или заменить*).
- Недостаточное освещение окружающей среды (*обеспечить надлежащее освещение*).
- Неправильная установка степени затемнения светофильтра (*проверить рекомендуемые степени затемнения, указанные в настоящей инструкции*).

### 5. Шлем соскальзывает с головы

- Неправильно отрегулирован опоясывающий ремешок (*отрегулировать его*).

## 10. ТЕХНИЧЕСКИЙ УХОД И ХРАНЕНИЕ:

Необходимо регулярно и тщательно выполнять работы по техническому уходу за шлемом. Это позволит содержать изделие в хорошем техническом состоянии.

Изделие следует хранить в индивидуальной упаковке, в которой оно поставляется, в тёмном, сухом, проветриваемом и закрытом помещении. Температура хранения не должна выходить за пределы от -20°C до +70°C. Защищать от пыли и другого загрязнения (полиэтиленовые пакеты, сумки и т. п.). Защищать от механических повреждений. Транспортировка – в одиночной упаковке, в которой изделие было поставлено, картонной упаковке, в закрытых транспортных средствах.

### ■ Чистка

Светофильтр можно чистить чистой и гладкой тряпочкой или хлопчатобумажной тканью.

Не окунайте шлем и фильтр в воде и ни в коем случае не используйте абразивных средств, растворителей и моющих средств на основе масла.

Не открывать самостоятельно касету светофильтра. Касета светофильтра может быть разобрана в авторизованном сервисе или квалифицированным специалистом. В противном случае наступает потеря гарантии.

### ■ Замена защитного стекла:

Чтобы обеспечить многолетнюю безаварийную работу светофильтра запрещено использовать шлем без поликарбонатных защитных стёкол. Необходимо регулярно заменять защитное стекло, которое подвержено естественному помутнению (матовые места) в результате ударов сварочных брызг.

Для замены защитного стекла необходимо сначала демонтировать касету автозатемняющегося светофильтра, а затем извлечь стекло в направлении внутренней части шлема.

**ВНИМАНИЕ!** Замену и установку вкладыша светофильтра должен выполнять квалифицированный и обученный персонал.

### ■ Замена батареек питания светофильтра

Если начнёт светиться светодиодный индикатор „LOW BATTERY“ необходимо заменить батарейки.

Батарейки находятся в двух независимых отсеках на касете светофильтра. Для замены батарейки необходимо повернуть и снять крышку батарейного отсека. Извлечь разряженную батарейку из отсека и заменить новой.

Закрывать крышку и повторить эту операцию с другой батарейкой.

**ВНИМАНИЕ!** Батарейки заменяют только парами. Не смешивать разряженную батарейку с новой.

### ЗАЩИТА ОКРУЖАЮЩЕЙ СРЕДЫ:



**ВНИМАНИЕ!** Представленный символ означает, что запрещено размещать использованное оборудование вместе с другими отходами (за это грозит наказание в виде штрафа). Опасные компоненты, имеющиеся в электрическом и электронном оборудовании, отрицательно влияют на окружающую среду и здоровье.

Домашнее хозяйство должно способствовать восстановлению и повторному использованию (рециклированию) использованного оборудования. В Польше и в Европе создаётся или уже существует система сбора использованного оборудования, предусматривающая, что все пункты продажи в/у оборудования обязаны принимать использованное оборудование. Кроме того, имеются пункты приёма в/у оборудования.



## 11. ПОЯСНЕНИЕ ОБОЗНАЧЕНИЙ СВЕТОФИЛЬТРА:

**MODEL: ADF GX-800S** – модель автозатемняющегося светофильтра;

**CAN/CSA Z94.3** – канадский стандарт безопасности;

**ANSI Z87.1** – американский стандарт безопасности;

**4/9-13 GX 1/1/1/2/379 CE** – обозначение сварочного светофильтра с ручной установкой степени защиты, где:

**4** – значение светлого состояния; **9** – самое светлое значение затемнённого состояния светофильтра; **13** – значение самого тёмного состояния светофильтра; **GX** – символ производителя;

**1** – оптический класс; **1** – класс рассеивания света; **1** – класс

отклонения для коэффициента пропускания света; **2** – класс зависимости коэффициента пропускания света от угла; **379** – номер европейского стандарта, касающегося автоматических сварочных светофильтров – EN 379, **CE** – маркировка в соответствии с директивами нового подхода ЕС.

### **ИМПОРТЁР/УПОЛНОМОЧЕННЫЙ ПРЕДСТАВИТЕЛЬ:**

Profix Sp. z o.o.,

ul. Marywilska 34,

03-228 Warszawa, Польша



Политика компании PROFIX - это политика постоянного совершенствования своих изделий, поэтому компания сохраняет за собой право изменения спецификации изделия без предварительного уведомления. Изображения, имеющиеся в инструкции, являются примерными и могут незначительно отличаться от фактического вида приобретённого электроинструмента.

Настоящая инструкция по эксплуатации защищена авторскими правами. Запрещено её копирование и размножение без согласия ООО «ПРОФИКС».



## 12. ГАРАНТИЯ:

Чтобы воспользоваться гарантийным обслуживанием, Вы можете вернуть неисправный товар в месте покупки или авторизованного дистрибьютора или компании PROFIX, от которого данное изделие было приобретено. Прежде чем возвращать изделие, следует получить информацию о правилах возврата. Как правило следует указать сведения, позволяющие идентифицировать изделие, вместе с номером модели и серийным номером, а также подробное описание заявляемой неисправности. Необходимо также приложить подтверждение приобретения в пункте розничной продажи, подтверждающий что срок гарантии не истёк.

1. Гарантия предоставляется сроком на два года, считая от даты приобретения.
2. Дефекты, выявленные в гарантийный срок, будут бесплатно устранены а в течение 14 рабочих дней от даты поступления изделия на адрес компании-продавца, а гарантийный срок будет продлён на время выполнения ремонта.
3. Гарантийная карта является действительной, если в ней имеется вписанная дата приобретения, печать пункта продажи или приложение в виде документа, подтверждающего приобретение.
4. Для выполнения гарантийного ремонта необходимо доставить изделие за свой счёт в пункт продажи. После выполнения ремонта изделие будет отправлено лицу, предъявившему претензию по гарантии за счёт гаранта.
5. Предъявляющий претензию по гарантии должен доставить шлем так, чтобы он был соответствующим образом защищён от повреждения при транспортировке
6. Предъявляющий претензию по гарантии отвечает за возможную пропажу шлема при доставке, гарант же обязуется доставить отремонтированный шлем предъявляющему претензию и отвечает за её возможную пропажу при транспортировке.
7. В течение гарантийного срока повреждённое устройство будет бесплатно отремонтировано или заменено гарантом на аналогичное устройство, не имеющее дефектов. В том случае, если ремонт или замена устройства на новое будет невозможна, предъявляющий претензию по гарантии имеет право на возврат уплаченной суммы или на выбор другого устройства с аналогичными возможностями и характеристиками. Возможная разница в стоимости будет возмещена гарантом или предъявляющим претензию по гарантии, в зависимости от стоимости выбранного предъявляющим претензию предмета.
8. Настоящая гарантия распространяется на неисправности устройства, возникшие при правильной эксплуатации или связанные с производственными дефектами и не распространяется на эксплуатационные материалы или другое дополнительное оборудование.
9. Гарантия не распространяется на дефекты, возникшие в результате:
  - Самовольного ремонта, переработок изделия или внесения в него конструкционных изменений, выполненных пользователем или другим неуполномоченными лицами.
  - Механических, тепловых, химических повреждений или преднамеренного повреждения устройства.
  - Хранения шлема и технического ухода за ним, а также других повреждений, возникших по вине пользователя.
  - Снижения качества изделия в результате естественного износа, например истирания внешнего покрытия изделия, появления царапин, трещин в стёклах и т.п.
  - Повреждений, возникших в результате несоблюдения принципов правильной эксплуатации, а также использования устройства не по назначению.

Гарант может также отказаться принять претензию по гарантии в случае формального нарушения, связанного с документами продажи, напр. незаполненной гарантийной карты, при отсутствии документа, подтверждающего приобретение и т.п.

.....  
**дата покупки и печать продавца**

### АДРЕС СЕРВИСНОГО ПУНКТА ОБСЛУЖИВАНИЯ:

**Profix Sp. z o.o.**

ul. Dobra 3

Łomna-Las

05-152 Czosnów

**e-mail:** serwis@profix.com.pl

**tel.** 022 785 96 75

**RO****INSTRUCȚII DE FOLOSIRE  
MASCĂ DE SUDURĂ CU FILTRU AUTOMAT L1540500**

Traducere din instrucțiunea originală

**PENTRU SIGURANȚA ÎN UTILIZARE CITIȚI CU ATENȚIE  
INSTRUCȚIUNILE DE UTILIZARE A PRODUSULUI.****Păstrați aceste instrucțiuni pentru a le putea folosi****pe viitor.****1. DESTINAȚIA ȘI DESCRIEREA PRODUSULUI:**

Masca de sudură cu filtru automat heliomat **LAHTI PRO L1540500** este destinată pentru protejarea feței și a ochilor împotriva scânteilor, picăturilor de material și a radiațiilor periculoase generate în timpul sudării. Este conform cu standardul EN 379:2003+A1:2009, EN 175:1997 și Regulamentul 2016/425.

Adresa de internet la care poate fi accesată declarația de conformitate UE: [www.lahtipro.pl](http://www.lahtipro.pl)

Analizele măștii au fost efectuate în: **DIN CERTCO Gesellschaft für Konformitätsbewertung mbH**, Alboinstraße 56, 12103 Berlin, Germany. Nr. unitate notificată: 0196.

Masca poate fi utilizată, de asemenea, ca mijloc de protecție personală în timpul lucrărilor de dimensiuni mici și de scurtă durată de șlefuire (șlefuirea suprafețelor din metal cu ajutorul discurilor abrazive). Nu poate fi folosită drept mijloc de protecție personală pe durata tăierii de metale cu discuri pentru polizor.

Masca este dotată cu un vizor cu dimensiunile de 100x50 mm. Filtrul automat heliomat se închide la culoare după aprinderea arcului electric, iar după ce acesta se stinge se deschide din nou la culoare.

Masca asigură protecție integrală împotriva radiațiilor UV/IR (ultraviolete/infraroșu), chiar și atunci când filtrul este deschis la culoare. Cei doi fotosenzori garantează funcționarea corectă a măștii în orice condiție și poziție.

Masca este pregătită pentru a fi utilizată imediat, necesită doar ajustarea la mărimea capului sudorului, precum și selectarea și setarea parametrilor corespunzători de utilizare.

**ATENȚIE! Masca pentru sudură îndeplinește cerințele standardului din domeniul siguranței sudurii.**

**Utilizarea în condiții de siguranță a produsului necesită instruirea corespunzătoare despre modul de sudare. Doar sudorii autorizați trebuie să o utilizeze.**

**Nu utilizați masca fără sticla de protecție sau fără filtru.**

**Nu utilizați masca dacă orice parte a acesteia este deteriorată. Utilizați în intervalul de temperaturi ambientale între -5°C și +55°C.**

**ATENȚIE!**

**Masca pentru sudură nu este potrivită pentru tăiere cu arzătoare cu laser sau cu acetilenă și oxigen.**

**Masca nu asigură protecție împotriva substanțelor explozive sau corozive.**

**Masca nu asigură protecție împotriva loviturilor puternice, de ex. cu discuri de polizor.**

**Nu așezați niciodată masca pe suprafețe fierbinți.**

**2. CONSTRUCȚIA MĂȘTII:**

Masca pentru sudură cu filtru heliomat este alcătuită din trei module principale:

- carcasa măștii, fabricată din polimer termostabil, rezistent la uzură, în care nu se topească picăturile de material;
- ansamblu de balamale cu cască;
- filtru heliomat.

**■ Piesele căștii (vezi fig. A, pag. 2):**

1. Carcasă cască
2. Cască ajustabilă
3. Mecanism de ajustare a căștii la circumferința capului
4. Mecanism de ajustare a unghiului de înclinare a măștii și a distanței dintre ochii sudorului și geamul filtrului de protecție
5. Butonul de setare a modului de lucru și al nivelului de închidere la culoare
6. Geam extern de protecție
7. Casetă filtru
8. Geam intern de protecție

**■ Piesele filtrului heliomat (vezi fig. B, pag. 2):**

1. Buton TEST
2. Ajustarea duratei de deschidere la culoare după sudare
3. Ajustarea sensibilității
4. Geam intern de protecție
5. Compartiment pentru baterii
6. Indicator descărcare baterii
7. Celule solare
8. Filtru UV/IR
9. Fotosenzor

**3. DATE TEHNICE:**

MODEL	L1540500
<b>Alimentare:</b> celule solare + 2 baterii litiu schimbabile tip CR2032	
Pornirea/oprirea alimentării	automată
Dimensiunea câmpului de vedere	100x50 mm
Dimensiunea filtrului	110x90x10 mm
Gradul de închidere când este deschisă la culoare	4 cf. DIN
Nivel de protecție împotriva radiațiilor UV/IR	Constant -16 cf. DIN
Intervalul gradului de întunecare	9-13 cf. DIN
Întârzierea comutării - deschis/inchis	1/25000 s
Întârzierea comutării - închis/deschis	0.1 ~ 1.0 s
Sensibilitate/întârziere	ajustare lină
Temperatura de lucru	între -5°C și +55°C
Temperatura de depozitare	între -20°C și +70°C
Numărul de fotosenzori pentru arc	2
Funcția „șlefuire”	da
Material mască	poliamidă, polipropilenă, polietilenă
Autocontrol filtru	da
Masa totală	480g
Dimensiuni cutie	330x230x230 mm

#### 4. NIVELE RECOMANDATE DE ÎNTUNECARE:

În tabelul de mai jos sunt prezentate nivelele recomandate de întunecare pentru metoda respectivă de sudare și pentru valoarea curentului de sudură. Asupra nivelului de întunecare al filtrului au impact:

- tipul de metal de bază;
- nivelul de întunecare (valorile indicate în tabel sunt corespunzătoare pentru condițiile medii de lucru, în care distanța dintre ochii operatorului și sudură este de cca. 50 cm, iar intensitatea medie a iluminatului este de cca. 100 lx);
- poziția operatorului față de flacără și arc electric. În funcție de poziția pe care o ia sudorul, dacă se apleacă asupra obiectului de sudat

sau lucrează cu mâinile întinse, poate fi necesară schimbarea nivelului de întunecare a culorii cu cel puțin un grad de întunecare;

- factorul uman (valorile indicate în tabel sunt adecvate pentru operatorii cu vâz normal. Persoanele cu defect de vedere trebuie să aleagă nivelul de întunecare în funcție de necesitățile individuale, folosind alternativ nivel mai ridicat sau mai scăzut de întunecare);
- pentru lucrările efectuate în aer liber în caz de lumină solară puternică se recomandă creșterea nivelului de întunecare cu cel puțin un nivel;

În funcție de condițiile în care are loc sudarea poate fi necesar să creșteți/reduceți nivelul de întunecare;

PROCEDEUL DE SUDARE	INTENSITATEA CURENTULUI (A)																							
	1,5	6	10	15	30	40	60	70	100	125	150	175	200	225	250	300	350	400	450	500	600			
SMAW	8								9	10			11			12			13			14		
MAG	8							9	10	11			12			13			14					
TIG	8				9				10			11			12			13			14			
MIG metale grele	9								10			11			12			13			14			
MIG aliaje ușoare	10									11			12			13			14					
SAW	10									11			12			13			14			15		
PAC	9								10	11	12			13			14			15				
PAW	4	5	6	7	8			9	10			11			12			13			14			

#### ■ Explicare prescurtări:

**SMAW** – sudare cu electrod câptușit;

**MAG** – sudură cu electrod consumabil în gaz activ chimic;

**TIG** – sudură cu electrod de tungsten în gaz inert;

**MIG** – sudură cu electrod consumabil în gaz inert;

**SAW** – sudarea cu arc scufundat

**PAC** – tăiere cu jet de plasmă;

**PAW** – sudură cu arc de microplasmă.

#### 5. INSTRUCIUNI DE UTILIZARE ÎN CONDIȚII DE SIGURANȚĂ:



**ATENȚIE!** Înainte de a utiliza masca pentru sudură trebuie să citiți aceste instrucțiuni de utilizare. Trebuie să respectați regulile de protecție și igienă a muncii în vigoare în utilizare. În cazul în care se constată orice defecte legate de funcționarea măștii sau dubii legate de funcționarea corectă a acesteia trebuie să informați despre acest lucru superiorul sau să luați legătura cu un service local autorizat.

- Se interzice utilizarea măștii în mod neconform cu destinația.
- Înainte de a începe lucrul trebuie să evaluați dacă masca de sudură este eficientă tehnic. Masca nu mai poate fi utilizată dacă apar defecțiuni, decolorări, zgărieturi și fisuri ale geamului de protecție sau ale măștii. În acest caz masca sau geamul trebuie schimbate cu unele noi. **ATENȚIE!** Puteți folosi doar piese originale și corespunzător selectate pentru schimb.
- În funcție de procesul de sudare pe care îl va începe utilizatorul trebuie să selectați nivelul adecvat de întunecare al filtrului.
- În cazul în care se constată orice neregulă în funcționarea măștii, în special legate de funcționarea incorectă a filtrului heliomat (de exemplu: filtrul nu se întunecă, se întunecă prea târziu, se deschide prea repede la culoare), defectarea carcasei măștii etc. trebuie să încetați imediat lucrul și să informați despre această problemă superiorul sau să luați legătura cu un service local autorizat.

- Carcasa nu protejează împotriva loviturilor cauzate de obiectele în viteză.
- Masca nu asigură protecție împotriva substanțelor corozive sau explozive.
- Nu așezați niciodată masca și filtrul heliomat pe suprafețe fierbinți.
- Geamul extern de protecție trebuie să fie mereu montat în timpul lucrului. Lucrul fără geamul extern de protecție montat poate duce la avariarea măștii și la pierderea garanției.
- Schimbați geamul extern de protecție în mod regulat. Folosiți geamuri originale.
- Trebuie să evitați pozițiile care permit pătrunderea picăturilor de material și a radiațiilor pe părțile neprotejate din corp (sudare deasupra capului). În cazul în care acest lucru nu este posibil folosiți protecție adițională.
- Protejați filtrul de lichide sau mizerie. Evitați contactul cu apa sau umiditatea excesivă.
- Înainte de fiecare utilizare trebuie să curățați masca de mizerie și să verificați dacă fotosenzorii și celulele solare de pe partea frontală a măștii nu sunt acoperite.
- Protejați masca și piesele acesteia de diluanți, iar pentru curățare folosiți o lavetă moale umezită.



**ATENȚIE!** Efectuarea oricărei modificări asupra măștii pentru sudură, utilizarea acesteia în mod neconform cu destinația, nerespectarea recomandărilor din aceste instrucțiuni expune utilizatorul la leziuni corporale, precum și duce la pierderea garanției.

#### 6. PREGĂTIRE PENTRU UTILIZARE:

Masca este livrată în stare completă și este pregătită pentru utilizare. Totuși înainte de a începe utilizarea trebuie să efectuați următoarele activități:

1. La prima utilizare a măștii pentru sudură operatorul trebuie să dea jos folia de protecție de pe filtrul heliomat, în alt caz nivelul de întunecare poate fi incorect sau filtrul poate să nu funcționeze.

- Asigurați-vă că masca poate fi utilizată pentru lucrarea planificată, precum și că toate elementele măștii se află la locul lor, sunt montate corect și funcționează corect.
- Ajustați casca folosind ansamblul de balamale pentru ca aceasta să se potrivească la capul utilizatorului.
- Setați în mod corespunzător sensibilitatea, durata de întârziere și nivelul de întunecare al filtrului pentru sudură.

## 7. AJUSTAREA CĂȘTII (vezi fig. C, pag. 2):

Înainte de utilizare trebuie să o ajustați pentru a asigura protecția și confortul maxim de utilizare.

Ajustarea corectă a căștii asigură protecția maximă a ochilor împotriva razelor ultraviolete (UV) și infraroșii (IR).

### ■ Ajustarea benzii

Circumferința totală a benzii de pe capul operatorului poate fi mărită sau micșorată folosind butonul situat în partea posterioară a benzii:

- Pentru a micșora circumferința trebuie să apăsați butonul **A** și rotiți-l în dreapta.
- Pentru a micșora circumferința trebuie să apăsați butonul **A** și rotiți-l în stânga.

Circumferința benzii este setată corect atunci când masca pentru sudură nu cade de pe capul operatorului, iar banda nu strânge prea tare.

În cazul în care masca este așezată prea sus pe capul operatorului aceasta poate să cadă, iar dacă este amplasată prea jos atunci poate fi inconfortabilă la utilizare. Amplasarea optimă a măștii pe capul operatorului poate fi efectuată folosind banda **B**, situată în partea de sus a căștii.

Trebuie să verificați ajustarea benzii pe cap ridicând și coborând de câteva ori masca atunci când este fixată pe cap. În cazul în care banda este ajustată corect, masca ar trebui să fie amplasată stabil pe capul operatorului. În cazul în care constatați dificultăți trebuie să ajustați banda.

### ■ Ajustarea distanței între masca și capul operatorului:

Pentru a face acest lucru desfaceți piulițele de fixare **C** și introduceți șuruburile prin orificiile pătrate **D** în montura căștii, mișcând masca mai aproape sau mai departe de față. După ajustare înfiletați piulița **C**.

**ATENȚIE!** Efectuați ajustarea pe ambele părți ale măștii. Pentru a obține cea mai bună acuitate se recomandă păstrarea celei mai mici distanțe între filtru și ochi.

### ■ Ajustarea unghiului de coborâre a măștii

În cazul în care unghiul de înclinare a măștii nu este adecvat pentru operator puteți să-l ajustați:

- Desfiletați piulițele de fixare **C**.
- Schimbați setarea unghiului de înclinare al măștii.
- Înfiletați piulițele de fixare **C**.

**ATENȚIE!** Unghiul corect de înclinare al măștii protejează împotriva pătrunderii picăturilor și a radiațiilor în direcția bărbiei operatorului.

## 8. UTILIZARE:

### ■ Alimentarea măștii

Alimentarea măștii se efectuează folosind două baterii litiu CR2032 3V încărcate cu celule solare. În condițiile normale de sudare asigură o durată de viață a bateriei pentru 5000 de ore de lucru.

Pornirea și oprirea filtrului sunt controlate automat de fotosenzori.

Pe panoul extern de comandă se află butonul „TEST” care permite

verificarea corectitudinii de funcționare automată a măștii (comutatorul modului de lucru trebuie setat pe sudare) precum și indicatorul cu diode pentru nivelul de încărcare al bateriilor. Dioda de joasă tensiune nu funcționează atunci când alimentarea filtrului este suficientă. Dacă dioda se aprinde, atunci este necesar să schimbați bateriile.

### ■ Selectarea nivelului de întunecare a căștii:

Folosind tabelul de pe pag. 4 selectați nivelul de închidere la culoare corespunzător pentru procesul respectiv de sudare și setați butonul de setare a modului de lucru și al nivelului de închidere la culoare **5** (vezi des. C) la poziția corespunzătoare **9-13**.

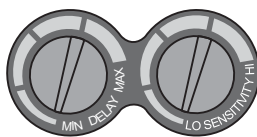


Atunci când șlefuiți trebuie să setați butonul 5 la poziția **ȘLEFUIRE/GRIND**, oprind închiderea la culoare.

### ■ Setarea sensibilității și duratei de deschidere la culoare după sudare:

Atunci când începeți să sudați filtrul se închide automat la culoare de la deschis către închis în decursul a 1/25000 s.

Ajustarea liberă a sensibilității filtrului la arcul electric se realizează cu butonul **SENSIBILITATE/SENSITIVITY** situat pe caseta filtrului. Pentru curenții mici sau pentru metoda TIG se recomandă setări mai ridicate (**HI**), pentru curenții cu valori ridicate sau metoda MIG/MAG se recomandă valori mai reduse (**LO**).



Operatorul are posibilitatea de a ajusta durata de întârziere a schimbării filtrului de la închis la deschis folosind butonul **ÎNȚĂRZIERE/DELAY** amplasat pe caseta filtrului lângă butonul de ajustare a sensibilității – **SENSIBILITATE/SENSITIVITY**. Acesta permite ajustarea ușoară a timpului de reacție a filtrului între 0,1 și 1,0 s.

Durata de întârziere compensează efectul de strălucire de pe piesa sudată. Setarea **MIN** (valoarea minimă a duratei de întârziere), **MAX** (valoarea maximă a duratei de întârziere).

## 9. SOLUȚIONAREA PROBLEMELOR:

### 1. Închidere la culoare neregulată

- Banda pentru cap așezată încorect și există o distanță inegală între ochi și geamul filtrului (schimbați setarea benzii pentru cap pentru a reduce diferențele de distanță față de filtru).

### 2. Filtrul heliomat nu se închide la culoare sau dîpește.

- Geamul frontal este murdar sau defect (curățați sau schimbați).
- Senzorii sunt murdari (curățați suprafața senzorilor).
- Curentul de sudare este prea redus (setați comutatorul de sensibilitate la poziția "MAX").
- Bateriile de alimentare s-au descărcat (schimbați bateriile).

### 3. Reacție lentă

- Temperatura de lucru este prea redusă (nu folosiți casca la o temperatură sub -5°C).

### 4. Vizibilitate slabă

- Geamul frontal / intern și/sau filtrul sunt murdare (curățați sau

schimbați).

- b) Iluminatul ambiental este insuficient (*iluminați în mod corect*).
- c) Nivelul de închidere la culoare al filtrului este setat incorect (*verificați nivelele recomandate de închidere indicate în aceste instrucțiuni și setați nivelul corect*).

#### 5. Masca de sudură cade de pe cap

- a) Banda pentru cap nu este ajustată corect (*ajustați în mod corect*).

#### 10. ÎNTREȚINERE ȘI DEPOZITARE:

Trebuie să efectuați în mod corect și cu atenție lucrările de întreținere a măștii. Acest lucru permite menținerea măștii în stare tehnică bună.

Produsul trebuie depozitat în ambalajele unitare furnizate într-o încăpere întunecată, uscată, ventilată și închisă. Pe durata depozitării nu depășiți intervalul de temperaturi între -20 gr. C. și +70 gr. C. Protejați împotriva prafului, pulberilor și a altor impurități (saci de folie, pungii etc.). Protejați împotriva defecțiunilor mecanice. Transportați în ambalajele unitare livrate, în cutii, în mijloace închise de transport.

##### ■ Curățare

Filtrul poate fi curățat cu o lavetă curată și netedă sau un material din bumbac.

Nu cufundați masca și filtrul în apă și nu folosiți niciodată agenți abrazivi, diluanți și detergenți bazați pe ulei.

Nu deschideți pe cont propriu caseta filtrului. Caseta filtrului poate fi demontată de un service autorizat sau de o persoană calificată. În alt caz se poate pierde garanția.

##### ■ Schimbarea geamului de protecție:

Pentru a asigura funcționarea îndelungată a filtrului se interzice utilizarea măștii fără ca geamurile de protecție din policarbonat să fie montate. Trebuie să schimbați în mod regulat geamul frontal de protecție care devine mată în mod natural cauzat de picăturile care o lovesc în decursul sudurii.

Pentru a schimba geamul de protecție trebuie să demontați mai întâi caseta filtrului heliomat, iar apoi scoateți geamul în direcția interiorului măștii.

**ATENȚIE!** Schimbarea și instalarea filtrului trebuie efectuată de persoane calificate și instruite corespunzător.

##### ■ Schimbarea bateriilor care alimentează filtrul

În cazul în care se aprinde indicatorul cu diode marcat cu „LOW BATTERY” trebuie să schimbați bateriile cu unele noi.

Bateriile sunt amplasate în două compartimente independente pe caseta filtrului. Pentru a schimba bateriile trebuie să rotiți și să scoateți capacul compartimentului. Scoateți bateria uzată din compartiment și înlocuiți cu una nouă.

Închideți capacul și repetați operațiunea descrisă mai sus cu cea de-a doua baterie.

**ATENȚIE!** Schimbați bateriile doar perechi. Nu amestecați baterii noi cu baterii uzate.

##### PROTECȚIA MEDIULUI ÎNCONJURĂTOR:



**ATENȚIE:** Simbolul prezentat înseamnă interdicția de a amplasa aparatul uzat împreună cu alte deșeurii (sub amenințarea unei amenzi). Componentele periculoase aflate în aparatul electric și electronic influențează negativ mediul natural și sănătatea oamenilor.

Fiecare gospodărie casnică trebuie să contribuie la redobândirea și refolosirea (recycling) aparatului uzat. Atât în Polonia, cât și în Europa se organizează sau deja există sistemul de culegere a aparatului uzat, în cadrul căruia toate punctele de vânzare a respectivei aparaturii sunt obligate să preia aparatul uzat. În plus, există centrele de colectare a acestuia tip de aparatură.

#### 11. EXPLICAREA MARCAJELOR FILTRULUI:

**MODEL: ADF GX-800S** – model filtru heliomat;

**CAN/CSA Z94.3** – standard canadian de siguranță;

**ANSI Z87.1** – standard american de siguranță;

**4/9-13 GX 1/1/1/2/379 CE** – marcajul filtrului de sudură cu setarea manuală a nivelului de protecție, unde:

**4** - nr. stare deschisă; **9** – nr. cea mai deschisă stare închisă; **13** – nr. cea mai închisă stare; **GX** – simbolul producătorului; **1** - clasa optică; **1** - clasa de dispersie a luminii; **1** - clasa de înclinare a coeficientului de pătrundere a luminii; **2** - clasa de dependență a coeficientului de pătrundere a luminii de unghi; **379** - nr. standardului european care se referă la filtre automate de sudură EN 379, **CE** - marcajul conformității cu directivele noii abordări ale CE.

##### IMPORTATOR/REPREZENTANT AUTORIZAT:

Profix Sp. z o.o.,

ul. Marywilska 34,

03-228 Warszawa, Polonia



Politica firmei PROFIX este aceea de perfecționare continuă a produselor sale și de aceea firma își rezervă dreptul de modificare a specificației produsului fără înștiințarea anterioară. Imaginile indicate în instrucțiunile de utilizare sunt doar exemple și se pot diferi puțin de aspectul real al dispozitivului achiziționat.

Prezenta instrucțiune este protejată prin dreptul de autor. Copierea/înmulțirea fără acordul în scris al firmei PROFIX Sp. z o.o. este interzisă.

## 12. GARANȚIE:

Pentru a folosi serviciul de garanție puteți atrage atenția că produsul este defect la punctul de achiziție sau la distribuitorul autorizat sau la comerciantul de produse de la compania ROMPROFIX, de la care a fost achiziționat produsul respectiv. Înainte de a returna produsul trebuie să obțineți informații despre regulile de returnare. De obicei trebuie să luați în considerare informațiile care permit identificarea produsului, împreună cu numărul modelului și numărul de serie, precum și cu descrierea detaliată a problemei notificate. De asemenea trebuie să atașați dovada de achiziție în punctul de vânzare en detail care confirmă faptul că perioada de garanție nu s-a terminat.

1. Garanția produsului este de doi ani de la data achiziției.
  2. Defectele detectate în perioada de garanție vor fi eliminate gratuit în decursul a 14 zile lucrătoare de la data livrării produsului la adresa comerciantului, iar perioada de garanție se prelungește cu durata de efectuare a reparației.
  3. Fișa de garanție este valabilă dacă prezintă data achiziției, ștampila punctului de comercializare sau anexa sub forma documentului de achiziție.
  4. Pentru a efectua reparația în perioada de garanție trebuie să livrați produsul pe cost propriu la punctul de comercializare. După realizarea acestei reparații produsul va fi trimis reclamantului pe costul garantului.
  5. Reclamantul trebuie să livreze masca protejată în mod corespunzător împotriva defectării în timpul transportului.
  6. Reclamantul este responsabil de pierderea eventuală a măștii pe durata livrării, garantul în schimb își asumă obligația de a livra masca reparată către reclamant și este responsabil de pierderea eventuală a acesteia pe durata transportului.
  7. În perioada de garanție echipamentul defect va fi reparat în mod gratuit sau schimbat de către garant cu unul asemănător, fără defecte. În cazul în care repararea sau schimbarea aparatului cu unul nou este imposibilă reclamantul are dreptul de a i se returna suma achitată sau să aleagă alt echipament cu valori și specificații similare. Eventuala diferență de bani va fi ajustată de către garant sau de către reclamant în funcție de costul obiectului selectat de reclamant.
  8. Prezenta garanție include defectele echipamentului care au apărut în decursul exploatării corecte sau cauzate de defecte de producție și nu se aplică la materiale de exploatare sau alte echipamente adiționale.
  9. Garanția nu include defectele suferite în urma:
    - Reparațiile, reconstruirile sau modificările construcție efectuate pe cont propriu de utilizator sau de persoane neautorizate.
    - Defecțiunile mecanice, termice, chimice sau defectarea voită a echipamentului.
    - Depozitarea și întreținerea incorectă a măștii și a altor defecțiuni apărute din vina utilizatorului.
    - Reducerea calității produsului cauzată de uzura naturală, de ex. uzura peliclei externe a produsului, zgărierea, fisurarea geamurilor, etc.
    - Defecțiunile apărute în urma nerespectării exploatării corecte, precum și a utilizării echipamentului în mod neconform cu destinația acestuia.
- De asemenea garantul poate refuza primirea reclamației în cazul unui defect formal, legat de documentele de vânzare, precum fișa de garanție incompletată, lipsa documentului de achiziție, etc.

.....  
**Data achiziției și ștampila comerciantului**

## ADRESĂ SERVICE:

### Profix Sp. z o.o.

ul. Dobra 3

Łomna-Las

05-152 Czosnów

e-mail: serwis@profix.com.pl

tel. 022 785 96 75



**SIKIANT UŽTIKRINTI SAUGŲ NAUDOJIMĄ, PRIEŠ PRADĖDAMI EKSPLOATUOTI, ATIDŽIAI PERSKAITYKITE PRODUKTO NAUDOJIMO INSTRUKCIJĄ.**

Išsaugokite šią instrukciją naudojimui ateityje.

### 1. PASKIRTIS IR SAVAYBĖS:

Automatiškai užtamsėjantis suvirintojo skydelis **LAHTI PRO L1540500** skirtas apsaugoti akis bei veidą nuo suvirinimo kibirkščių, purslų, ultravioletinių bei infraraudonųjų spindulių. Atitinka EN 379:2003+A1:2009, EN 175:1997 normos ir 2016/425 Reglamentas reikalavimus.

Interneto adresas, kuriuo galima rasti ES atitikties deklaraciją: [www.lahtipro.pl](http://www.lahtipro.pl)

Šalmo tyrimus atliko: **DIN CERTCO Gesellschaft für Konformitätsbewertung mbH**, Alboinstraße 56, 12103 Berlin, Germany. Notifikacijos nr: 0196.

Taip pat gali būti naudojamas atliekant smulkius šlifavimo darbus (metalo paviršių šlifavimas lapeliniais šlifavimo diskais). Nėra skirtas metalo pjovimo šlifavimo diskais darbams atlikti.

Skydelis turi didelį 100x50 mm stiklą. Automatiškai užtamsėjantis filtras elektros lankui užsidegus automatiškai pereina nuo šviesos iki tamsios būsenos ir vėl grįžta į šviesią būseną po suvirinimo.

Skydelis užtikrina nuolatinę apsaugą nuo UV/IR (ultravioletinių/infraraudonųjų) spindulių, nepriklausomai nuo to, ar filtras yra šviesus, ar užtamsėjęs. Du šviesos jutikliai užtikrina tinkamą skydelio veikimą bet kokiomis sąlygomis ir bet kokioje padėtyje.

Skydelis yra paruoštas naudojimui, būtina tik sureguliuoti jį pagal suvirintojo galvos dydį bei pasirinkti tinkamus darbo nustatymus.



**DĖMESIO!** Suvirintojo skydelis atitinka saugos standartus. Produktu naudotis gali tik profesionaliai apmokyti asmenys.

Skydelis skirtas kvalifikuotiems suvirintojams.

Suvirintojo skydelio negalima naudoti be apsauginio stiklo arba filtro.

Nesinaudokite skydeliu, jeigu jo dalys yra pažeistos.

Leidžiamas aplinkos temperatūros diapazonas nuo -5°C iki +55°C.



**ĮSPĖJIMAS!**

Suvirintojo skydelio negalima naudoti atliekant lazerinį bei dujinį pjovimą (deguonies acetilenas).

Skydelis neužtikrina apsaugos nuo ardančiųjų (ėsdinančių) bei sprogstamųjų medžiagų.

Skydelis neužtikrina apsaugos nuo stiprių smūgių, pvz. šlifavimo diskų smūgio.

Niekada nedėkite skydelio ant karštų paviršių.

### 2. KONSTRUKCIJA:

Automatiškai užtamsėjantis skydelį sudaro trys pagrindinės dalys:

- galvos dangalas, pagamintas iš termo stabilaus, atsparaus susidėvimui, mineralinio pluošto, prie kurio nelimpa suvirinimo purlai;

- galvos dirželis su sukimo mechanizmu;
- automatiškai užtamsėjancio filtro.

#### ■ Skydelio dalys (žiūrėk: pieš. A, puslapis 2):

- Galvos dangalas
- Reguliuojamas galvos dirželis
- Apimties reguliavimo mechanizmas
- Mechanizmas, reguliuojantis kampą ir atstumą tarp skydelio filtro stiklo ir dešinčiojo asmens akių
- Darbo režimo ir užtamsėjimo lygio rankenėlė
- Išorinis apsauginis stiklas
- Filtro kasėtė
- Vidinis apsauginis stiklas

#### ■ Automatiškai užtamsėjancio filtro elementai (žiūrėk: pieš. B, puslapis 2):

- TEST mygtukas
- Šviesėjimo reguliavimas
- Jautrumo reguliavimas
- Vidinis apsauginis stiklas
- Baterijų skyrelis
- Baterijos indikatorius
- Saulės elementas
- UV/IR filtras
- Šviesos jutiklis

### 3. TECHNINIAI DUOMENYS:

MODELIS	L1540500
Maitinimas: saulės elementas + 2x ličio CR2032 baterijos	
Maitinimo įjungimas/išjungimas	automatiškas
Regėjimo lauko matmenys	100x50 mm
Filtro dydis	110x90x10 mm
Tamsėjimo laipsnis šviesos būsenoje	4 pagal DIN
Apsaugos nuo UV/IR spinduliuotės laipsnis	pastovus - 16 pagal DIN
Užtamsėjimo lygių diapazonas	9-13 wg DIN
Šviesus/tamsus perjungimo vėlavimas	1/25000 s
Tamsus/šviesus perjungimo vėlavimas	0.1~1.0 s
Jautrumas/vėlavimas	sklandus reguliavimas
Darbinė temperatūra	nuo -5°C iki +55°C
Laikymo temperatūra	nuo -20°C iki +70°C
Lanko šviesos jutiklių kiekis	2
Darbo režimas „šlifavimas“	taip
Skydelio medžiaga	poliamidas, polietilena polipropilenas
Filtro savaiminė kontrolė	taip
Bendras svoris	480g
Dėžutės matmenys	330x230x230 mm

#### 4. UŽTAMSĖJIMO LYGIAI:

Norėdami nustatyti tinkamą užtamsėjimo lygį (užtamsėjimo lygis priklauso nuo suvirinimo metodo bei suvirinimo srovės dydžio) vadovaukitės žemiau pateikiama užtamsėjimo lygiu lentele. Nustatant filtro užtamsėjimo lygį taip pat būtina turėti omenyje:

- pirminio metalo tipą;
- apšvietimo laipsnį (lenteleje nurodytos vertės atitinka vidutines darbo sąlygas, kai atstumas tarp dėvinčiojo akių ir suvirinimo taško yra apie 50 cm, o vidutinis šviesos intensyvumas apie 100 lx);
- suvirintojo padėtį liepsnos arba elektros lanko atžvilgiu. Priklausomai

nuo to, ar suvirintojas dirba pasilenkęs, ar turi ištiestas rankas užtamsinimas gali skirtis bent vienu laipsniu;

- žmogiškaį veiksnį (lenteleje nurodytos vertės liečia asmenis be regėjimo sutrikimų; asmenys su regėjimo sutrikimais turi pasirinkti užtemimo lygį pagal individualius poreikius, naudojant iš eilės didesnį arba mažesnį užtamsėjimo lygį);
  - jeigu dirbama lauko sąlygomis, kai šviečia stipri saulė, rekomenduojama padidinti užtamsėjimo lygį bent vienu laipsniu;
- Priklausomai nuo sąlygų, kuriomis vyksta suvirinimo procesas, gali tekti padidinti/sumažinti užtamsėjimo lygį.

SVIRINIMO PROCESAS	ELEKTROS SROVĖS STIPRIS (A)																				
	1,5	6	10	15	30	40	60	70	100	125	150	175	200	225	250	300	350	400	450	500	600
SMAW	8			9			10			11			12			13			14		
MAG	8			9			10			11			12			13			14		
TIG	8			9			10			11			12			13			14		
Sunkiųjų metalų MIG	8			9			10			11			12			13			14		
Lengvųjų lydinių MIG	8			9			10			11			12			13			14		
SAW	8			9			10			11			12			13			14		
PAC	8			9			10			11			12			13			14		
PAW	4	5	6	7	8	9	10	11	12	13	14	15	16	17	18	19	20	21	22	23	24

#### ■ Santrumpų paaiškinimai:

- SMAW** – ekranizuoto metalo suvirinimas;
- MAG** – suvirinimas lydžiojuo elektrodu aktyviųjų dujų terpėje;
- TIG** – suvirinimas elektrodu volframo inertinių dujų terpėje;
- MIG** – suvirinimas lydžiojuo elektrodu inertinių dujų terpėje;
- SAW** – lankinio suvirinimo po foliusu;
- PAC** – pjovimas plazma;
- PAW** – lankinis suvirinimas mikoplazma.

#### 5. ATSARGUMO PRIEMONĖS:



**DĖMESIO! Prieš pradėdami naudoti suvirinimo skydelį, būtina atidžiai perskaityti šią instrukciją. Būtina laikytis visų darbo saugos reikalavimų. Skydelio netinkamo veikimo atveju arba iškilus klausimams dėl jo naudojimo, būtina pranešti apie tai savo vadovui arba kreiptis į vietinį įgaliotą remonto tinklą.**

- Draudžiama naudoti skydelį ne pagal paskirtį.
- Prieš pradėdami darbus, būtina patikrinti skydelio techninę būklę. Skydeliu negalima naudotis, jei jis yra pažeistas, drumstas, jo spalva yra pakitusi; ant apsauginio stiklo ir skydelio negali būti įbrėžimų arba įtrūkimų. Šiuo atveju būtina pakeisti skydelį arba apsauginį stiklą. **ĮSPĖJIMAS!** Naudokite tik originalias atsargines dalis.
- Filtro užtamsėjimo lygį būtina nustatyti pagal atliekamo suvirinimo tipą.
- Skydelio netinkamo veikimo atveju, ypač automatiškai užtamsėjančio filtro netinkamo veikimo atveju (pvz.: filtras netamsėja, tamsėja pavėluoti, per anksti prašviesėja), galvos dangalo pažeidimo atveju ir pan., būtina nedelsiant nutraukti darbą ir kreiptis į vadovą arba vietinį įgaliotą remonto tinklą.
- Skydelis neapsaugo nuo greitai skriejančių objektų.
- Skydelis neužtikrina apsaugos nuo ardančiųjų (ėsdinančių) bei progostamųjų medžiagų.
- Skydelio bei apsauginio filtro negalima dėti ant karštų paviršių.
- Darbo metu visada turi būti užmontuotas išorinis apsauginis stiklas.

Darbas be išorinio apsauginio stiklo gali būti skydelio gedimo priežastimi, o toks gedimas nelaikomas garantiniu.

- Reguliariai keiskite išorinį apsauginį stiklą. Naudokite tik originalius stiklus.
- Venkite padėčių, kai purlai ir spinduliuotė gali veikti neapsaugotas kūno dalis (svirinimas virš galvos). Jeigu tai nėra įmanoma, naudokite papildomas apsaugines priemones.
- Saugokite filtrą nuo skysčių ir nešvarumų. Venkite jo kontakto su vandeniu ir drėgme.
- Prieš kiekvieną naudojimą nuvalykite nešvarumus ir patikrinkite, ar šviesos jutikliai ir saulės elementai yra skydelio priekyje bei nėra uždengti.
- Venkite skydelio ir jo dalių kontakto su tirpikliais, skydelį valykite minkštu, drėgnu skudurėliu.



**DĖMESIO! Negalima keisti (modifikuoti) suvirinimo skydelio; skydelis naudojamas ne pagal paskirtį, šioje naudojimo instrukcijoje pateiktamų nuorodų nesilaikymas gali būti kūno sužalojimų bei garantijos praradimo priežastimi.**

#### 6. PARUOŠIMAS NAUDOJIMUI:

Skydelis pristatomas pilnai surinktas ir paruoštas naudoti. Tačiau prieš pradėdami jį naudoti atlikite šiuos veiksmus:

1. Prieš pirmąjį naudojimą pašalinkite užtamsėjančio filtro apsauginę foliją, nes kitaip užtamsėjimo lygis bus neteisingas arba filtras gali iš vis nesuveikti.
2. Įsitikinkite, kad skydelis tinka numatytiems darbams, o visi elementai yra tinkamai sumontuoti savo vietose ir veikia.
3. Sureguliuokite galvos dangalą bei sukimo mechanizmą, kad būtų optimaliai pritiktas prie vartotojo galvos dydžio.
4. Atlikite jautrumo, vėlavimo ir užtamsėjimo lygio nustatymus.

#### 7. SKYDELIO REGULIAVIMAS (žiūrėk: pieš. C, puslapis 2):

Prieš naudojimą skydelį būtina sureguliuoti, siekiant užtikrinti vartotojo maksimalią apsaugą ir komfortą.



Tinkamai sureguliuotas skydelis užtikrina maksimalią akių nuo ultravioletinių (UV) ir infraraudonųjų (IR) spindulių apsaugą.

#### ■ Dirželio reguliavimas

Galvos dirželio apskritimą galima padidinti arba sumažinti, sukant rankenėlę, esančią užpakalinėje dirželio dalyje:

- Norėdami sumažinti dirželio apskritimą, paspauskite rankenėlę **A** ir sukite ją į dešinę.
- Norėdami padidinti dirželio apskritimą, paspauskite rankenėlę **A** ir sukite ją į kairę.

Diržas yra tinkamai sureguliuotas, kai skydelis gerai laikosi ant galvos, o dirželis nespaudžia.

Per aukštai uždėtas skydelis gali nuslysti, per žemai uždėtą skydelį nepatogu dėvėti. Optimaliai sureguliuoti skydelį galima dirželiu **B**, esančiu viršutinėje galvos dangalo dalyje.

Dirželio sureguliovimą galima patikrinti kelis kartus jį pakeliant bei nuimant. Jeigu dirželis yra tinkamai sureguliuotas, skydelis turi laikytis stabiliai. Jeigu skydelis netinkamai sureguliuotas, dar kartą sureguliuokite dirželį.

#### ■ Atstumo tarp skydelio ir dėvinčiojo veido reguliavimas:

Norėdami sureguliuoti atstumą tarp veido ir skydelio, atlasvinkite fiksavimo veržles **C** ir įdėkite varžtus per keturkampes angas **D** galvos dangalo tvirtinimo vietoje, stumiant skydelį arčiau arba toliau nuo veido. Sureguliuavus, užsukite veržles **C**.

**DĖMESIO!** Reguliavimą būtina atlikti iš abiejų skydelio pusių. Siekiant užtikrinti kuo geresnį aštrumą, rekomenduojama nustatyti kuo mažesnę atstumą tarp filtro ir dėvinčiojo akių.

#### ■ Skydelio padėčių kampo reguliavimas

Skydelio padėčių kampo reguliavimas:

- Atsukite fiksavimo veržles **C**.
- Pakeiskite skydelio kampą.
- Užsukite fiksavimo veržles **C**.

**DĖMESIO!** Tinkamai sureguliuotas skydelio padėčių kampas saugo dėvinčiojo smakrą nuo purlų ir spinduliuotės.

### 8. NAUDOJIMAS:

#### ■ Skydelio maitinimas

Skydelis maitinamas dviem ličio baterijomis CR2032 3V, kurias pakrauna saulės elementai. Dirbant normaliomis sąlygomis baterijos gyvybingumas: 5000 valandų.

Filteras įsijungia ir išsijungia automatiškai. Šį procesą valdo šviesos jutikliai.

Vidaus valdymo panelyje yra „TEST“ mygtukas, kuris leidžia patikrinti ar skydelio automatika gerai veikia (darbo režimų jungiklis turi būti nustatytas į suvirinimą), taip pat čia yra LED baterijos indikatorius. Žemos įtampos LED šviesos diodas nedega, kai filtro maitinimas yra pakankamas. Degantis LED šviesos diodas rodo, kad baterija būtina pakeisti.

#### ■ Užtamsėjimo lygio nustatymas:

Vadovaudamiesi lentele 4 paslapyje pasirinkite užtamsėjimo lygį, atitinkantį suvirinimo proceso tipą ir nustatykite darbo režimo ir užtamsėjimo lygio rankenėlę **5** (žiūrėkite paveikslėlį **C**) ties atitinkamos padėties **9-13**.

Atliekant šlifavimo darbus būtina nustatyti rankeną **5** ties padėties

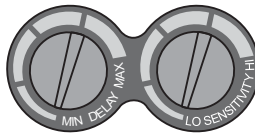


**ŠLIFAVIMAS/GRIND**, išjungti užtamsėjimo funkciją.

#### ■ Jautrumo ir prašviesėjimo laiko nustatymas:

Nuo suvirinimo darbų pradžios skydelis automatiškai užtemsta per 1/25000s.

Sklandus filtro jautrumo elektros lanko atžvilgiu reguliavimas atliekamas rankenėle **JAUTRUMAS/SENSITIVITY**, esančia filtro kasetėje. Žemai srovei arba TIG suvirinimui rekomenduojama nustatyti didesnį jautrumą (**HI**), aukštai srovei arba MIG/MAG suvirinimui – žemesnį (**LO**).



Filtero atstatymo iš tamsaus į šviesų vėlavimo laikas reguliuojamas rankenėle **VĒLAVIMAS P/DELAY**, esančia filtro kasetėje šalia rankenėlės **JAUTRUMAS/SENSITIVITY**. Rankenėlė leidžia sklandžiai reguliuoti filtro reakcijos laiką nuo 0,1s iki 1,0s.

Vėlavimo laikas kompensuoja atspindėjimo efektą suvirinamame paviršiuje. Nustatymas **MIN** (minimalus vėlavimo laikas), **MAX** (maksimalus vėlavimo laikas).

### 9. PROBLEMŲ SPRENDIMAS:

#### 1. Nereguliarus užtamsėjimas

a) Galvos dirželis netinkamai sureguliuotas – netinkamas atstumas tarp dėvinčiojo akių ir filtro (sureguliuoti galvos dirželį, siekiant sumažinti skirtumą tarp atstumo nuo filtro).

#### 2. Automatiškai užtamsėjantis filtras netamsėja arba mirksi.

- Priekinis stiklas riebaluotas, nešvarus arba pažeistas (išvalykite arba pakeiskite jį).
- Nešvarus jutikliai (išvalykite jutiklių paviršius).
- Suvirinimo srovė per maža (jautrumo jungiklį nustatykite iki "MAX" padėties).
- Maitinimo baterijos išsikrovę (pakeiskite baterijas).

#### 3. Lėtas veikimas

a) Naudojimo temperatūra per žema (nenaudokite skydelio žemesnėje nei -5°C temperatūroje).

#### 4. Blogas matomumas

- Priekinis/vidinis stiklas ir/arba filtras nešvarūs (išvalykite arba pakeiskite).
- Nepakankamas apšvietimas (užtikrinkite tinkamą apšvietimą).
- Netinkamai nustatytas filtro užtamsėjimo lygis (patikrinkite rekomenduojamus užtamsėjimo lygius ir tinkamai sureguliuokite).

#### 5. Skydelis nuslysta

a) Galvos dirželis netinkamai sureguliuotas (sureguliuokite dirželį).

#### 10. PRIEŽIŪRA IR LAIKYMAS:

Reguliariai bei kruopščiai atliekami priežiūros darbai padės palaikyti skydelį geroje techninėje būklėje.

Gaminį laikykite pristatytoje pakuotėje tamsioje, sausoje, gerai vėdinamoje ir uždaroje patalpoje. Laikymo temperatūra: nuo -20°C iki +70°C. Saugokite nuo dulkių bei kitų nešvarumų (maišeliuose ir pan.). Saugokite nuo mechaninių pažeidimų. Transportavimas - pristatytoje pakuotėje, kartono dėžėje, uždaroje transporto priemonėje.

### ■ Valymas

Filtrą valykite švari, medvilniniu skudurėliu.

Nenardinkite skydelio bei filtro į vandenį, nenaudokite abrazyvinių valikliu, tirpikliu ir aliejinio ploviklio.

Neatidarykite filtro kasetės. Filtro kasetė gali išmontuoti tik įgalioto remonto tinklo darbuotojas arba kvalifikuotas asmuo, nes gedimai atsiradę dėl išvardytos priežasties nelaikomi garantiniais.

### ■ Apsauginio stiklo keitimas:

Siekiant užtikrinti ilgalaikį filtro veikimą, draudžiama naudoti skydelį be apsauginių polikarbonato plokščių. Būtina reguliariai keisti priekinį apsauginį stiklą, kuris tampa matinis dėl pusrū. Apsauginis stiklas keičiamas išmontavus filtro kasetę, ir po to išimus stiklą (stumiant jį į skydelio vidų).

**DĖMESIO!** Filtro keitimą ir montavimą gali atlikti tik kvalifikuotas ir apmokytas asmuo.

**DĖMESIO!** Filtro keitimą ir montavimą gali atlikti tik kvalifikuotas ir apmokytas asmuo.

### ■ Baterijų keitimas

Jeigu LED diodas pažymėtas „LOW BATTERY“ dega, būtina pakeisti baterijas.

Baterijos yra dviuose, atskiruose skyriuose ant filtro kasetės. Norėdami pakeisti baterijas, apsukite ir nuimkite baterijos skyrelio dangtelį. Išimkite seną bateriją ir įdėkite naują.

Uždarykite baterijos skyrelio dangtelį bei pakartokite veiksmą kitoje pusėje ir pakeiskite antrą bateriją.

**DĖMESIO!** Baterijas keisti būtina poromis. Nenaudokite kartu naudotos ir naujos baterijos.

### 11. FILTRO ŽYMĖJIMŲ PAAIŠKINIMAS:

**MODEL: ADF GX-800S** – automatiškai užtamsėjančio filtro tipas;

**CAN/CSA Z94.3** – Kanados saugos standartas;

**ANSI Z87.1** – JAV saugos standartas;

**4/9-13 GX 1/1/1/2/379 CE** – suvirinimo filtro su rankiniu saugos reguliavimu žymėjimai, kai:

**4** – šviesos būsėnos numeris; **9** – ryškiausios užtamsėjimo būsėnos numeris; **13** – tamsiausios būsėnos numeris; **GX** – gamintojo simbolis;

**1** – optinė klasė; **1** – šviesos kategorijos išsklaidymas; **1** – šviesos perdavimo kategorijos pakitimai; **2** – kampo priklausomumo kategorija;

**379** – Europos standartas EN 379 (Asmeninė akių apsauga. Automatiniai suvirinimo filtrai), **CE** – atitikties ženklas pagal Naujojo požiūrio EB direktyvas.

### APLINKOS APSAUGA:



**DĖMESIO:** Pateiktas simbolis reiškia, kad panaudotas prietaisas draudžiama išmesti kartu su kitomis atliekomis (už pažeidimą gresia piniginė bauda). Panaudoti elektros prietaisai bei elektroninės dalis ir komponentai turi neigiamą poveikį aplinkai ir žmonių sveikatai.

Namų ūkis turėtų prisidėti prie panaudotos įrangos utilizavimo bei pakartotino medžiagų panaudojimo (perdirbimo). Lenkijoje ir Europoje yra kuriama arba jau veikia panaudotos įrangos surinkimo sistema. Todėl visi paminėtos įrangos pardavimo taškai yra įpareigoti priimti panaudotą įrangą. Be to yra specialūs panaudotos įrangos priėmimo taškai.

### IMPORTUOTOJAS/ĮGALIJOTAS ATSTOVAS:

Prefix Sp. z o.o.,  
ul. Marywilska 34,  
03-228 Warszawa, Lenkijos



**PROFIX** įmonė siekia tobulinti savo produktus, todėl gali keisti produktų specifikacijos. Apie šiuos pasikeitimus įmonė nėra įpareigota nepranešti. Paveikslėliai esantis aptarnavimo instrukcijoje tai tik pavyzdžiai bei gali skirtis nuo nusipirktu prietaisu.

Ši instrukcija yra apsaugojama autoriaus teise. Kopijavimas/plėtojimas be **PROFIX Sp. z o.o.** leidimo raštu draudžiamas.

## 12. GARANTUJA:

Norėdami gauti garantinį aptarnavimą, turite gražinti sugedusį produktą pirkimo vietoje arba įgaliotam PROFIX produktų pardavėjui. Prieš tai būtina gauti informaciją apie priekinių gražinimo sąlygas. Atsižvelgiama į šiuos duomenis: informaciją, leidžiantį identifikuoti prekę, įskaitant modelio numerį bei serijos numerį, išsamų problemas/gedimo aprašymą. Taip pat būtina pridėti prekės pirkimo dokumentą, patvirtinantį, kad garantinis laikotarpis nepasibaigė.

1. Suteikiama 2 metų garantija nuo pirkimo datos.
2. Garantinio laikotarpio metu defektai bus šalinami per 14 darbo dienų nuo prekės priėmimo pardavimo vietoje dienos laikotarpį, o garantinis laikotarpis bus pratęstas tiek, kiek reikės laiko tiems defektams pašalinti.
3. Garantinis lapas galioja tik teisingai ir pilnai užpildytas (įrašyta pirkimo data, pardavėjo antspaudas arba pridėtas prekės pirkimą įrodantis dokumentas).
4. Pirkėjas pristato prekę į pardavimo punktą savo sąskaita. Atlikus garantinį remontą produktas siunčiamas pirkėjui laiduotojo sąskaita.
5. Klientas, pateikiantis skundą privalo pristatyti suvirinimo skydelį tinkamai supakuotą ir pasaugotą nuo sužalojimo transporto metu.
6. Klientas, pateikiantis skundą atsako už galimą prekės dingimą pristatymo metu, o laiduotojas įsipareigoja pristatyti suremontuotą skydelį klientui ir atsako už siuntos dingimą.
7. Garantijos laikotarpiu defektai pašalinami nemokamai arba pateikiamas pakaitinis produktas. Tuo atveju jeigu remontas arba pakeitimas neįmanomas, klientas turi teisę gauti visą sumą sumokėtą už prekę arba pasirinkti kitą prekę, turinčią panašias savybes bei specifikacijas. Laiduotojas arba pirkėjas grąžina pinigines sumas skirtumą tarp prekių, priklausomai nuo skirtumo tarp gedusios ir pasirinktos naujos prekės kainos.
8. Gedimai atsiradę dėl netinkamo naudojimo arba gamybos defektų, taip pat netaikomos eksploatacinėms medžiagoms bei priedams netaikomi garantiniai.
9. Gedimai atsiradę dėl žemiau pateikiamų priežasčių netaikomi garantiniai:
  - Gedimas dėl savarankiškai atlikto remonto, pakeitimų arba modifikacijos.
  - Mechaninis gedimas, gedimas dėl terminų arba cheminių veiksnių arba tyčinio sugadinimo.
  - Gedimas dėl netinkamo laikymo ir priežiūros bei kiti gedimai atsiradę dėl vartotojo kaltės.
  - Natūralaus produkto susidėvimas, pav. nusitrynimai, įbrėžimai, plyšiai ir pan.
  - Žalos, defektai dėl netinkamo naudojimo arba naudojimo ne pagal paskirtį.Laiduotojas taip pat gali atmesti skundą dėl formalių klaidų, esančių pardavimą įrodančiuose dokumentuose, pvz. netinkamai užpildytas garantinis lapas, pirkimą įrodancio dokumento stoka ir pan.

.....  
**Pirkimo data ir pardavėjo antspaudas**

## REMONTO DIRBTUVIŲ ADRESAS:

**Profix Sp. z o.o.**

ul. Dobra 3

Łomna-Las

05-152 Czosnów

**e-mail:** serwis@profix.com.pl

**tel.** 022 785 96 75



**LIETOTĀJA DROŠĪBAI NEPIECIEŠAMS RŪPĪGI IZLASĪT  
PRODUKTA LIETOŠANAS INSTRUKCIJU.**

**Saglabāt instrukciju varbūtējai turpmākai  
lietošanai.**

### 1. PRODUKTA PIELIETOJUMS UN RAKSTUROJUMS:

Metināšanas ķīvere ar automātisko pašaptumšojošo filtru **LAHTI PRO L1540500** paredzēta sejas un acu aizsardzībai metināšanas laikā no dzirkstelēm, šķakatām un kaitīgā starojuma. Atbilst EN 379:2003+A1:2009, EN 175:1997 normas un Regula 2016/425 prasībām.

Timekļa vietnes adresi, kurā var piekļūt ES atbilstības deklarācijai: [www.lahtipro.pl](http://www.lahtipro.pl)

Ķīveres pārbaude veikta: **DIN CERTCO Gesellschaft für Konformitätsbewertung mbH**, Alboinstraße 56, 12103 Berlin, Germany. Notifikācijas vienības Nr.: 0196.

Metināšanas ķiveri var lietot arī kā individuālo aizsardzības līdzekli īslaicīgu un mazu slīpēšanas darbu laikā (metāla virsmu slīpēšana izmantojot lapveidīgus slipdiskus). Nav piemērota individuālai aizsardzībai metāla griešanas procesa laikā ar slīpēšanas diskkiem.

Metināšanas ķīvere ir aprīkota ar lielu skatu meklētāju, kura izmēri ir 100x50 mm. Automātisko aptumšošanas filtru, kurš pēc loka iedegšanās patstāvīgi mainās no gaišā un tumšo, bet pēc metināšanas beigām paliek gaišs.

Metināšanas ķīvere nodrošina pilnīgu aizsardzību pret UV/IR (ultravioleto/infrasarkano) starojumu, arī tad, kad filtrs ir gaišs. Divi foto sensori garantē pareizu ķīveres darbību katros apstākļos un stāvokļi.

Metināšanas ķīvere ir gatava tūlītējai lietošanai, to nepieciešams tikai pielāgot metinātāja galvas izmēram kā arī izvēlēties un uzstādīt atbilstošus lietošanas parametrus.



**UZMANĪBU! Metināšanas ķīvere atbilst metināšanas  
drošības normām. Šī produkta drošai lietošanai ne-  
pieciešama atbilstoša apmācība metināšanas jomā.**

**Tikai apmācīti metinātāji drīkst to lietot.**

**Nelietot masku bez aizsargstikla vai bez filtra.**

**Nelietot masku, ja ir bojāta jebkāda tās daļa. Lietot apkārtējās  
temperatūras diapazonā no -5°C līdz +55°C.**



#### BRĪDINĀJUMS!

Metināšanas ķīvere nav atbilstoša griešanai ar lāzera un acetilēna-skābekļa degļiem. Metināšanas ķīvere neaizsargā pret sprāgstošām vai kodīgām vielām.

Metināšanas ķīvere neaizsargā pret stipriem triecieniem, piem. slīpēšanas diskkiem.

**Nekad nelikt metināšanas ķiveri uz sakarsētām virsmām.**

### 2. METINĀŠANAS ĶĪVERES UZBŪVE:

Pašaptumšojošā metināšanas ķīvere sastāv no trīs pamata moduļiem:

- ķīveres korpuss, izgatavots no termiski stabila, izturīga polimēra, kurā neiekaušējas metināšanas šķakatas;
- eņģu sistēmas ar galvas stiprināšanu;
- pašaptumšojošā filtra.

#### ■ Metināšanas ķīveres elementi (skat.:zim. A, lpp. 2):

1. Metināšanas ķīveres korpuss
2. Regulējama galvas stiprināšana
3. Galvas stiprināšanas mehānisms galvas apkārtmēram
4. Metināšanas ķīveres slīpuma leņķa kā arī attāluma starp metinātāja acīm un aizsagfiltra stikla regulēšanas mehānisms
5. Darba režīma un aptumšošanas pakāpes regulators
6. Ārējais aizsargstikls
7. Filtra kasete
8. Iekšējais aizsargstikls

#### ■ Pašaptumšojošā filtra elementi (skat.:zim. B, lpp. 2):

1. Poga TEST
2. Gaišuma laika regulēšana pēc metināšanas
3. Jūtības regulēšana
4. Iekšējais aizsargstikls
5. Bateriju nodalījums
6. Bateriju izlādēšanas indikators
7. Saules baterijas
8. UV/IR filtrs
9. Foto sensors

### 3. TEHNISKIE DATI:

MODELIS	L1540500
Barošana: saules baterijas + 2x litija CR2032 maināmas baterijas	
Barošanas ieslēgšana/izslēgšana	automātiskā
Redzes lauka izmērs	100x50 mm
Filtra izmērs	110x90x10 mm
Aptumšošanas pakāpe gaišā stāvoklī	4 atbilstoši DIN
Aizsardzības pakāpe no UV/IR starojuma	Pastāvīga - 16 DIN
Aptumšošanas pakāpes diapazons	9-13 DIN
Pārslēgšanas kavējums – gaišs/tumšs	1/25000 s
Pārslēgšanas kavējums – tumšs/gaišs	0.1~1.0 s
Jūtība/kavējums	bezpakāpju regulēšana
Darba temperatūra	no -5°C līdz +55°C
Glabāšanas temperatūra	no -20°C līdz +70°C
Loka foto sensoru skaits	2
Funkcija „slīpēšana”	jā
Metināšanas ķīveres materiāls	poliamids, polietilēns polipropilēna
Filtra paškontrolē	jā
Kopējā masa	480g
Kastes izmēri	330x230x230 mm

### 4. REKOMENDĒTĀS APTUMŠOŠANAS PAKĀPES:

Zemāk uzrādītā tabulā parādītas rekomendētās aptumšošanas pakāpes priekš noteiktas metināšanas metodes un metināšanas strāvas vērtības. Uz filtra aptumšošanas pakāpei var iedarboties arī:

- metinātā metāla veids;

- apgaismojuma pakāpe (tabulā uzrādītās vērtības ir atbilstošas viduvējiem darba apstākļiem, pie kuriem operatora acu attālums līdz metināšanas vietai sastāda apm. 50 cm, un vidējā apgaismojuma intensitāte sastāda apm. 100 lx);
- operatora stāvoklis attiecībā pret liesmu vai elektrisko loku. Atkarībā no tā vai metinātais noliecas virs metinātā priekšmeta vai strādā ar izstieptām rokām, var būt nepieciešamība mainīt aptumšošanas pakāpi vismaz par vienu vērtību;
- cilvēcisks faktors (tabulā uzrādītās vērtības ir atbilstošas priekš

operatoriem ar normālu redzi. Cilvēkiem ar redzes traucējumiem nepieciešams izvēlēties aptumšošanas pakāpi atbilstoši individuālām vajadzībām, izmantojot pārmaiņus sekojošas lielākas vai mazākas aptumšošanas pakāpes);

- veicot darbu atklātā vietā stiprā saules gaismā, ieteicams palielināt aptumšošanas pakāpi vismaz par vienu vērtību;

Atkarībā no apstākļiem, kādos notiek metināšanas process, var būt nepieciešamība palielināt/samazināt aptumšošanas pakāpi.

METINĀŠANAS PROCESS	STRĀVAS STIPRUMS (A)																				
	1,5	6	10	15	30	40	60	70	100	125	150	175	200	225	250	300	350	400	450	500	600
SMAW	8			9			10			11			12			13			14		
MAG	8			9			10			11			12			13			14		
TIG	8			9			10			11			12			13			14		
MIG smagiem metāliem	9			10			11			12			13			14			15		
MIG viegliem sakausējumiem	10			11			12			13			14			15			16		
SAW	10			11			12			13			14			15			16		
PAC	9			10			11			12			13			14			15		
PAW	4	5	6	7	8	9	10	11	12	13	14	15	16	17	18	19	20	21	22	23	24

#### ■ Saisinājumu nozīme:

**SMAW** – metināšana ar apvalka elektrodziem

**MAG** – metināšana ar kūstošo elektrodu ķīmiski aktīvās gāzes vidē;

**TIG** – metināšana ar volframa elektrodu inertās gāzes vidē;

**MIG** – metināšana ar kūstošo elektrodu inertās gāzes vidē;

**SAW** – metināšanu zem kušņiem;

**PAC** – griešana ar mikroplazmas plūsmu;

**PAW** – metināšana ar mikroplazmas loku.

#### 5. DROŠAS LIETOŠANAS PRINCIPI:



**UZMANĪBU!** Pirms metināšanas ķiveres lietošanas nepieciešams kategoriski iepazīties ar šo apkalpošanas instrukciju. Nepieciešams ievērot ražošanas uzņēmumā pastāvošos darba drošības noteikumus. Konstatējot jebkādu nepareizu metināšanas ķiveres darbību, domstarpības attiecībā uz tās pareizu darbību, to nepieciešams paziņot priekšniekam vai kontaktēties ar lokālo autorizēto servisu.

- Aizliegts lietot metināšanas ķiveri neatbilstoši pielietojumam.
- Pirms katra darba sākuma nepieciešams veikt metināšanas ķiveres tehnisko stāvokli. Ķivere zaudē lietošanas derīgumu, ja parādās aizsargstikla vai ķiveres bojājumi, matējumi, krāsas maiņa, skrāpējumi kā arī plīsumi. Tādā gadījumā ķiveri vai stiklu nepieciešams apmainīt pret jaunu. **UZMANĪBU!** Maiņai var izmantot tikai oriģinālas un atbilstoši piemērotas daļas.
- Atkarībā no metināšanas procesa, kādu izmanto lietotājs, izvēlēties atbilstošu aptumšošanas filtra pakāpi.
- Gadījumā, ja ķiveres funkcionēšanā tiek konstatēta jebkāda nepareizība, it īpaši nepareiza pašaptumšojošā filtra darbībā (piemēram: nav filtra aptumšošanas, pārāk vēla aptumšošanas, pārāk ātrs gaišums), ķiveres korpusa bojājums un tml., nepieciešams nekavējoties pārtraukt darbu un paziņot problēmu priekšniekam vai kontaktēties ar lokālo autorizēto servisu.
- Ķivere neaizsargā no lidojošu priekšmetu triecieniem.
- Ķivere neaizsargā no kodīgām vai sprāgstošām vielām.

- Ķiveri kā arī aptumšošanas filtru nedrīkst likt uz karstas virsmas.
- Ķiveres darba laikā, vienmēr jābūt uzstādītas ārējā aizsargstiklam. Darbs bez uzstādīta ārējā aizsargstikla var radīt ķiveres avāriju un garantijas zaudēšanu.
- Regulāri mainīt iekšējo aizsargstiklu. Izmantot oriģinālus stiklus.
- Nepieciešams izvairīties no metināšanas stāvokļa, kurā metināšanas šļakatām un starojumam iespējams iekļūt neaizsargātās ķermeņa daļās (metināšana virs galvas). Ja tas ir iespējams izmantot papildus aizsardzību.
- Sargāt filtru no šķidrumiem vai netīrumiem. Izvairīties no kontakta ar ūdeni vai pārmērīgu mitrumu.
- Pirms lietošanas nepieciešams attīrīt ķiveri no netīrumiem un pārbaudīt, vai nav aizsegti ķiveres priekšpusē uzstādītie foto sensori un saules baterijas.
- Sargāt ķiveri un tās elementus no šķīdinātājiem, tīrīšanai izmantot mikstu mitru drānu.



**UZMANĪBU!** Jebkāda metināšanas ķiveres modifikācija, tās lietošana neatbilstoši pielietojumam, šīnī instrukcijā uzrādīto norādījumu neievērošana rada lietotājam ķermeņa traumu bistamību, kā arī garantijas zaudēšanu.

#### 6. SAGATAVOŠANA LIETOŠANAI:

Ķivere tiek piegādāta saliktā un lietošanai gatavā veidā. Tomēr pirms lietošanas sākuma nepieciešams veikt sekojošas darbības:

1. Metināšanas ķiveres pirmajā lietošanā operators no pašaptumšojoša filtra noņem aizsargplēvi, pretējā gadījumā aptumšošanas pakāpe var būt nepareiza un filtrs var nedarboties.
2. Pārliecināties vai ķiveri piemērota plānotam darbam kā arī vai visi ķiveres elementi atrodas savā vietā, ir pareizi uzstādīti un pareizi darbojas.
3. Veikt galvas stiprināšanas regulēšanu ar eņģu sistēmu to optimāli pielāgojot lietotāja galvai.
4. Veikt atbilstošus jūtības, kavējuma laika kā arī metināšanas filtra aptumšošanas pakāpes uzstādījumus.

## 7. ĶĪVERES PIELĀĢOŠANA (skat.: zīm. C, lpp. 2):

Pirms lietošanas ķiveri nepieciešams regulēt ar nolūku nodrošināt maksimālu aizsardzību un lietošanas komfortu.

Pateicoties pareizai ķiveres uzstādīšanai iegūst maksimālu acu aizsardzību no ultravioletā (UV) un infrasarkanā (IR) starojuma.

### ■ Apsaites regulēšana

Operatora apsaite kopējo garumu var pagarināt vai saīsināt ar apsaites aizmugures daļā atrodošos regulatoru:

- Apkārtmēra samazināšanai nepieciešams nospiegt regulatoru **A** un pagriezt to pa labi.
- Apkārtmēra palielināšanai nepieciešams nospiegt regulatoru **A** un pagriezt to pa kreisi.

Pareiza apsaites apkārtmēra uzstādīšana ir tad, kad metināšanas maska nekriņķ no operatora galvas, bet apsaite pārmērīgi nespiež.

Pārāk augsta ķiveres uzstādīšana uz operatora galvas var radīt maskas nokrišanu, pārāk zema ķiveres uzstādīšana var radīt neērtu lietošanu. Optimālu ķiveres uzstādīšanu uz operatora galvas var veikt ar apsaitei **B**, kura atrodas ķiveres augšējā daļā.

Apsaites pielāgošanu galvai nepieciešams pārbaudīt vairākas reizes pacelot un nolaižot ķiveri, kad tā atrodas uz galvas. Ja apsaite ir pareizi noregulēta ķiverē stabili jāturas uz operatora galvas. Nepareizību konstatēšanas gadījumā apsaitei atkārtoti jāregulē.

### ■ Attāluma regulēšana starp operatora seju un ķiveri:

Šajā nolūkā atbrīvojot stiprināšanas uzgriežņus **C** un pārlīk skrūves caur kvadrāti caurumiem **D** apsaites stiprināšanā, pārvietojot ķiveri tuvāk vai tālāk no sejas. Pēc uzstādīšanas pieskrūvēt uzgriežņus **C**.

**UZMANĪBU!** Regulēšanu nepieciešams veikt abās ķiveres pusēs. Vislabākā asumu iegūšanai ieteicams pēc iespējas mazāks attālums starp filtru un acīm.

### ■ Ķiveres nolaišanas leņķa regulēšana

Ja operatoram nav piemērots maskas slīpuma leņķis, var veikt tā regulāciju:

- Atbrīvojot stiprināšanas uzgriežņus **C**.
- Veikt ķiveres slīpuma leņķa maiņu.
- Pieskrūvēt stiprināšanas uzgriežņus **C**.

**UZMANĪBU!** Pareizs ķiveres slīpuma leņķis aizsargā no šķaķu un starojuma nokļūšanas operatora zoda zonā.

## 8. LIETOŠANA:

### ■ Ķiveres barošana

Ķiveres barošana notiek ar divām litija baterijām CR2032 3V, kuras lādē saules baterijas. Normālos metināšanas apstākļos tas nodrošina 5000 darba stundu ilgumūzību.

Foto sensori kontrolē automātisku filtra ieslēgšanu un izslēgšanu.

Uz iekšējā vadības paneļa atrodas taustiņš „TEST”, kurš dod iespēju pārbaudīt ķiveres automātikas darbību (darba režīma slēdzim jābūt uzstādītam uz metināšanu) kā arī baterijas lādēšanas diodes indikatoru. Zema sprieguma gadījumā diode nedarbojas, kad ir pietiekama filtra barošana. Diodes degšana signalizē baterijas maiņas nepieciešamību.

### ■ Ķiveres aptumšošanas pakāpes izvēle:

Izmantojot tabulu 4 lpp var izvēlēties aptumšošanas pakāpi atbilstoši dotajam metināšanas procesam un pārvietot darba režīma un aptumšošanas pakāpes regulatoru **5** (skat. zīm. C) atbilstoši



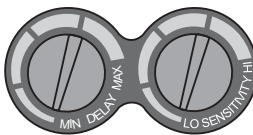
## stāvokli 9-13.

Slīpēšanas laikā regulatoru 5 nepieciešams novietot stāvokli **SLĪPĒŠANA/GRIND**, izslēdzot aptumšošanu.

### ■ Jūtības un gaišuma laika uzstādīšana pēc metināšanas:

Metināšanas sākuma momentā filtrs automātiski 1/25000 s laikā mainās no gaišā uz tumšo.

Filtra jūtības bezpakāpju regulēšana elektriskajā lokā tiek realizēta ar uz filtra kasetes atrodošos regulatoru **JŪTĪBA/SENSITIVITY**. Zemām strāvām vai TIG metodēm ieteicami augstāki uzstādījumi (**HI**), lielām strāvām vai MIG/MAG metodēm zemākas vērtības (**LO**).



Operatoram ir iespēja regulēt filtra kavējuma pārslēgšanas laiku no tumšāka uz gaišāku ar regulatoru **KAVĒJUMS/DELAY**, kurš atrodas uz filtra kasetes blakus jūtības regulatoram – **JŪTĪBA/SENSITIVITY**. Šis regulators dod filtra reakcijas bezpakāpju regulācijas iespēju no 0,1 s līdz 1,0 s.

Kavējuma laiks kompensē metināšanas elementā radīto ēnas efektu. Uzstādījums **MIN** (minimālā kavējuma laika vērtība), **MAX** (maksimālā kavējuma laika vērtība).

## 9. PROBLĒMU ATRISINĀŠANA:

### 1. Neregulāra aptumšošana

- a) Galvas apsaite ir nepareizi uzstādīta un ir nevienāds attālums no acīm līdz filtra stiklam (*mainīt galvas apsaites uzstādīšanu, lai samazinātu attāluma starpību no filtra*).

### 2. Pašaptumšojošais filtrs neaptumšo vai notiek mirgošana.

- a) Priekšējais stikls ir netīrs vai bojāts (*notīrīt vai apmainīt*).
- b) Sensori ir netīri (*notīrīt sensoru virsmu*).
- c) Metināšanas strāva ir pārāk maza (*pārvietot jūtīguma slēdzi stāvoklī "MAX"*).
- d) Barošanas baterijas izlietotas (*apmainīt baterijas*).

### 3. Lēna reakcija

- a) Darba temperatūra ir pārāk zema (*nelietot ķiveri temperatūrā zemākā par -5°C*).

### 4. Slikta redzamība

- a) Priekšējais stikls / iekšējais un/vai filtrs ir netīri (*notīrīt vai apmainīt*).
- b) Apkārtējais apgaismojums nav pietiekams (*apgaismot pareizi*).
- c) Nepareizi uzstādīta filtra aptumšošanas pakāpe (*izvēlēties ieteicamās aptumšošanas pakāpes uzrādītās šajā instrukcijā un uzstādīt pareizo*).

### 5. Ķiveres slid no galvas

- a) Galvas apsaite nav pareizi regulēta (*regulēt apsaite*).

### 10. KONSERVĀCIJA UN GLABĀŠANA:

Nepieciešams regulāri un rūpīgi veikt ķiveres konservācijas darbus. Tas dos iespēju saglabāt masku labā tehniskā stāvoklī.

Izstrādājumu nepieciešams glabāt piegādātā iepakojumā tumšā, sausā, vēdinātā un slēgtā telpā. Glabāšanas laikā nepārsniedz temperatūras diapazonu no -20°C līdz +70°C. Sargāt no putekļiem un citiem

netirumiem (plastmasas maisi, iepakojumi un tml.) Sargāt no mehāniskiem bojājumiem. Transports – piegādātos iepakojumos, kartona kastēs, slēgtos transporta līdzekļos.

#### ■ **Tīrīšana**

Filtru var tīrīt ar tīru un gludu drānu vai kokvilnas materiālu.

Nemērcēt metināšanas ķiveri un filtru ūdenī un nekad nelieliet abrazīvos līdzekļus, šķīdinātājus un mazgāšanas līdzekļus uz eļļas bāzes.

Patstāvīgi neizjaukt filtra kaseti. Filtra kaseti var izjaukt autorizēts serviss vai kvalificēta persona. Citā gadījumā notiks garantijas zaudēšana.

#### ■ **Aizsargstikla maiņa:**

Lai nodrošinātu filtra ilggadīgu bezavārijas darbību aizliegts lietot ķiveri bez polikarbonāta aizsargstikliņiem. Nepieciešams regulāri mainīt priekšējo aizsargstikliņu, kurš ir pakļauts dabīgai matēšanai no metināšanas laikā radīto šļakatu triecieniem.

Aizsargstikla maiņai vispirms nepieciešams izmontēt pašaptumšojošā filtra kaseti, un izņemt stikliņu ķiveres iekšpuses virzienā.

**UZMANĪBU!** *Filtrēšanas ieliktna maiņu un uzstādīšanu nepieciešams veikt kvalificētam un apmācītam personālam.*

#### ■ **Filtra barošanas baterijas maiņa**

Ja iedegsies diodes indikators ar apzīmējumu „LOW BATTERY”, baterijas nepieciešams apmainīt pret jaunām.

Baterijas atrodas divos neatkarīgos filtra kasetes nodalījumos. Baterijas maiņai nepieciešams pagriezt un noņemt nodalījuma vāciņu. Izlietoto bateriju izņemt un ielikt jaunu.

Vāciņu aizvērt un augstāk uzrādīto darbību veikt ar otru bateriju.

**UZMANĪBU!** *Baterijas mainīt tikai pa pāriem. Nesajaukt izlietoto bateriju ar jaunu.*

#### **VIDES AIZSARDZĪBA:**



**UZMANĪBU:** *Tajā veidā apzīmētus izstrādājumus, neizpildes gadījumā paredzot naudas sodu, nedrīkst izmest kopā ar parastiem atkritumiem. Elektriskajā un elektroniskajā iekārtā esošās briesmīgas vielas var kaitēt apkārtējai videi un cilvēku veselībai.*

Nepieciešams veicināt iekārtu atkritumu pārstrādāšanu un atkārtotai izmantošanai (reciklēšanai). Polijā un Eiropā tiek veidots, vai jau eksistē, iekārtu atkritumu vākšanas sistēma, saskaņā ar ko visiem iepriekšminētās iekārtas pārdošanas punktiem ir pienākums pieņemt nolietotu iekārtu. Turklāt, ir pieejamas iepriekšminētās iekārtas vākšanas punkti.

#### **11. FILTRA APZĪMĒJUMU SKAIDROJUMS:**

**MODEL: ADF GX-800S** – pašaptumšojšanas filtra modelis;

**CAN/CSA Z94.3** – Kanādas drošības norma;

**ANSI Z87.1** – Amerikas drošības norma;

**4/9-13 GX 1/1/1/2/379 CE** – metināšanas filtra apzīmējumi ar manuālās aizsardzības pakāpes uzstādīšanu, kur:

**4** – gaišā stāvokļa nr.; **9** – visgaišākās tumšās pakāpes nr.; **13** – vistumšākās pakāpes nr.; **GX** – ražotāja simbols; **1** – optiskā klase; **1** – gaismas izkliedes klase; **1** – gaismas caurplūdes novirzes koeficienta klase; **2** – gaismas caurplūdes koeficienta atkarības no leņķa klase; **379** – Eiropas norma nr. attiecībā uz automātiskiem metināšanas filtra EN 379, **CE** – atbilstības zīme ar ES jaunās pieejas direktīvu.

#### **IMPORTĒTĀJS/PILNVAROTAIS PĀRSTĀVIS:**

Profix Sp. z o.o.,

ul. Marywińska 34,

03-228 Warszawa, Polija



Polityka firmy PROFIX jest polityką stałego udoskonalania swoich produktów i dlatego firma rezerwuje sobie prawo zmiany specyfikacji wyrobu bez uprzedniego zawiadomienia. Obrazki, podane w instrukcji obsługi, są przykładowe i mogą się nieznacznie różnić od rzeczywistego wyglądu zakupionego urządzenia.

Niniejsza instrukcja jest chroniona prawem autorskim. Kopiowanie/ powielanie jej bez pisemnej zgody firmy Profix Sp. z o.o. jest zabronione.

## 12. GARANTIJA:

Lai izmantotu garantijas pakalpojumus, bojāto produktu var nodot pirkšanas punktā vai pie autorizētā izplatītāja vai firmas PROFIX produktu pārdevēja, no kura dotais produkts tika nopirkts. Pirms produkta atgriešanas nepieciešams iegūt informāciju par atgriešanas nosacījumiem. Parasti nepieciešams ņemt vērā informāciju, kura dod iespēju identificēt produktu, ieskaitot modeļa un sērijas numuru, kā arī detalizētu problēmas aprakstu. Nepieciešams pievienot arī pirkšanas apliecinājumu mazumtirdzniecības punktā, kurš apliecina, ka garantijas termiņš nav beidzies.

1. Garantija produktam sastāda divus gadus no pirkšanas datuma.
2. Garantijas laikā atklātie defekti tiks bezmaksas novērsti 14 darba dienu laikā no produkta piegādes uz pārdošanas firmas adresi, bet garantija laiks tiks pagarināts par remonta laiku.
3. Garantijas karte ir derīga, ja tajā ir pārdošanas datums, pārdošanas punkta zīmogs vai pirkumu apliecinātais čeks.
4. Garantijas remonta veikšanai produktu nepieciešams uz paša rēķina piegādāt pirkšanas punktā. Pēc remonta produkts tiks nosūtīts reklamētājam uz garanta rēķina.
5. Reklamētājam nepieciešams piegādāt metināšanas ķiveri atbilstoši aizsargātu pret bojājumiem transporta laikā.
6. Reklamējošais atbild par varbūteju ķiveres pazušanu piegādes laikā, garants turpretim apņemas piegādāt salaboto ķiveri reklamējošam un atbild par tās iespējamo pazušanu transporta laikā.
7. Garantija laikā bojātā ierīce tiks bez maksas salabota, vai garants to apmainīs pret tādu pašu, bez bojājumiem. Gadījumā, ja ierīces remonts vai apmaiņa pret jaunu nav iespējams, reklamētājam pienākas samaksātās summas atlīdzināšana, vai iespēja izvēlēties citu ierīci ar līdzīgām īpašībām un specifikāciju. Varbūteju naudas starpību atlīdzinās garants, vai arī reklamējošais, atkarībā no izvēlēta priekšmeta izmaksām.
8. Šī garantija ietver ierīces defektus, kuri radušies pareizas ekspluatācijas laikā vai radīti ar ražošanas procesa rezultātā un neattiecas uz ekspluatācijas materiāliem vai citiem papildus aprīkojumiem.
9. Garantija neattiecas uz defektiem, kuri radušies:
  - Lietotājam vai nepilnvarotai personai veicot remontu vai konstrukcijas izmaiņas.
  - Mehāniskie, termiskie, ķīmiskie bojājumi vai tīši ierīces bojājumi.
  - Lietotāja vainas dēļ radušies ķiveres bojājumi kā arī citi defekti radīti glabāšanas un konservācijas rezultātā.
  - Produkta kvalitātes samazināšanās dabīgā lietošanas procesa rezultātā piem. produkta ārējās virskārtas nolietošana, švīkas, stikla plīsumi un tml.
  - Bojājumi radīti neievērojot pareizas ekspluatācijas principus, kā arī lietojot ierīci neatbilstoši tās pielietojumam.

Garants var arī atteikt pieņemt reklamāciju formālu lietu gadījumā, saistītu ar pārdošanas dokumentiem, kā neaizpildīta garantijas karte, nav pirkšanas apliecināto dokumenta un tml.

.....  
**Pirkšanas datums un pārdevēja zīmogs**

### SERVISA ADRESE:

#### **Profix Sp. z o.o.**

ul. Dobra 3

Łomna-Las

05-152 Czosnów

**e-mail:** serwis@profix.com.pl

**tel.** 022 785 96 75




**PRO BEZPEČNÉ POUŽÍVÁNÍ SI MUSÍTE PODROBNĚ PŘEČÍST NÁVOD NA OBSLUHU VÝROBKU.**
**Návod uchovejte pro případné pozdější využití.**
**1. URČENÍ A CHARAKTERISTIKA VÝROBKU:**

Svářecí helma **LAHTI PRO L1540500** se samostmívacím filtrem je určena k ochraně obličeje a očí proti jiskrákům, odstříkujícím kovu, okujím a škodlivému záření během sváření. Splňuje požadavky normy EN 379:2003+A1:2009, EN 175:1997 a Nařízení 2016/425.

Internetové adrese, na níž je přístup k EU prohlášení o shodě: [www.lahtipro.pl](http://www.lahtipro.pl)

Zkoušky kukly proběhlo v: **DIN CERTCO Gesellschaft für Konformitätsbewertung mbH**, Alboinstraße 56, 12103 Berlin, Germany.

Č. notifikované jednotky: 0196.

Helmu lze použít také jako osobní ochranný prostředek během drobných a krátkodobých brusíkových prací (broušení kovových povrchů s použitím brusných listových kotoučů). Není vhodná k osobní ochraně během procesu řezání kovů brusnými kotouči.

Helma je vybavená velkým průzorem s rozměry 100 x 50 mm. Samostmívací filtr rozzáření oblouku se automaticky mění ze světlého na tmavý a po skončení sváření se opět zesvětluje.

Helma zajišťuje kompletní ochranu proti UV/IR záření (ultrafialové/infračervené), i tehdy když je filtr zesvětlený. Dvě fotočidla zaručují správné fungování helmy za každých podmínek a v každé poloze. Helma je připravená k okamžitému použití, je jí pouze třeba přizpůsobit podle velikosti hlavy svářeče a zvolit také nastavení správných užitkových parametrů.



**POZOR! Svářecí helma splňuje normy platné pro bezpečnost sváření.**

**Bezpečné používání tohoto výrobku vyžaduje řádné vyškolení v oblasti sváření. Měli by ji používat pouze vyškolení svářeči.**

**Nepoužívejte masku bez ochranného skla nebo bez filtru.**

**Nepoužívejte masku, pokud je jakákoliv její část poškozená. Používejte v prostředí s teplotním rozsahem od -5°C do +55°C.**


**VÝSTRAHA!**

**Svářecí helma není vhodná pro použití při řezání laserovými a acetyleno-kyslíkovými hořáky. Helma není ochranou proti výbušným látkám anebo žiravinám.**

**Helma není ochranou proti silným úderům, např. brusnými kotouči.**

**Nikdy nepokládejte helmu na rozehráté povrchy.**

**2. KONSTRUKCE HELMY:**

Samostmívací svářecí helma je konstruována ze tří základních modulů:

- těla přílby, vyrobeného z termostabilního, odolného proti opotřebování polymeru, do kterého se nezataví okuje;
- soustavy zavěšení s upevněním na hlavě;
- samostmívacího filtru.

■ **Části helmy (viz: obr. A, str. 2):**

1. Tělo helmy

2. Nastavitelná přípevnění
3. Mechanismus přizpůsobení upevnění k obvodu hlavy
4. Mechanismus nastavení úhlu sklonu přílby a vzdálenosti mezi očima svářeče a sklem ochranného filtru
5. Kolečko nastavení pracovního režimu a stupně zatemnění
6. Vnější ochranné sklo
7. Kazeta filtru
8. Vnitřní ochranné sklo

■ **Prvek samostmívacího filtru (viz: obr. B, str. 2):**

1. Tlačítko TEST
2. Nastavení času zesvětlování po sváření
3. Nastavení citlivosti
4. Vnitřní ochranné sklo
5. Schránka na baterie
6. Ukazatel vybití baterií
7. Solární články
8. UV/IR filtr
9. Fotočidlo

**3. TECHNICKÉ ÚDAJE:**

MODEL	L1540500
<b>Napájení:</b> solární články + 2x lithiové CR2032 vyměnitelné baterie	
Zapínání/vypínání napájení	automatické
Rozměry zorného pole	100x50 mm
Rozměr filtru	110x90x10 mm
Stupeň zatemnění ve světlém stavu	4 podle DIN
Stupeň ochrany před zářením UV/IR	Pevný - 16 podle DIN
Rozsah stupňů zatemnění	9-13 podle DIN
Opoždění přepnutí - světlý/tmavý	1/25000 s
Opoždění přepnutí - tmavý/světlý	0.1~1.0 s
Citlivost/opoždění	plynulé nastavení
Pracovní teplota	od -5°C do +55°C
Teplota uchovávání	od -20°C do +70°C
Počet fotočidel oblouku	2
Funkce „broušení“	ano
Materiál helmy	polyamid, polypropylen, polyethylen
Samokontrola filtru	ano
Čelková hmotnost	480g
Rozměry krabičky	330x230x230 mm

**4. DOPORUČOVANÉ STUPNĚ ZATEMŇENÍ:**

V následující tabulce jsou prezentovány doporučené stupně ztmavnutí pro určitou svářečskou metodu a hodnoty svářecího proudu. Na volbu stupně ztmavnutí má vliv také:

- druh základního kovu;
- stupeň osvětlení (hodnoty uvedené v tabulce odpovídají průměrným

pracovním podmínkám, při nichž vzdálenost očí operátora od tavné lázně je cca 50 cm, a průměrná intenzita osvětlení je cca 100 lx);

- postavení operátora vůči plameni elektrického oblouku. V závislosti na tom, zda se svářecí sklání nad svářeným předmětem nebo pracuje s vytaženými rukama, může být třeba změnit minimálně o jeden stupeň zatemnění;
- lidský činitel (hodnoty uvedené v tabulce odpovídají svářecům s

normálním zrakem. Osoby se zrakovými vadami by měly zvolit hodnotu stupně zatemnění podle individuálních potřeb, tak že vyzkouší střídavě větší nebo menší stupně zatemnění);

- pro práce prováděné na venku při silném slunečním světle se doporučuje zvýšení stupně zatemnění o minimálně jeden;

V závislosti na podmínkách, za kterých probíhá proces sváření, může vzniknout potřeba zvýšit / snížit stupeň zatemnění.

PROCES SVAŘOVÁNÍ	INTENZITA PROUDU (A)																					
	1,5	6	10	15	30	40	60	70	100	125	150	175	200	225	250	300	350	400	450	500	600	
SMAW				8					9		10		11		12				13			14
MAG				8					9		10		11		12				13			14
TIG			8				9		10		11		12		13							
MIG těžkých kovů									9		10		11		12			13		14		
MIG lehkých slitin											10		11		12			13		14		
SAW											10		11		12			13		14		15
PAC										9	10	11		12			13					
PAW	4		5		6		7		8		9		10		11		12					

### ■ Objašnenie skrátoč:

**SMAW** – sváření obalenou elektrodou

**MAG** – sváření tavicí se elektrodou v ochranné atmosféře z aktivního plynu;

**TIG** – sváření wolframovou elektrodou v ochranné atmosféře z inertního plynu;

**MIG** – sváření tavicí se elektrodou v ochranné atmosféře z inertního plynu;

**SAW** – sváření pod tavidlem;

**PAC** – řezání plazmovým proudem;

**PAW** – sváření mikroplazmovým obloukem.

### 5. PRAVIDLA BEZPEČNÉHO POUŽITÍ:



**POZOR!** Před použitím svářecí přilby je třeba se bezpodmínečně seznámit s tímto návodem na obsluhu. Je třeba dodržovat pravidla BPOZ platná ve výrobním závodě. Pokud bude zjištěno ve fungování helmy cokoliv nesprávného, vzniknou pochybnosti o jejím správném použití, je to třeba nahlásit nadřízenému nebo kontaktovat místní autorizovaný servisem.

- Je zakázáno používat helmu jinak, než je určeno.
- Před každým zahájením práce je třeba vyhodnotit technický stav a provozuschopnost svářecí helmy. Helma ztrácí použitelnost, pokud se vyskytnou poškození, matná místa, změny barev, škrábance a praskliny ochranného skla nebo helmy. V takovém případě je třeba helmu nebo sklo vyměnit za nové. **POZOR!** Na výměnu lze použít pouze originální a správně zvolené části.
- V závislosti na postupu sváření, jaké chce uživatel vykonávat, měl by zvolit stupeň ztmavení filtru.
- V případě zjištění jakýchkoliv nesrovnalostí s fungováním helmy, především nesprávného fungování samostmívacího filtru (například: zatmívání filtru nefunguje, příliš pozdní zatmívání, příliš rychlé zesvětlení), poškození těla helmy apod., je třeba okamžitě přerušit práci a nahlásit problém nadřízenému nebo kontaktovat místní autorizovaný servis.
- Helma nechrání proti vymrštěným předmětům.
- Helma není ochranou proti žrávčinám ani výbušninám.
- Je zakázáno pokládat helmu a samostmívací filtr na horkých

plochách.

- Během používání helmy musí být vždy namontované vnější ochranné sklo. Práce bez namontovaného vnějšího ochranného skla může mít za důsledek poruchu helmy a ztrátu záruky.
- Pravidelně vyměňujte vnější ochranné sklo. Používejte původní skla.
- Je třeba se vyhýbat polohám, které umožňují, aby se okuje a záření dostaly na nechráněné části těla (sváření nad hlavou). Pokud by toto nebylo možné, je třeba používat dodatečné zajištění.
- Chraňte filtr proti kapalinám nebo špině. Vyhnete se kontaktu s vodou nebo nadměrnou vlhkostí.
- Před každým použitím je třeba očistit helmu ze znečištění a zkontrolovat, zda fotočidla a solární články umístěné vpředu helmy nejsou zakryté.
- Chraňte helmu a její části proti rozpouštědlům, k čištění použijte měkký vlhký hadřík.



**POZOR!** Provádění jakýchkoliv úprav svářecí helmy, používání helmy v nesouladu s jejím určením, neplnění pokynů uvedených v tomto návodu vystavuje uživatele nebezpečí úrazu a má za důsledek ztrátu záruky.

### 6. PŘÍPRAVA K POUŽITÍ:

Helma se dodává ve smontovaném stavu připravená k použití. Avšak před zahájením je třeba provést následující činnosti:

1. Při prvním použití svářecí helmy by měl svářec sundat ochrannou folii ze samostmávajícího filtru, v jiném případě stupeň ztmavení může být nesprávný nebo filtr může nefungovat.
2. Přesvědčte se, že je helma vhodná pro plánovanou práci a že všechny části helmy jsou na svém místě, jsou správně namontované a správně fungují.
3. Proveďte nastavení soustavy zavěšení a upevnění na hlavu, aby optimálně drželo na hlavě uživatele.
4. Proveďte příslušná nastavení citlivosti, doby opoždění nebo úrovně zatemnění svářecího filtru.

### 7. PŘÍZPŮSOBENÍ HELMY (viz: obr. C, str. 2):

Před použitím helmy je jí třeba nastavit za účelem zajištění maximální ochrany a pohodlí při používání.

Díky správnému nastavení helmy získáváte maximální ochranu očí proti

ultrafialovému (UV) a infračervenému (IR) záření.

### ■ Nastavení čelenky

Celkový obvod čelenky na hlavu svářeče lze zvětšovat nebo zmenšovat s použitím kolečka, které se nachází v zadní části čelenky:

- Pro zmenšení obvodu je třeba stlačit kolečko **A** a otáčet je doprava.
- Pro zvětšení obvodu je třeba stlačit kolečko **A** a otáčet je doleva.

Správné nastavení obvodu čelenky je tehdy, když svářečská helma nepadá z hlavy svářeče a čelenka příliš netlačí.

Příliš vysoké umístění helmy na hlavě svářeče může způsobit její padání, příliš nízké umístění helmy může být příčinou nepohodlí při používání. Optimální umístění helmy na hlavě svářeče lze nastavit s použitím pásku **B**, který je v horní části upevnění.

Je třeba zkontrolovat dobré přizpůsobení čelenky hlavě tak, že několikrát zvednete a spustíte helmu, když se nachází na hlavě. Pokud je čelenka správně nastavená, měla by helma stabilně držet na hlavě svářeče. V případě zjištění nesprávnosti opět čelenku nastavte.

### ■ Nastavení vzdálenosti mezi helmou a obličejem svářeče:

Za tímto účelem uvolněte upevňující matice **C** a přeložte šrouby čtvercovými otvory **D** v upevnění, posuňte helmu blíže nebo dále od obličeje. Po nastavení utáhněte šrouby **C**.

**POZOR!** Nastavení je třeba provést na obou stranách helmy. Za účelem zajištění nejlepší ostrosti se doporučuje co nejmenší vzdálenost mezi filtrem a očima.

### ■ Nastavení úhlu spuštění průzoru

Pokud není úhel sklonu štítu pro svářeče vhodný, lze provést jeho nastavení:

- Povolit upevňující matice **C**.
- Provést změnu nastavení úhlu sklonu helmy.
- Utáhnout upevňující matice **C**.

**POZOR!** Správný úhel sklonu helmy chrání proti průniku odstříkujícího kovu a záření směrem k podbradku svářeče.

## 8. POUŽÍVÁNÍ:

### ■ Napájení helmy

Napájení helmy probíhá ze dvou lithiových baterií CR2032 3V nabíjených solárními články. Za běžných podmínek sváření to zajišťuje životnost baterií na 5000 pracovních hodin.

Zapínání a vypínání filtru je automaticky kontrolováno fotočidly.

Na vnějším řídicím panelu se nachází tlačítko „TEST“, umožňující zkontrolovat správné fungování automaticky helmy (přepínač pracovního režimu by měl být nastavený na sváření), a diodový ukazatel stavu vybití baterií. Dioda nízkého napětí nefunguje, když je napájení filtru nedostatečné. Svícení diody ohlašuje nutnost vyměnit baterie.

### ■ Volba úrovně zatemnění průzoru:

S použitím tabulky na str. 4 zvolte úroveň zatemnění vhodnou pro určitý proces svařování a otočte kolečkem nastavení pracovního režimu a stupně zatemnění **5** (viz obr. **C**) do příslušné polohy **9-13**.

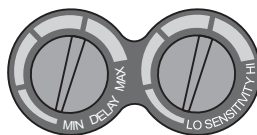
Během broušení je třeba nastavit kolečko **5** do polohy **BROUŠENÍ/GRIND**, čímž bude vypnuto zatemňování.

### ■ Nastavení citlivosti a času zsvětlení po sváření:

Ve chvíli zahájení sváření se filtr automaticky změní ze světlého na tmavý během 1/25000s.



Plynulé nastavení citlivosti filtru na elektrický oblouk se provádí kolečkem CITLIVOST/SENSITIVITY umístěným na kazetě filtru. Pro nízké proudy nebo pro metodu TIG se doporučuje vyšší nastavení (**HI**), pro vysoké proudy nebo metodu MIG/MAG nižší hodnoty (**LO**).



Operátor má možnost nastavit dobu opoždění přepojení filtru z tmavého na světlý s použitím kolečka **OPOŽDĚNÍ/DELAY** umístěného na kazetě filtru vedle kolečka nastavení citlivosti – **CITLIVOST/SENSITIVITY**. Toto kolečko umožňuje plynulé nastavování času reakce filtru od 0,1 s do 1,0 s. Doba opoždění kompenzuje efekt dosvitu vzniklého na svářeném prvku. Nastavení **MIN** (minimální hodnota doby opoždění), **MAX** (maximální hodnota doby opoždění).

## 9. ŘEŠENÍ PROBLÉMŮ:

### 1. Nepravidelné zatemnění

a) Čelenka byla nastavená nesprávně a vyskytuje se nerovná vzdálenost od očí ke sklu filtru (změnit nastavení čelenky, pro snížení vzdálenosti od filtru).

### 2. Samostmívací filtr se nezatemňuje nebo se vyskytuje blikání.

- a) Přední sklo je zašpiněné nebo poškozené (vyčistit nebo vyměnit).
- b) Čidla jsou zašpiněná (vyčistit povrch čidel).
- c) Proud svařování je příliš nízký (přemístit přepínač citlivosti do polohy "MAX").
- d) Baterie napájení jsou vyčerpané (vyměnit baterie).

### 3. Pomalá reakce

a) Pracovní teplota je příliš nízká (nepoužívejte helmu při teplotě pod -5°C).

### 4. Slabá viditelnost

- a) Přední sklo / vnitřní a/nebo filtr je zašpiněný (vyčistit nebo vyměnit).
- b) Pracovní osvětlení je nedostatečné (správně osvětlit).
- c) Nesprávně nastavený stupeň zatemnění filtru (zkontrolovat doporučené stupně zatemnění uvedené v tomto návodu a nastavit správně).

### 5. Helma se zasunuje z hlavy

a) Čelenka na hlavu není nastavená správně (nastavit čelenku).

## 10. ÚDRŽBA A UCHOVÁVÁNÍ:

Je třeba pravidelně a pečlivě provádět údržbu helmy. Umožní to uchovávat masku v dobrém technickém stavu.

Výrobek je třeba uchovávat v dodávaných jednotkových obalech v tmavém, suchém, vzdušném a uzavřeném prostoru. Během uchování nepřekračujte teplotní rozsah od -20 st. C. do +70 st. C. Chraňte proti prachu a jiným znečištěním (fóliové pytle, tašky apod.) Chraňte proti mechanickým poškozením. Doprava – v dodávaných jednotkových obalech, v krabicích, v uzavřených dopravních prostředcích.

### ■ Čištění

Filtr lze čistit s použitím čistého a hladkého hadříku nebo bavlněné látky. Neponořujte helmu a filtr do vody a nikdy nepoužívejte brusné

prostředky, rozpouštědla a saponáty na olejovém základu. Neotevírejte samostatně kazety filtru. Kazeta filtru může být namontovaná autorizovaným servisem nebo kvalifikovanou osobou. V jiném případě dojde ke ztrátě záruky.

#### ■ **Výměna ochranného skla:**

Za účelem zajištění dlouholeté bezporuchové činnosti filtru je zakázáno používání helmy bez polykarbonátových ochranných skel. Je třeba pravidelně měnit přední ochranné sklo, jelikož pravidelně zmatní v důsledku úderů stříkajícího kovu a okují během sváření.

Za účelem výměny ochranného skla je třeba nejdříve vymontovat kazetu samozatmívacího filtru, a následně vyjmout sklo směrem dovnitř helmy.

**POZOR!** Výměnu a instalaci filtrující vložky by měl provádět kvalifikovaný a vyškolený zaměstnanec.

#### ■ **Výměna baterií napájení filtru**

Pokud zasvítí kontrolka označená „LOW BATTERY“ je třeba vyměnit baterie za nové.

Baterie jsou umístěné ve dvou nezávislých schránkách na kazetě filtru. Za účelem výměny baterií je třeba otočit a sundat kryt schránky.

Vypotřebovanou baterii vyjměte ze schránky a zastupte ji novou.

Uzavřete kryt a zopakujte výše popsanou operaci s druhou baterií.

**POZOR!** Vyměňujte vždy celý pár baterií. Nepoužívejte použité baterie za nově.

### **11. VYSVĚTLENÍ OZNAČENÍ FILTRU:**

**MODEL: ADF GX-800S** – model samozatmívacího filtru;

**CAN/CSA Z94.3** – kanadská bezpečnostní norma;

**ANSI Z87.1** – americká bezpečnostní norma;

**4/9-13 GX 1/1/1/2/379 CE** – označení svářečského filtru s manuálním nastavením stupně ochrany, kdy:

**4** – č. světlého stavu; **9** – č. nejméně světlého tmavého stavu; **13** – č. nejtmašího stavu; **GX** – symbol výrobce; **1** – optická třída; **1** – třída rozptášení světla; **1** – třída odklonění součinitele propustnosti světla; **2** – třída závislosti součinitele propustnosti světla od úhlu; **379** – č. evropské normy týkající se automatických svářečských filtrů EN 379, **CE** - značka shody se směrnicemi nového přístupu ES.

#### **OCHRANA ŽIVOTNÍHO PROSTŘEDÍ:**



**POZOR:** Zobrazený symbol znamená zákaz likvidace zařízení dohromady s jinými odpady (na porušení zákazu se vztahuje pokuta). Nebezpečné složky, které se nacházejí v elektrickém a elektrotechnickém vybavení mají negativní vliv na životní prostředí a lidské zdraví.

Domácnosti by se měly zapojit do získávání zpět a opětovného využívání (recyklace) starých elektrospotřebičů. V Polsku a v Evropě se tvoří nebo už existuje systém sběru elektroodpadu, v rámci kterého mají všechna prodejní místa elektrospotřebičů povinnost přijímat elektroodpad. Kromě toho existují sběrná místa pro elektroodpad.

#### **IMPORTÉR/OPRÁVNĚNÝ ZÁSTUPCE:**

Prefix Sp. z o.o.,  
ul. Marywilska 34,  
03-228 Warszawa, Polsko



**Politika firmy PROFIX je politikou průběžného zdokonalování výrobků, z toho důvodu si firma vyhrazuje právo změnit specifikaci výrobku bez předchozího informování. Obrázky, uvedené v návodu na obsluhu, jsou pouze příklady a mohou se lišit od skutečného vzhledu zakoupeného zařízení.**

**Tento návod je chráněn autorským zákonem. Jeho kopírování / rozmožování bez písemného souhlasu společnosti PROFIX s.r.o. je zakázáno.**

## 12. ZÁRUKA:

V rámci záručních služeb lze vrátit vadný výrobek v místě jeho koupení nebo u autorizovaného dodavatele nebo prodejce výrobků firmy PROFIX, od kterého byl tento výrobek koupený. Před vrácením výrobku je třeba získat informace o pravidlech vrácení. Obvyčejně je třeba uvést informace umožňující identifikaci výrobku, společně s číslem modelu a sériovým číslem, a podrobný popis nahlášeného problému. Je třeba také připojit doklad o nákupu v maloobchodní prodejně, který potvrdí trvání záruční lhůty.

1. Záruka na výrobek zahrnuje dva roky od data nákupu.
  2. Vady zjištěné během záruční lhůty budou zdarma odstraněné v termínu 14 pracovních dnů od data dodání výrobku na adresu prodávající firmy a záruční lhůta bude prodloužena o dobu trvání opravy.
  3. Záruční list je platný, pokud je na něm uvedeno datum nákupu, razítko prodejny nebo přiložen doklad o nákupu.
  4. Za účelem provedení záruční opravy je třeba výrobek dodat na vlastní náklady do prodejního místa. Po provedení opravy bude výrobek odeslán předkladateli reklamace na náklady poskytovatele záruky.
  5. Předkladatel reklamace by měl helmu dodat příslušně zajištěnou proti poškození během dopravy.
  6. Předkladatel reklamace zodpovídá za případnou ztrátu helmy během dodávky a poskytovatel záruky se zavazuje k dodání opravené helmy předkladateli reklamace a zodpovídá za její případnou ztrátu během dopravy.
  7. Během záruční lhůty bude poškozený předmět zdarma opravený nebo vyměněný poskytovatelem záruky za stejný a bezvadný. Pokud by oprava nebo výměna předmětu za nový nebyla možná, má předkladatel reklamace nárok na vrácení zaplacené částky, nebo na volbu jiného vybavení s obdobnou hodnotou a specifikací. Případný finanční rozdíl bude vyrovnán poskytovatelem záruky, nebo předkladatelem reklamace, v závislosti na ceně zvoleného reklamovaného předmětu.
  8. Tato záruka zahrnuje poruchy zařízení vzniklé během řádného provozování nebo způsobené výrobními vadami a nevztahuje se na provozní materiály nebo jiné dodatečné vybavení.
  9. Záruka se nevztahuje na vady vzniklé v důsledku:
    - Svépomocných, prováděných uživatelem nebo jinou neoprávněnou osobou oprav, předělových nebo konstrukčních změn.
    - Mechanických, tepelných, chemických poškození anebo účelového poškození vybavení.
    - Uchovávaní a údržbu helmy a jiných poškození vzniklých zaviněním uživatele.
    - Snížení, kvality výrobku způsobené přirozeným procesem opotřebování, např. oděrem vnějšího povrchu výrobku, poškrábáním, prasknutím sklíček, apod.
    - Poškození vzniklá v důsledku nedodržování pravidel správného používání a také používání předmětu v nesouladu s jeho určením.
- Poskytovatel záruky může také odmítnout přijmout reklamaci v případě formální vady, spojené s prodejními doklady, jak je nevyplněný záruční list, chybějící doklad o nákupu, apod.

.....  
**Datum nákupu a razítko prodejce**

### ADRESA SERVISU:

**Profix Sp. z o.o.**

ul. Dobra 3

Łomna-Las

05-152 Czosnów

**e-mail:** serwis@profix.com.pl

**tel.** 022 785 96 75



**A BIZTONSÁGOS HASZNÁLAT ÉRDEKÉBEN KÉRJÜK FIGYELMESEN VÉGIGOLVANI A TERMÉK HASZNÁLATI ÚTMUTATÓJÁT.**

**Őrizze meg az útmutatót az esetleges későbbi felhasználás céljából.**

### 1. A TERMÉK RENDELTESETI TERÜLETE ÉS JELLEMZÉSE:

A LAHTI PRO L1540500 önsötétedő automata hegesztőpajzs hegesztés során keletkező szikrák, fröcskölések és káros sugárzással szemben nyújt védelmet az arc és a szemek számára. Megfelel az EN 379:2003+A1:2009, EN 175:1997 szabvány és a 2016/425 Rendelet követelményeinek.

Az internetcím, ahol elérhető az EU-megfelelőségi nyilatkozat: [www.lahtipro.pl](http://www.lahtipro.pl)

A hegesztő sisak bevizsgálásának a helye: **DIN CERTCO Gesellschaft für Konformitätsbewertung mbH**, Alboinstraße 56, 12103 Berlin, Germany. Tanúsítványozó egység száma: 0196.

A hegesztőpajzs apró, rövid ideig tartó köszöriüléshez is felhasználható, mint egyéni védőeszköz (fémfelületek köszöriülése lamellás csiszolókoronggal). Fémek csiszolótárcsával történő vágására egyéni védőeszközként nem alkalmazható.

A hegesztőpajzs 100x50 mm méretű nagy látómezővel rendelkezik. Az önsötétedő szűrő az ív felvillanására automatikusan világosról sötétre vált, a hegesztés végeztével újra kivilágosodik.

A pajzs teljes körű védelmet biztosít az UV/IR (ultraibolya/infravörös) sugárzással szemben, akkor is, ha a szűrő világos. A két fényérzékelő minden feltétel és körülmény mellett garantálja a hegesztőpajzs megfelelő működését.

A pajzs azonnali használatba vehető, egyedül hozzá kell igazítani a hegesztő fejméretéhez és ki kell választani és be kell állítani a megfelelő használati paramétereket.



**FIGYELEM! A hegesztőpajzs megfelel a hegesztési biztonságra vonatkozó követelményeknek.**

**A termék biztonságos használata megfelelő hegesztési betanítást igényel. Kizárólag szakképzett hegesztők használhatják.**

**Tilos a pajzs védőüveg vagy szűrő nélküli használata.**

**Tilos a pajzs használata, ha annak bármelyik eleme sérült. A termék -5°C és +55°C közötti hőmérsékleten használható.**



**FIGYELEM!**

**A hegesztőpajzs lézervágásra és acetilén-oxigén keverékkel történő vágásra nem alkalmas. A hegesztőpajzs nem nyújt védelmet a robbanásveszélyes vagy maró anyagokkal szemben.**

**A hegesztőpajzs nem nyújt védelmet az erős ütésekkel szemben, pl. csiszolótárcsák.**

**Sohase helyezze a hegesztőpajzsot felhevült felületre.**

### 2. A PAJZS FELÉPÍTÉSE:

Az automata hegesztőpajzs három alapegységből áll:

- hőálló, polimer kopásának ellenálló pajzsstestből, amelybe nem olvadnak bele a hegesztési lepatogzások;
- pántrendszerből;

- önsötétedő szűrőből.

#### ■ A pajzs elemei (lásd: A ábra, 2. oldal):

1. Pajzsstest
2. Szabályozható fejpánt
3. Fejpánt fej kerületéhez igazító mechanizmus
4. Pajzs dőlésszög és a hegesztő szeme és a védőszűrős plexi közötti távolság szabályozása
5. Munkamód beállító tekerőgombot és sötétítési szintet
6. Külső védőüveg
7. Szűrő kazetta Elemtartó
8. Belső védőüveg

#### ■ Az önsötétedő szűrő elemei (lásd: B ábra, 2. oldal):

1. TEST gomb
2. Hegesztés utáni világosodási idő szabályozása
3. Érzékenység szabályozása
4. Belső védőüveg
5. Elemtartó
6. Elem töltési szint
7. Napelemek
8. UV/IR szűrő
9. Fényérzékelő

### 3. SPECIFIKÁCIÓK:

MODELL	L1540500
<b>Tápellátás:</b> napelemek + 2x lítium CR2032 cserélhető elem	
Bekapcsolás/Kikapcsolás	automatikus
Látómező mérete	100x50 mm
Szűrő mérete	110x190x10 mm
Alapsötétítési érték világos állapotban	4 DIN
UV/IR sugárzás ellen sötétítési érték	Állandó - 16 DIN
Sötétítési tartomány	9-13 DIN
Átkapcsolás késleltetés- világos/sötét	1/25000 s
Átkapcsolás késleltetés- sötét/világos	0.1~1.0 s
Érzékenység/késleltetés	fokozatmentes szabályozás
Munkahőmérséklet	-5°C és +55°C között
Tárolási hőmérséklet	-20°C és +70°C között
Ívérzékelők száma	2
„Köszöriülés” funkció	igen
Pajzs anyaga	poliamid, polipropilén, polietilén
Szűrő önellenőrzés	igen
Teljes súly	480g
A doboz mérete	330x230x230 mm

### 4. AJÁNLT SÖTÉTÍTÉSI SZINTEK:

Az alábbi táblázatban az adott hegesztési módra és hegesztési áramerősségre meghatározott ajánlott sötétítési szintek kerültek

bemutatásra. A szűrő sötétítési szintjének a kiválasztására hatással van továbbá:

- a nemesfém fajta;
- a külső megvilágítás (a táblázatban megadott értékek általános munkafeltételekre vonatkoznak, amelyeknél a kezelőszemély szemének a távolsága a varrattól kb. 50 cm, az átlagos fényerő kb. 100 lx);
- a kezelőszemély a hegesztőláng vagy a villamos ívhez viszonyított pozíciója. Attól függően, hogy a hegesztő a hegesztett tárgy fölé hajol, vagy kinyújtott kézzel dolgozik, szükség lehet a sötétítési szint legalább egy értékkel történő módosítására;

– az emberi tényezőtlő (a táblázatban megadott értékek átlagos látással rendelkező kezelőszemélyre vonatkozik. Látászavarral rendelkező személyek esetében a sötétítési szintet az egyéni igények szerint kell beállítani, felváltva magasabb vagy alacsonyabb sötétítési értéket alkalmazva);

– szabad levegőn, erős napsütésben végzett munkálatokhoz legalább egy értékkel ajánlott növelni a sötétítési szintet;

A hegesztési feltételektől függően szükségessé válhat a sötétítési szint növelése/csökkenése.

HEGESZTÉS FOLYAMATA	ÁRAMERŐSSÉG (A)																																			
	1,5	6	10	15	30	40	60	70	100	125	150	175	200	225	250	300	350	400	450	500	600															
SMAW	8				9				10				11				12				13				14											
MAG	8								9				10				11				12				13				14							
TIG	8				9				10				11				12				13				14											
MIG nehézfém	9								10				11				12				13				14											
MIG könnyűfém	9								10				11				12				13				14											
SAW	9								10				11				12				13				14				15							
PAC	4				5				6				7				8				9				10				11				12			
PAW	4				5				6				7				8				9				10				11				12			

#### ■ Rövidítések magyarázata:

**SMAW** – bevont elektródás hegesztés

**MAG** – fogyóelektródás aktív védőgázos ívhegesztés;

**TIG** – volfrámelektródás semleges védőgázos ívhegesztés;

**MIG** – fogyóelektródás semleges védőgázos ívhegesztés;

**SAW** – fedett ívű hegesztés;

**PAC** – plazmavágás;

**PAW** – plazmaívhegesztés.

#### 5. A BIZTONSÁGOS HASZNÁLAT SZABÁLYAI:



**FIGYELEM! A hegesztőpajzs használatba vétele előtt feltétlenül ismerkedjen meg a jelen használati útmutatóval. Be kell tartani a munkahelyen érvényes munkavédelmi szabályokat. Amennyiben bármilyen rendellenességet észlel a pajzs működésében, a működésére vonatkozó kétségeit jelentse a felettesének vagy lépjen kapcsolatba a helyi márkaszervizzel.**

- Tilos a hegesztőpajzs rendeltetésétől eltérő használatra.
- Minden munka megkezdése előtt ellenőrizze a hegesztőpajzs műszaki állapotát. A pajzs használatra alkalmatlanná válik, ha a védőüvegen vagy a pajzson sérülés, mattosodás, elszíneződés, karcolás vagy repedés jelenik meg. Ebben az esetben a pajzst vagy a plexit újra kell cserélni. **FIGYELEM! A kicsérélt elemet csak eredeti és megfelelően kiválasztott alkatrészszel lehet helyettesíteni.**
- A felhasználó által megkezdett hegesztési folyamattól függően kiválasztani a megfelelő sötétítési értéket.
- Amennyiben bármilyen rendellenességet észlel a pajzs működésében, különösen az önsötétedő szűrő hibás működésében (például: nem sötétedik a szűrő, túl későn sötétedik, túl korán világosodik), a pajzstest sérülése, stb. azonnal félbe kell szakítani a munkavégzést és jelenteni a problémát a felettesnek vagy kapcsolatba lépni a helyi márkaszervizzel.
- A pajzs nem nyújt védelmet a felgyorsult tárgyak okozta ütésekkel szemben.

- A pajzs nem nyújt védelmet a maró és robbanásveszélyes anyagokkal szemben.
- A hegesztőpajzst és az automatikusan sötétedő szűrőt nem szabad forró felületre helyezni.
- A pajzssal végzett munka során a védőüvegnek mindig felszerelt állapotban kell lennie. Rögzített külső védőüveg nélkül végzett munka a hegesztőpajzs meghibásodását és a garancia elvesztését eredményezheti.
- Rendszeresen cserélje a külső védőüveget. Eredeti üveget használjon.
- Kerülni kell az olyan pozíciókat, amelyek lehetővé teszik a hegesztési fröcskölések és a sugárzás a test fedetlen részeire jutását (fej feletti hegesztés). Ha ez nem lehetséges, további védelmet kell alkalmazni.
- Ővni a szűrőt a folyadékokkal és a szennyeződésekkel szemben. Kerülni a vízzel való érintkezést és a túl magas páratartalmat.
- Minden használat előtt megtisztítani a hegesztőpajzst a szennyeződésektől és ellenőrizni, hogy a pajzs elején lévő fényérzékelők és napelemek nincsenek eltakarva.
- Ővni a pajzst és annak elemeit az oldószerrel szemben, a pajzs tisztításához puha, benedvesített törülközőt használni.



**FIGYELEM! A hegesztőpajzs bármilyen módosítása, rendeltetésétől eltérő használata, a jelen útmutatóban megadott ajánlások figyelmen kívül hagyása testi sérüléssel fenyegeti a felhasználót és a garancia elvesztését eredményezi.**

#### 6. FELKÉSZÜLÉS A HASZNÁLATRA:

A pajzs összeszerelt, használatra kész állapotban kerül kiszállításra. Ennek ellenére a használat megkezdése előtt végre kell hajtani a következő műveleteket:

1. A hegesztőpajzs első használata során a kezelőszemélynek le kell vennie az önsötétedő szűrő védőfóliáját, ellenkező esetben a sötétítési érték hibás lehet vagy nem biztos, hogy működni fog a szűrő.
2. Győződjön meg róla, hogy a pajzs alkalmas a tervezett munkára és a



pajzs minden eleme a helyén van, megfelelően van felszerelve és megfelelően működik.

- Végrehajti fejpánt beállítását, hogy optimálisan illeszkedjen a felhasználó fejére.
- Végrehajti a megfelelő érzékenység, a késleltetési idő és a hegesztőszűrő sötétítési szintjének a beállítását.

### 7. A PAJZS FEJHEZ ILLESZTÉSE (lásd: C ábra, 2. oldal):

Használat előtt állítsa be a pajzsot a maximális védelem és a kényelmes használat érdekében.

A hegesztőpajzs megfelelő beállításának köszönhetően maximális védelmet biztosít a szemeknek az ultraibolya (UV) és az infravörös (IR) sugárzással szemben.

#### ■ A fejpánt beállítása

A kezelőszemély fejére illeszkedő fejpánt kerületét a fejpánt hátsó részén lévő tekerőgombbal lehet növelni vagy csökkenteni:

- A kerület csökkentéséhez nyomja be az **A** tekerőgombot és forgassa el jobbra.
- A kerület növeléséhez nyomja be az **A** tekerőgombot és forgassa el balra.

A fejpánt kerülete akkor van helyesen beállítva, ha a hegesztőpajzs nem esik le a kezelőszemély fejéről, illetve a fejpánt nem fejt ki túl nagy nyomást a kezelőszemély fejére.

A pajzs túl magas elhelyezése a kezelőszemély fején a pajzs leesését, a pajzs túl alacsony elhelyezése kényelmetlen viselést okozhat. A pajzs optimális elhelyezését a kezelőszemély fején a fejrész felső részén lévő **B** fejpánttal lehet végrehajítani.

Ellenőrizni kell a fejpánt fejhez illeszkedését a fejen lévő hegesztőpajzs többszöri megemelésével és leengedésével. Ha a fejpánt megfelelően van beállítva, a hegesztőpajzsnak stabilan kell feküdnie a kezelőszemély fején. Nem megfelelő fekvés esetén újra kell állítani a fejpántot.

#### ■ A pajzs és a kezelőszemély arca közötti távolság beállítása:

E célból lazítsa meg a **C** rögzítő anyacsavart és helyezze át a csavart a **D** négyzetes nyíláson a fejrész rögzítésén, a pajzs archoz közelebb vagy távolabb mozgatásával. A beállítás után húzza meg a **C** anyacsavart.

**FIGYELEM!** A szabályozást a pajzs mindkét oldalán végre kell hajtani. A lehető legjobb élesség eléréséhez a lehető legkisebb távolságot ajánlott hagyni a szűrő és a szemek között.

#### ■ Pajzs leengedési szögének a beállítása

Ha a maszk leengedési szöge nem megfelelő a kezelőszemély számára, a szabályozást a következőképpen kell végrehajítani:

- Lazítsa meg a **C** anyacsavart.
- Végezze el a pajzs leengedési szögének a módosítását.
- Húzza meg a **C** anyacsavart.

**FIGYELEM!** A pajzs megfelelő leengedési szöge megvédi a fröccsenések és sugárzás kezelőszemély állá alátartásától.

### 8. HASZNÁLAT:

#### ■ A hegesztőpajzs tápellátása

A hegesztőpajzs tápellátása napelemekkel töltött két CR2032 3V lítiumos elemmel történik. Normál hegesztési feltételek mellett az elemek 5000 munkaórányi élettartamot biztosítanak.

A szűrők bekapcsolását és kikapcsolását a fényérzékelők automatikusan ellenőrzik.

A belső vezérlőpanelen van a hegesztőpajzs automatikájának a

megfelelő működését ellenőrző „TEST” gomb (a munkamód kapcsolót a hegesztésre kell állítani) és az akku töltési szintjét jelző diódás jelző. Az alacsony feszültséget jelző dióda nem működik, ha a szűrő tápellátása nem elegendős. A dióda világítása az elem cseréjének a szükségességét jelzi.

#### ■ Hegesztőpajzs sötétítési szintjének a kiválasztása:

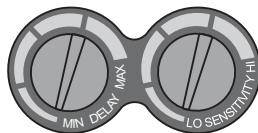
A 4. oldalon található táblázat segítségével válassza ki az adott hegesztési folyamatnak megfelelő sötétítési szintet és állítsa a munkamód beállító tekerőgombot és az **5** sötétítési szintet (lásd a **C** ábrát) a megfelelő **9-13** pozícióra.

A köszörülés során be kell állítani az **5** tekerőgombot **KÖSZÖRÜLÉS/GRIND** pozícióra, a sötétítés kikapcsolásával.

#### ■ Érzékenység és hegesztés utáni kivilágosodási idő beállítása:

A hegesztés megkezdésének a pillanatában a szűrő 1/25000 s alatt automatikusan világosról sötétre vált.

A szűrő villamos ív érzékenységének a fokozatmentes beállítása a szűrő kazettáján lévő **ÉRZÉKENYSÉG/SENSITIVITY** tekerőgombbal történik. Alacsony áramerősség vagy TIG módszer esetén magasabb beállítások ajánlottak (**HI**), magas áramerősség vagy MIG/MAG módszer esetén alacsonyabb értékek (**LO**).



A kezelőszemély szabályozni tudja a szűrő kivilágosodásának késleltetését a szűrő kazettáján, az **ÉRZÉKENYSÉG/SENSITIVITY** érzékenység szabályozó tekerőgomb mellett lévő **KÉSLELTETÉS/DELAY** tekerőgombbal. Ez a tekerőgomb 0,1 s és 1,0 s közötti fokozatmentes szűrő reakcióidő szabályozást tesz lehetővé.

A késleltetési idő a hegesztett elem varratának a fénycsökkentése hatás kompenzálja. A **MIN** beállítás (minimális késleltetési idő), **MAX** (maximális késleltetési idő).

### 9. PROBLÉMA MEGOLDÁS:

#### 1. Szabálytalan sötétítés

- A fejpánt rosszul van beállítva és eltérő távolság van a szemek és a szűrő üvege között (módosítsa a fejpánt beállítását, hogy csökkenjen a szűrő és a szemek közötti távolság).

#### 2. Az önsötétető szűrő nem sötétedik vagy villogás lép fel.

- A külső plexi koszos vagy sérült (megtisztítani vagy kicserélni).
- Az érzékelők koszosak (megtisztítani az érzékelők felületét).
- Túl alacsony hegesztőáram (állítsa az érzékenység kapcsolót "MAX" pozícióba).
- Lemerültek az elemek (kicserélni az elemeket).

#### 3. Lassú reakció

- Túl alacsony munkahőmérséklet (a hegesztőpajzsot nem szabad -5°C alatti hőmérsékleten használni).

#### 4. Rossz láthatóság

- első / belső üveg és/vagy a szűrő koszos (megtisztítani vagy



kicserélni).

- b) Nem elégséges környezeti fény (megfelelő megvilágítást biztosítani).
- c) Hibásan beállított sötétítési érték (ellenőrizze az útmutatóban megadott ajánlott sötétítési értékeket és állítsa be helyesen).

## 5. A hegesztőpajzs lecsúszik a fejről

- a) A fejpánt nincs megfelelően beállítva (beállítani a fejpántot).

## 10. KARBANTARTÁS ÉS TÁROLÁS:

Rendszeresen és figyelmesen el kell végezni a hegesztőpajzs karbantartási munkálatait. A karbantartási műveletek alapos végrehajtása hozzájárul a maszk jó műszaki állapotának a megőrzéséhez.

A termék a mellékelt egységscomagolásban, sötét, száraz, megfelelően szellőztetett és zárt helyiségben tartandó. A tárolás során betartani a -20 st. C. és +70 st. C közötti tárolási hőmérséklet tartományt. Óvni a kosztól, portól és az egyéb szennyeződésektől (fóliazsákok, tasakok stb.). Óvni a mechanikus sérülésektől. Szállítása – a mellékelt egységscomagolásban, kartonban, zárt szállítóeszközön szállítani.

### ■ Tisztítás

A szűrőt tiszta és sima törülköendővel vagy pamut anyaggal kell tisztítani. Ne merítse vízbe a hegesztőpajzsot és a szűrőt és sohasé használjon a tisztításához súroló anyagot, oldószert és olaj alapú mosószereket.

Ne nyissa fel önállóan a szűrő kazettáját. A kazettát a márkaszerviz vagy szakember nyithatja fel. A kazetta sajátkezü felnyitása a garancia elvesztését eredményezi.

### ■ Védőüveg cseréje:

A szűrő sokéves üzembiztos működésének a biztosításához tilos a hegesztőpajzs polikarbonát védőüveg nélküli használata. Rendszeresen cserélni kell a külső védőüveget, amely az üveget ért fröccsenések hatására természetesen úton mattosodik.

A védőüveg cseréje céljából előbb ki kell szerelni az önsötétedő szűrő kazettáját, majd kivenni az üveget a pajzs belseje irányába mozgatva.

**FIGYELEM!** A szűrőbetét cseréjét és betelepítését megfelelő szaktudással rendelkező szakember végezheti.

### ■ A szűrőelemek cseréje

Ha kigyullad a „LOW BATTERY” jelzésű dióda, a lemerült elemeket új

elemekre kell cserélni.

Az elemek a szűrő kazettában két egymástól független elemtartóban vannak. Az elemek cseréjéhez el kell forgatni és le kell venni az elemtartó fedelet. Ki kell venni a lemerült elemeket és újra kell cserélni.

Zárja be a fedelet és cserélje ki a másik elemet a fent leírt módon.

**FIGYELEM!** Az elemeket csak párosával szabad cserélni. Ne keverje össze a lemerült és az új elemeket.

### KÖRNYEZETVÉDELME:



**FIGYELEM!** Ez a jel azt jelöli, hogy a használt készüléket tilos egyéb hulladékkal egy helyen elhelyezni (pézbüntetetés terhe mellett). Elektromos és elektronikus gépek veszélyes alkotórészei negatívan befolyásolják a környezetet és az emberek egészségét.

Minden háztartásnak hozzá kell járulnia a használt készülékek visszanyeréséhez és újrahasznosításához. Úgy Lengyelországban, mint Európában megszervezik vagy már létezik a használt készülékek gyűjtési rendszere, melynek keretében az adott készülék minden értékesítési helyén kötelesek átvenni a használt készüléket. Ezenkívül léteznek ilyen típusú készülékek gyűjtő központjai is.

### 11. SZÜRŐ JELŐLESEK MAGYARÁZATA:

**MODEL: ADF GX-8005** – önsötétedő szűrő modell;

**CAN/CSA Z94.3** – kanadai biztonsági szabvány;

**ANSI Z87.1** – amerikai biztonsági szabvány;

**4/9-13 GX 1/1/1/2/379 CE** – hegesztőszűrő jelölése manuálisan szabályozható védelmi szinttel, ahol:

**4** – világos állapot száma; **9** – legvilágosabb sötét állapot száma; **13** – Legsötétebb állapot száma; **GX** – a gyártó jele; **1** – optikai osztály; **1** – fényszórásos osztály; **1** – fényáteresztési együttható eltérési osztálya; **2** – fényáteresztési együttható szögétől való függőségi osztálya; **379** – EN 379 automata hegesztőszűrőkre vonatkozó európai szabvány száma, **CE** – EK irányelveknek való megfelelés.

### IMPORTŐR/MEGHATALMAZOTT KÉPVISELŐ:

Prefix Sp. z o.o.,

ul. Marywilka 34,

03-228 Warszawa, Lengyelország



A PROFIX cég politikája az, hogy folyamatosan tökéletesítse termékeit, ezért fenntartja magának azt a jogot, hogy a termék specifikációit előzetes tájékoztatás nélkül módosítsa! A használati utasításokban megjelölt ábrák csak példák, ezek kicsit eltérhetnek a megvásárolt eszköz valódi arculatótól!

Az alábbi útmutatót szerzői jogok védik. Annak masolása / sokszorosítása a Prefix Sp. z o.o. cég írásos beleegyezése nélkül tilos.

## 12. GARANCIA:

A garanciális szolgáltatások igénybevételéhez a hibás terméket a vásárlás helyén vagy a PROFIX cég márkaforgalmazásaiban vagy azon értékesítési pontjain tudja visszatéríteni, ahol az adott terméket megvásárolta. A termék visszatérítése előtt meg kell ismerkednie a visszatérítés szabályaival. A termékkel együtt mellékelni kell a termék azonosításához szükséges információkat, a modell számával és a szériaszámmal együtt, valamint a bejelentett probléma részletes leírását. Mellékelni kell továbbá a vételi bizonylatot, amely igazolja, hogy nem járt le a garanciális időszak.

1. A termékre a vásárlás dátumától számított két év garancia jár.
2. A garanciális időszakon belül feltároló hibák a termék eljuttatásától számított 14 munkanapon belül kerülnek elhárításra és a garanciális időszak a javítás időtartalmával meghosszabbodik.
3. A garanciakártya akkor érvényes, ha rendelkezik a beírt vásárlási dátummal, az értékesítési pont bélyegzőjével vagy a vételi bizonylattal.
4. A garanciális javítás végrehajtásához a terméket önköltségen kell eljuttatni az értékesítési pontra. A javítás végrehajtása után a termék a jótálló költségen kerül visszaküldésre a reklamációt benyújtó személynek.
5. A reklamációt benyújtó személynek a hegesztőpajzsot szállítási sérülésekkel szemben megfelelő védelmet nyújtó csomagolásban kell átadni.
6. A hegesztőpajzs elvesztéséért a pajzs átvételének a pillanatáig a reklamáló személy felel. A jótálló köteleiséget vállal a megjavított hegesztőpajzs visszajuttatására a reklamáló személynek és felelősséget vállal annak szállítása során bekövetkező esetleges elvesztéséért.
7. A garanciális időszakon belül a sérült készülék megjavítása, vagy annak esetleges kicserélése ugyanolyan, hibáktól mentes készülékre díjmentesen történik. Abban az esetben, ha a készülék megjavítása vagy kicserélése nincs lehetőség, a reklamáló személy visszakapja a termék árát, vagy hasonló tulajdonságú készüléket választhat. A termékek közötti esetleges árkülönbötetet a garanciavállaló vagy a reklamáló személy állja, a reklamáló személy által kiválasztott készülék költségétől függően.
8. A jelen garancia a készülék megfelelő használata alatt jelentkező, valamint a gyártási hibák okozta meghibásodásokra terjed ki és nem vonatkozik kopó anyagokra vagy a készülék további felszerelésére.
9. A garancia nem terjed ki a felsorolt jelenségek okozta meghibásodásokra:
  - a készülék felhasználó vagy más, jogosulatlan személy által végrehajtott javításra, átalakításra vagy szerkezeti módosításra.
  - mechanikus, termikus, vegyi sérülésekre vagy a készülék szándékos rongálására.
  - a pajzs tárolása vagy karbantartása, valamint a felhasználó hibájából származó egyéb sérülésekre.
  - A termék természetes elhasználódása okozta minőségcsökkenésre, pl. a külső bevonat kopására, karcolásra, az üvegek repedésére, stb.
  - A megfelelő üzemeltetés be nem tartása, valamint a készülék rendeltetéstől eltérő használata okozta meghibásodására.

A jótálló az értékesítési dokumentumokkal kapcsolatos formális hibák miatt is visszautasíthatja a reklamáció elfogadását, pl. ki nem töltött garanciakártya, vételi bizonylat hiánya stb.

.....  
**A vásárlás dátuma és az eladó bélyegzője**

## ASZERVIZ CÍME:

**Profix Sp. z o.o.**

ul. Dobra 3

Łomna-Las

05-152 Czosnów

**e-mail:** serwis@profix.com.pl

**tel.** 022 785 96 75



**PRE BEZPEČNÉ POUŽÍVANIE SI MUSÍTE PODROBNE PREČÍTAŤ NÁVOD NA OBSLUHU VÝROBKU.**

Návod uchovajte pre prípadné neskoršie využitie.

### 1. URČENIE A CHARAKTERISTIKA VÝROBKU:

Zváraciahelma **LAHTI PRE L1540500** so samostmievacím filtrom je určená naochránutvára a očí proti iskrám, striekajúcejmu kovu a škodlivému žiareniu počas zvárania. Splňuje požiadavky normy EN 379:2003+A1:2009, EN 175:1997 a Nariadenie 2016/425.

Internetovej adresy, na ktorej je možné nájsť EÚ vyhlásenie o zhode: [www.lahtipro.pl](http://www.lahtipro.pl)

Skúšky kukly prebehli v: **DIN CERTCO Gesellschaft für Konformitätsbewertung mbH**, Alboinstraße 56, 12103 Berlin, Germany.

Č. notifikovanej jednotky: 0196.

Helmu je možné použiť aj ako osobný ochranný prostriedok počas drobných a krátkodobých brúsičských prác (brúsenie kovových povrchov s použitím brusných listových kotúčov). Nieje vhodná na osobnú ochranu počas procesu rezania kovov brusnými kotúčmi.

Helma je vybavená veľkým priezorom s rozmermi 100x50 mm. Samostmievací filter rozžiarení oblúku sa automaticky mení zo svetlého na tmavý a po skončení svárenia sa opäť zosvetľuje.

Helma zaisťuje kompletnú ochranu proti UV/IR žiareniu (ultrafialové/infráčervené), aj vtedy, keď je filter zosvetlený. Dva fotosenzory zaručujú správne fungovanie helmy za každých podmienok a v každej polohe.

Helma je pripravená na okamžité použitie, je juiba treba prispôbiť podľa veľkosti hlavy zvärača a zvoliť aj nastavenie správnych úžitkových parametrov.



**POZOR! Zváracia helma spĺňa normy platné pre bezpečnosť zvárania.**

**Bezpečné používanie tohto výrobku vyžaduje riadne vyškolení v oblasti zvárania. Mali by ju používať iba vyškolení zvärači.**

**Nepoužívajte masku bez ochranného skla alebo z filtra.**

**Nepoužívajte masku, pokiaľ je akákoľvek jej časť poškodená.**

**Používajte v prostredí s teplotným rozsahom od -5°C do +55°C.**



#### VÝSTRAHA!

Zváracia helma nie je vhodná pre použitie pri rezaní laserovými a acetyleno-kyslíkovými horákmi.

Helma nie je ochranou proti výbušným látkam alebo žieravinám.

Helma nie je ochrana proti silným úderom, napr. brusnými kotúčmi.

Nikdy nepokladajte helmu na rozohriate povrchy.

### 2. KONŠTRUKCIA HELMY:

Samostmievací zväracia helma je konštruovaná z troch základných modulov:

- tela prilby, vyrobeného z termostabilného, odolného proti opotrebovaniu polyméru, do ktorého sa nezataví kov;
- sústavy zavesenia upevnenia na hlavu;

- samostmievacieho filtra.

#### ■ Časti helmy (vid' obr. A, str. 2):

1. Telo helmy
2. Nastaviteľná prípevnenie
3. Mechanizmus prispôsobenia upevnenia ku obvodu hlavy
4. Mechanizmus nastavenia uhlu sklonu prilby a vzdialenosti medzi očami zvärača a sklom ochranného filtra
5. Kolesko nastavenia pracovného režimu a stupňa stemnenia
6. Vonkajšie ochranné sklo
7. Kazeta filtra
8. Vnútorne ochranné sklo

#### ■ Prvok samostmievacieho filtra (vid' obr. B, str. 2):

1. Tlačidlo TEST
2. Nastavení času zosvetlenia po zváraní
3. Nastavení citlivosti
4. Vnútorne ochranné sklo
5. Schránka na batérie
6. Ukazovateľ/vybitia batérie
7. Solárne články
8. UV/IR filter
9. Fotosenzor

### 3. TECHNICKÉ ÚDAJE:

MODEL	L1540500
<b>Napájania:</b> solárne články + 2x líthiove CR2032 vymeniteľné batérie	
Zapínanie/vypínanie	automatické
Rozmery zorného pola	100x50 mm
Rozmer filtra	110x90x10 mm
Stupeň stemnenia v svetlom stave	4 podľa DIN
Stupeň ochrany pred žiarením UV/IR	Pevný - 16 podľa DIN
Rozsah stupňovstemnenia	9-13 podľa DIN
Oneskorenie prepnutia- svetlý/tmavý	1/25000 s
Oneskorenie prepnutia- tmavý/svetlý	0.1~1.0 s
Citlivosť/oneskorenie	plynulé nastavenie
Pracovná teplota	od -5°C do +55°C
Teplota uchovávanía	od -20°C do +70°C
Počet fotosenzorov oblúku	2
Funkcia „brúsenia“	áno
Materiál helmy	polyamid, polypropylén, polyetylén
Samokontrola filtra	áno
Čelková hmotnosť	480 g
Rozmery škatulky	330x230x230 mm

#### 4. ODPORÚČANÉ STUPNESTEMNENIA:

V nasledujúcej tabuľke sú prezentované odporúčané stupnestemnenia pre určitú zväračskú metódu a hodnoty zväračieho prúdu. Na voľbu stupňastmavnutia má vplyv aj:

–druh základného kovu;

–stupeň osvetlenia(hodnoty uvedené v tabuľke odpovedajú priemerným pracovným podmienkam, pri ktorých vzdialenosť očí zvärača od tavného kúpeľa je cca 50 cm, a priemerná intenzita osvetlenia je cca 100 lx);

–postavenie operátora voči plameňu elektrického oblúku. V závislosti na tom, či sa zvärač skláňa nad zväraným predmetom alebo pracuje s

vytiahnutými rukami, je možné, že bude treba zmeniť minimálne o jeden stupeň zatemnenie;

–ľudský činiteľ(hodnoty uvedené v tabuľke odpovedajú zväračom s normálnym zrakom. Osoby so zrakovými problémami by mali zvoliť hodnotu stupňastemnenia podľa individuálnych potrieb, tak že vyskúša striedavo väčšie alebo menšie stupnestemnenia);

–pre prácu vykonávanú vonku pri silnom slnečnom svetle sa odporúča zvýšenie stemnenia o minimálne jeden stupeň;

V závislosti na podmienkach, za ktorých prebieha proces zvärania, môže byť treba zvýšiť/znížiť stupeň stemnenia.

PROCES ZVÁRANIA	INTENZITA PRÚDU (A)																					
	1,5	6	10	15	30	40	60	70	100	125	150	175	200	225	250	300	350	400	450	500	600	
SMAW	8			9			10			11			12			13			14			
MAG	8						9			10			11			12			13			14
TIG	8			9			10			11			12			13			14			
MIG ťažkých kovov	9						10			11			12			13			14			
MIG ľahkých zliatin	10						11			12			13			14						
SAW	10						11			12			13			14			15			
PAC	9						10			11			12			13						
PAW	4	5	6	7	8	9	10	11	12	13	14	15	16	17	18	19	20	21	22	23	24	

#### ■ Vysvetlenie skratiek:

**SMAW** – zväranie obalenou elektródou

**MAG** – zväranie elektródou taviacou sa v ochrannej atmosfére z aktívneho plynu;

**TIG** – zväranie wolframovou elektródou taviacou sa v ochrannej atmosfére z inertného plynu;

**MIG** – zväranie elektródou taviacou sa v ochrannej atmosfére z inertného plynu;

**SAW** – zväranie pod tavivom;

**PAC** – rezanie plazmovým prúdom;

**PAW** – zväranie mikroplazmovým oblúkom.

#### 5. PRAVIDLA BEZPEČNÉHO POUŽITIA:



**POZOR!** Pred použitím zväračské prílby je treba sa bezpodmienečne zoznámiť s týmto návodom na obsluhu. Je treba dodržiavať pravidla BOZP platná vo výrobnom závode. **Pokiaľ bude zistené vo fungovaní helmy niečo nesprávne, vzniknú pochybnosti o jej správnom použití, je to treba nahlásiť nadriadenému alebo kontaktovať miestny autorizovaný servis.**

- Je zakázané používať helmu inak, ako je určené.
- Pred každým zahájením práce je treba vyhodnotiť technický stav a prevádzkyschopnosť zväračskej helmy. Helma stráca použiteľnosť, keď sa na nej vyskytnú poškodenia, matné miesta, zmeny farieb, poškriabanie a praskliny ochranného skla alebo helmy. V takom prípade je treba helmu alebo sklo vymeniť na nové. **POZOR!** Na výmenu je možné použiť iba originálne a správne zvolené časti.
- V závislosti na postupu svárení, ktoré chce užívateľ vykonávať, mal by zvoliť stupeň stmavenia filtra.
- V prípade zistenia akýchkoľvek nezrovnalostí s fungovaním helmy, predovšetkým nesprávneho fungovania samostmievacieho filtra (napríklad: stmievanie filtra nefunguje, príliš neskoré stmievanie, príliš rýchle zosvetlenie), poškodení tela helmy apod., je treba

okamžite prerušiť prácu a nahlásiť problém nadriadenému alebo kontaktovať miestny autorizovaný servis.

- Helma nechráni proti vymršteným predmetom.
- Helma nie je ochrana proti žeravinám ani výbušninám.
- Je zakázané pokladať helmu a samostmievací filter na horľavých plochách.
- Počas používania helmy musí byť vždy namontované vonkajšie ochranné sklo. Práca bez namontovaného vonkajšieho ochranného skla môže mať za dôsledok poruchu helmy a stratu záruky.
- Pravidelne vymieňajte vonkajšie ochranné sklo. Používajte pôvodné sklo.
- Je treba sa vyhýbať polohám, ktoré umožňujú, aby sa kovové triesky a žiarenie dostali na nechránené časti tela (zvärania nad hlavou). Pokiaľ by to nebolo možné, je treba používať dodatočné zaistenie.
- Chráňte filter proti kvapalinám alebo špínu. Vyhnite sa kontaktu s vodou alebo nadmernou vlhkosťou.
- Pred každým použitím je treba očistiť helmu zo znečistení a skontrolovať, či fotosenzory a solárne články umiestnené vpredu helmy nie sú zakryté.
- Chráňte helmu a jej časti proti rozpušťačiam, na čistenie používajte mäkkú vlhku handru.



**POZOR!** Vykonávanie akýchkoľvek úprav zväračskej helmy, používanie helmy v nesúlade s jej určením, nepochybné pokyny uvedené v tomto návode vystavuje užívateľa na nebezpečenstvo úrazu a má za dôsledok stratu záruky.

#### 6. PRÍPRAVA NA POUŽITIE:

Helma sa dodáva v zmontovanom stave pripravená na použitie. Avšak pred zahájením je treba vykonať nasledujúce činnosti:

1. Pri prvom použití zväračkej helmy by mel zvärač zložiť ochrannú fóliu z osmozotmavujúceho filtra, inak stupeň stmavenia môže byť nesprávny alebo filter môže nefungovať.

- Presvedčíte sa, že je helma vhodná pre plánovanú prácuže všetky časti helmy sú na svojom mieste, sú správne namontované a správne fungujú.
- Vykonajte nastavenie sústavy zavesenia a upevnenia na hlavu, aby optimálnedržalo na hlave užívateľa.
- Vykonajte príslušné nastavenie citlivosti, doby oneskorenia alebo úrovnestemneniazváračského filtra.

## 7. PRISPŮSOBENÍ HELMY (vid' obr. C, str. 2):

Pred použitím helmy je ju treba nastaviť za účelom zaistenia maximálnej ochrany a pohodlia pri používaní.

Vďaka správne nastavení helmy získavate maximálnu ochranu očí proti ultrafialovému (UV) a infračervenému (IR) žiareniu.

### ■ Nastavenie čelenky

Obvod celkovo opaski na gľowé operatora možna zwiększać lub zmniejszać poprzez pokręćło znajdujące się w tylniej części opaski:

- Pre zmešenie obvodu je treba stlačiť koliesko **A** a otáčať ho doprava.
- Pre zväčšenie obvodu je treba stlačiť koliesko **A** a otáčať ho doľava.

Správne nastavenie obvodu čelenky je vtedy, keď zväračská helma nepadá z hlavy zvärača a čelenka príliš netlačí.

Príliš vysoké umiestnenie helmy na hlavezvärača môže spôsobiť jej spadnutie, príliš nízke umiestnenie helmy môže byť príčinou nepohodlia pri používaní. Optimálne umiestnenie helmy na hlavezvärača je ide nastaviť s použitím páska **B**, ktorý je v hornej časti upevnenia.

Je treba skontrolovať dobré prispôsobenie čelenky hlave tak, že niekoľko razy zdvihnete a spustíte helmu, keď je na hlave. Pokiaľ je čelenka správne nastavená, mela by helma stabilnedržať na hlavezvärača. V prípade zistenia nesprávnosti opäť čelenku nastavte.

### ■ Nastavení vzdialenosti medzi helmou a tvárou zvärača:

Za týmto účelom uvoľnité upevňujúce matice **C** a preložte skrutky cez štvorcové otvory **D** v upevní, posuňte helmu bližšie alebo ďalšie od tváre. Po nastavení utiahnite skrutky **C**.

**POZOR!** Nastavení je treba vykonať na oboch stranách helmy. Za účelom zaistení najlepšej ostroti sa odporúčača najmenšia vzdialenosť medzi filtrom a očami.

### ■ Nastavenie uhla spustenia prietozoru

Pokiaľ nie je uhol sklonu štítu pre zvärača vhodný, je možné vykonať jeho nastavenie:

- Povolíť upevňujúce matice **C**.
- Vykonať zmenu nastavenia uhla sklonu helmy.
- Utiahnuť upevňujúce matice **C**.

**UWAGA!** Správny uhol sklonu helmy chráni proti prieniku odstrekujuceho kovu a žiarenia smerom ku podbradku zvärača.

## 8. POUŽÍVANIE:

### ■ Napájanie helmy

Napájanie helmy prebieha z dvochlithiových batérií CR2032 3V nabíjaných solárnymi článkami. Za bežných podmienok zvärania to zaisťuje životnosť batérií na 5000 pracovných hodín.

Zapínanie a vypínanie filtra je automaticky kontrolované fotosenzormi. Na vonkajšom ríadiacom panelu sa nachádza tlačidlo „TEST“, umožňujúce kontrolovať správne fungovanie automatiky helmy (prepínač pracovného režimu by mal byť nastavený na zväranie), a diódový ukazovateľ stavu vybitia batérií. Dióda nízkého napätia nefunguje, keď je napájanie filtra nedostatočné. Svetlení diódy ohlasuje nutnosť vymeniť

batérie.

### ■ Volba úrovnestemneniapríetozoru:

S použitím tabuľky na str. 4 zvolíte úroveň stemnenia vhodnú pre určitý proces zvärania a otočíte kolieskom nastavenia pracovného režimu a stupňa stemnenia **5** (pozri obr. C) do príslušnej polohy **9-13**.

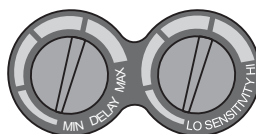
Počas brúsenia je treba nastaviť koliesko **5** do polohy **BRÚSENIE/GRIND**, čím bude vypnuté stemňovanie.



### ■ Nastavenie citlivosti a času zosvetlenia po zväraní:

Vo chvíli zahájenia zvärania sa filter automaticky zmení zo svetlého na tmavý počas 1/25000 s.

Plynulé nastavenie citlivosti filtra na elektrický oblúk sa robí kolieskom **CITLIVOSŤ/SENSITIVITY** umiestneným na kazete filtra. Pre nízke prúdy alebo pre metódu TIG sa odporúča vyššie nastavenie (**HI**), pre vysoké prúdy alebo metódu MIG/MAG nižšie hodnoty (**LO**).



Operator má možnosť nastaviť dobu oneskorenia prepínanie filtra z tmavého na svetlý s použitím kolieska **ONESKORENIE/DELAY** umiestneného na kazete filtra vedľa kolieska nastavenia citlivosti – **CITLIVOSŤ/SENSITIVITY**. Toto koliesko umožňuje plynulé nastavovanie času reakcie filtra od 0,1 s do 1,0 s.

Doba oneskorenia kompenzuje efekt osvetlenia vznikajúceho na zväranom prvku. Nastavenie **MIN** (minimálna hodnota doby oneskorenia), **MAX** (maximálna hodnota doby oneskorenia).

## 9. RIEŠENIE PROBLÉMOV:

### 1. Nepravidelné stemnenie

- Čelenka bola nastavená nesprávne avyskytuje sa nerovná vzdialenosť od očí ku sklu filtra (zmeniť nastavení čelenky, pre zníženie vzdialenosti od filtra).

### 2. Samostmievací filtera nezatemňuje alebo sa vyskytuje blikanie.

- Predné sklo je zašpínené alebo poškodené (vyčistiť alebo vymeniť).
- Senzory sú zašpínené (vyčistiť povrch senzorov).
- Prúd zvärania je príliš nízky (premiestniť prepínač citlivosti do polohy "MAX").
- Batérie napájania sú vyčerpané (vymeniť batérie).

### 3. Pomalá reakcia

- Pracovná teplota je príliš nízka (nepoužívajte helmu pri teplote pod -5°C).

### 4. Slabá viditeľnosť

- Prední sklo / vnútorné a/alebo filter je zašpínovaný (vyčistiť alebo vymeniť).
- Pracovné osvetlenie je nedostatočné (správne osvetliť).
- Nesprávne nastavený stupeň zatemnenia filtra (skontrolovať odporúčané stupne stemnenia uvedené v tomto návodu a nastaviť správne).

odporúčané stupňestemniauvedené v tomto návodu a nastaviť správne).

## 5. Helma sa zosúva z hlavy

- a) Čelenka na hlavu nie je nastavená správne (nastaviť čelenku).

## 10. ÚDRŽBA A UCHOVÁVANIE:

Je treba pravidelne a starostlivo vykonávať údržbu helmy. Umožní to uchovávať masku v dobrom technickom stave.

Výrobok je treba uchovávať v dodávaných jednotkových obaloch v tmavom, suchom, vzdušnom a uzavretom priestore. Počas uchovávania neprekračujete teplotný rozsah od -20 st. C. do +70 st. C. Chráňte proti prachu iným znečisteniam (fóliové vrecia, tašky apod.) Chráňte proti mechanickým poškodeniam. Doprava – v dodávaných jednotkových obaloch, v škatuliach, v uzavretých dopravných prostriedkoch.

### ■ Čistenie

Filter je možné čistiť s použitím čistej a hladkej handry alebo bavlnenej látky.

Nepoužívajte helmu a filter do vody a nikdy nepoužívajte brusné prostriedky, rozpúšťadla a saponáty na olejovej báze.

Neotvárajte samostatne kazety filtra. Kazeta filtru môže byť namontovaná autorizovaným servisom alebo kvalifikovanou osobou.

V inom prípade dójde kustrate záruky.

### ■ Výmena ochranného skla:

Za účelom zaistenia dlhoročnej bezporuchovej činnosti filtruje zakázané používať helmy bez poly karbonátových ochranných skiel. Je treba pravidelne meniť predné ochranné sklo, nakoľko sa pravidelne stáva matné v dôsledku úderov striekajúceho kovu a triesok pri zväraní.

Za účelom výmeny ochranného skla je treba najskôr vymontovať kazetu samostmievaťajúceho filtra a následne sklo vybrať smerom do vnútra helmy.

**POZOR!** Výmenu a inštaláciu filtrujúcej vložky by mel vykonávať kvalifikovaný a vyskolený zamestnanec.

### ■ Výmena batérií napájania filtra

Pokiaľ zasvietikontrolka označená „LOW BATTERY“ je treba vymeniť batérie za nové.

Batérie sú umiestnené v dvoch nezávislých schránkach na kazete filtra. Za účelom výmeny batérií je treba otočiť a zložiť kryt schránky. Vypotrebovanú batériu vyberte zo schránky a dajte tam novú.

Uzatvorte kryt a zopakujte hore opísanú operáciu s druhou batériou.

**POZOR!** Vymieňajte vždy celý pár batérií. Nepoužívajte použité batérie za nové.

## OCHRANA ŽIVOTNÉHO PROSTREDIA:



**POZOR!** Zobrazený symbol znamená zákaz likvidácie zariadení dokopy s inými odpadmi (na porušení zákazu sa vzťahuje pokuta). Nebezpečné zložky, ktoré sa nachádzajú v elektrickom a elektrotechnickom vybavení majú negatívny vplyv na životné prostredie a ľudské zdravie.

Domácnosti by sa mali zapojiť do získavania späť a opätovného využívania (recyklácie) starých elektrospotrebičov. V Poľsku a v Európe sa vytvára alebo už jestvuje systém zberu elektroodpadu, V rámci ktorého majú všetky predajné miesta elektrospotrebičov povinnosť prijímať elektroodpad. Okrem toho existujú zberné miesta pre elektroodpad.

## 11. VYSVETLENÍ OZNAČENÍ FILTRU:

**MODEL: ADF GX-800S** – model samostmievaťajúceho filtra;

**CAN/CSA Z94.3** – kanadská bezpečnostná norma;

**ANSI Z87.1** – americká bezpečnostná norma;

**4/9-13 GX 1/1/1/2/379 CE** – označení zväračského filtru manuálnym nastavením stupne ochrany, kedy:

**4** – č. svetlého stavu; **9** – č. najsvetlejšieho tmavého stavu; **13** – č. najtmavšieho stavu; **GX** – symbol výrobcu; **1** – optická trieda; **1** – trieda rozprášenia svetla; **1** – trieda odklonenia súčiniteľa priepustnosti svetla; **2** – trieda závislosti súčiniteľa priepustnosti svetla od uhla; **379** – č. európskej normy týkajúcej sa automatických zväračských filtrov EN 379, **CE** – značka zhody so smernicami nového prístupu ES.

## IMPORTÉR/OPRÁVNENÝ ZÁSTUPCA:

Prefix Sp. z o.o.,

ul. Marywilka 34,

03-228 Warszawa, Poľsko



Politika firmy PROFIX je politikou prúběžného zdokonalování výrobků, z toho důvodu si firma vyhrazuje právo změnit specifikaci výrobku bez předchozího informování. Obrázky, uvedené v návodu na obsluhu, jsou pouze příklady a mohou se lišit od skutečného vzhledu zakoupeného zařízení.

Tento návod je chráněný autorským zákonem. Jeho kopírování / rozmnožování bez písemného souhlasu společnosti PROFIX s.r.o. je zakázané.

## 12. ZÁRUKA:

V rámci záručných služieb je možné vrátiť špatný výrobok na mieste, kde bol kúpený, alebo u autorizovaného dodávateľa alebo predajcu výrobkov firmy PROFIX, od ktorého bol tento výrobok kúpený. Pred vrátením výrobku je treba získať informácie o pravidlách vrátenia. Obyčajne je treba uviesť informácie umožňujúce identifikáciu výrobku, spoločne s číslom modelu a sériovým číslom, apodrobný popis nahláseného problému. Je treba tiež pripojiť doklad o nákupe v maloobchodnej predajni, ktorý potvrdzuje záručnejehoty.

1. Záruka na výrobok zahŕňa dva roky od dátumu nákupu.
  2. Vady zistené počas záručnejehoty budú odstránené zadarmo v termíne 14 pracovných dní od dátumu dodania výrobku na adresu predávajúcej firmy a záručná lehota bude predĺžená o dobu trvania opravy.
  3. Záruční list je platný, pokiaľ je na ňom uvedený dátum nákupu, pečiatka predajní alebo je priložený doklad o nákupe.
  4. Za účelom vykonania záručnej opravy je treba výrobok dodať na vlastné náklady do predajného miesta. Po vykonaní opravy bude výrobok odoslaný predkladateľovi reklamácie na náklady poskytovateľa záruky.
  5. Predkladateľ reklamácie by mal helmu dodať príslušne zaistenú proti poškodeniu počas dopravy.
  5. Predkladateľ reklamácie zodpovedá za prípadnú stratu helmy počas dodávky poskytovateľ záruky sa zaväzuje dodať opravenú helmu predkladateľovi reklamácie a zodpovedá za jej prípadnú stratu počas dopravy.
  6. V priebehu záručnejehoty bude poškodený predmet zadarmo opravený alebo vymenený poskytovateľom záruky za rovnaký a bezvadný. Pokiaľ by oprava alebo výmena predmetu za nový nebola možná, má predkladateľ reklamácie nárok na vrátenie zaplatenej čiastky, alebo na voľbu iného vybavenia s podobnou hodnotou a špecifikáciou. Prípadný finančný rozdiel bude vyrovnaný poskytovateľom záruky, alebo predkladateľom reklamácie, v závislosti na cene zvoleného reklamovaného predmetu.
  7. Tato záruka zahŕňa poruchy zariadenia vzniknuté počas riadneho prevádzkovania alebo spôsobené výrobnými chybami a nevzťahuje sa na prevádzkové materiály alebo iné dodatočné vybavenie.
  8. Záruka sa nevzťahuje na vady vzniknuté v dôsledku:
    - Svojpomocných, vykonávaných užívateľom alebo inou neoprávnenou osobou oprav, prerobenia a konštrukčných zmien.
    - Mechanických, tepelných, chemických poškodení alebo účelového poškodenia vybavenia.
    - Uchovávanie a údržbu helmy a iných poškodení vzniknutých zavinením užívateľa.
    - Zníženie kvality výrobku spôsobené bežným opotrebením, napr. oderom vonkajšieho povrchu výrobku, poškrabávaním, prasknutím skiel, apod.
    - Poškodení vzniknuté v dôsledku nedodržania pravidiel správneho používania a takisto používania predmetu v nesúlade s jeho určením.
- Poskytovateľ záruky môže tiež odmietnuť prijatie reklamácií prípadne formálnej vady, spojenej s predajnými dokladmi, akoko nevyplnený záruční list, chýbajúci doklad o nákupe, apod.

.....  
**Dátum nákupu a pečiatka predaja**

### ADRESA SERVISU:

#### **Profix Sp. z o.o.**

ul. Dobra 3

Łomna-Las

05-152 Czosnów

**e-mail:** serwis@profix.com.pl

**tel.** 022 785 96 75



**ZA VARNO UPORABO NATANČNO PREBERITE NAVODILA ZA UPORABO PROIZVODA.**

**Shranite navodila za morebitno kasnejšo uporabo.**

**1. NAMEN IN LASTNOSTI IZDELKA:**

Varilna maska z avtomatskim samozatemnitvenim filtrom **LAHTI PRO L1540500** je namenjena zaščiti obraza in oči pred iskrami, okruški in škodljivim sevanjem med varjenjem. Ustreza zahtevam standardov EN 379:2003+A1:2009, EN 175:1997 in Uredbe 2016/425. Naslov spletne strani, na kateri lahko dostopate do izjave o skladnosti EU: [www.lahtipro.pl](http://www.lahtipro.pl)

Preizkus skladnosti maske je opravil: **DIN CERTCO Gesellschaft für Konformitätsbewertung mbH**, Alboinstraße 56, 12103 Berlin, Nemčija. Št. priglašene organa: 0196.

Masko lahko uporabljate tudi kot osebno zaščitno opremo med majhnimi in kratkotrajnimi brusilnimi deli (brusenje kovinskih površin z brusilnimi koluti). Maska ni primerna za osebno zaščito med rezanjem kovine z brusilnimi ploščami.

Maska je opremljena z velikim vizirjem z merami 100 x 50 mm. Avtomatski zatemnitveni filter se po zaznavi loka samodejno spremeni z osvetljenega na zatemnjenega, po koncu varjenja pa se ponovno osvetli.

Maska zagotavlja popolno zaščito proti ultravijoličnem in infrardečemu (UV/IR) sevanju, celo medtem ko filter ni zatemnjen. Dva fotosenzorja zagotavljata pravilno delovanje maske v vseh pogojih in položajih.

Maska je pripravljena za takojšnjo uporabo, edino kar morate narediti je, da prilagodite masko obsegu glave ter izberete in nastavite ustrezne uporabniške parametre.



**POZOR! Varilna maska izpolnjuje standarde s področja varnega varjenja. Masko lahko uporabljajo samo ustrezno usposobljene osebe.**

**Za varno uporabo tega proizvoda se zahteva ustrezno usposabljanje s področja varjenja. Ne uporabljajte maske brez zaščitnega stekla ali filtra.**

**Ne uporabljajte maske v primeru poškodbe katerega koli sestavnega dela. Uporabljajte v okolju s temperaturami od -5 °C do +55 °C.**



**OPOZORILO!**

**Varilna maska ni primerna za rezanje z laserskimi gorilniki in acetilenski rezalniki. Maska ne predstavlja zaščite pred jedkimi in eksplozivnimi sredstvi.**

**Maska ne predstavlja zaščite pred močnimi udarci, npr. brusilnih kolutov.**

**Maske nikoli ne odlagajte na razgrete površine.**

**2. ZGRADBA MASKE:**

Samozatemnitvena varilna maska je sestavljena iz treh osnovnih modulov:

- telesa maske, ki je izdelan iz toplotno stabilnega polimera, odpornega proti obrabi, v katerega se ne zlivajo varilni okruški,
- prilagoditvenega mehanizma z naglavnim lokom,

- samozatemnitvenega filtra.

■ **Deli maske** (glej sliko **A**, str. 2):

1. Telo maske
2. Nastavljiv naglavni lok
3. Mehanizem za prilagoditev naglavnega loka obsegu glave
4. Mehanizem za prilagoditev naklona naslona maske ter razdalje med očmi varilca in steklom zaščitnega filtra
5. Vrtljiv gumb za nastavitev načina delovanja in stopnje zatemnitve
6. Zunanje zaščitno steklo
7. Kasetna filtra
8. Notranje zaščitno steklo

■ **Deli samozatemnitvenega filtra** (glej sliko **B**, str. 2):

1. Tipka TEST
2. Nastavitev časa osvetlitve po varjenju
3. Nastavitev občutljivosti
4. Notranje zaščitno steklo
5. Predalček za baterijo
6. Kazalnik za prazne baterije
7. Sončne celice
8. UV/IR filter
9. Fotosenzor

**3. TEHNIČNI PODATKI:**

MODEL	L1540500
<b>Napajanje:</b> sončne celice + 2 x litijeva CR2032 baterija (zamenljivi)	
Vklop/izklop napajanja	samodejno
Mere vidnega polja	100x50 mm
Mere filtra	110x90x10 mm
Stopnja zatemnitve v osvetljenem stanju	4 po DIN
Stopnja zaščite pred sevanjem UV/IR	Stalna - 16 po DIN
Razpon stopenj zatemnitve	9-13 wg DIN
Zakasnitev preklopa – osvetljen/zatemnjen	1/25000 s
Zakasnitev preklopa – zatemnjen/osvetljen	0.1~1.0 s
Občutljivost/zakasnitev	brezstopenjska nastavitve
Delovna temperatura	od -5°C do +55°C
Temperatura shranjevanja	od -20°C do +70°C
Število fotosenzorjev loka	2
Funkcija »brusenje«	da
Material maske	poliamid, polipropilen, politilen
Samodejni nadzor filtra	da
Skupna teža	480g
Mere škatlice	330x230x230 mm



#### 4. PRIPOROČENE STOPNJE ZATEMITNITVE:

V spodnji tabeli so navedene priporočene stopnje zatemitnitve za določeno varilno metodo in vrednosti varilnega toka. Na izbiro zatemitnitve filtra lahko vplivajo tudi:

- vrsta osnovne kovine,
- raven osvetlitve (vrednosti, navedene v tabeli, so primerne za povprečne delovne pogoje, pri katerih je razdalja oči uporabnika od zvarnega bazena približno 50 cm in povprečna osvetljenost približno 100 lx),
- položaj uporabnika glede na sevanje ali električni lok. Glede na to, ali se

varilec sklanja nad varjenim predmetom ali delo opravlja s stegnjenimi rokami, je morda treba zatemitnitev spremeniti za najmanj eno stopnjo; -človeški dejavnik (vrednosti, navedene v tabeli, so ustrezne za uporabnike z normalnim vidom. Osebe z okvaro vida morajo izbrati stopnjo zatemitnitve v skladu z lastnimi potrebami tako, da izmenično uporabljajo večje ali manjše stopnje zatemitnitve); -za dela na prostem ob močni sončni svetlobi se priporoča povečanje zatemitnitve za najmanj eno stopnjo; Odvisno od pogojev, v katerih poteka varjenje, bo morebiti treba povečati/zmanjšati stopnjo zatemitnitve.

POSTOPEK VARJENJA	JAKOST TOKA (A)																															
	1,5	6	10	15	30	40	60	70	100	125	150	175	200	225	250	300	350	400	450	500	600											
SMAW	8				9				10				11				12				13				14							
MAG	8								9				10				11				12				13				14			
TIG	8				9				10				11				12				13				14							
MIG težkih kovin	9								10				11				12				13				14							
MIG lahkih zlitin	10								11				12				13				14											
SAW	10								11				12				13				14				15							
PAC	9								10				11				12				13				14							
PAW	4		5		6		7		8		9		10		11		12															

#### ■ Pomen kratic:

**SMAW** – ročno obločno varjenje,

**MAG** – talilno obločno varjenje v aktivnem zaščitnem plinu ali v plinski mešanici,

**TIG** – obločno varjenje z volframom v zaščitni inertnega plina,

**MIG** – talilno obločno varjenje z inertnim plinom,

**SAW** – potopno obločno varjenje,

**PAC** – rezanje s plazemskim curkom,

**PAW** – mikroplazemsko varjenje.

#### 5. NAČELA ZA VARNO UPORABO:



**POZOR!** Pred uporabo varilne maske se seznanite z vsebino teh navodil za uporabo. Upoštevati je treba predpise o varnosti in zdravju na delovnem mestu. V primeru nepravilnosti v delovanju maske, dvomov v njeno pravilno uporabo, to sporočite svojemu nadrejenemu ali se obrnite na lokalni pooblaščen servisni center.

- Prepovedana je uporaba maske, ki ni v skladu z njenim namenom uporabe.
- Pred vsakim začetkom dela je treba oceniti tehnično ustreznost varilne maske. Maska ni primerna za uporabo v primeru poškodb, prosojnosti, obarvanosti, prask in razpok na zaščitnem steklu ali maski. V tem primeru je treba masko ali steklo zamenjati z novim. **POZOR!** *Dele očal lahko zamenjate samo z originalnimi in ustrezno izbranimi nadomestnimi deli.*
- Ustrezno stopnjo zatemitnitve filtra je treba izbrati glede na varilni postopek, kiga opravlja uporabnik maske.
- V primeru nepravilnosti v delovanju maske, zlasti zaradi okvare samozatemitnitvenega filtra (na primer: odsotnost zatemitnitve filtra, prepozna zatemitnitev, prehitra osvetlitev), poškodbe telesa čelade itd., takoj prenehajte z delom in o težavi obvestite svojega nadrejenega ali vašega skrbnika pri lokalnem pooblaščenem servisu.
- Maska ne ščiti pred udarci predmetov, ki letijo z veliko hitrostjo.
- Maska ne predstavlja zaščite pred jedkimi in eksplozivnimi sredstvi.

- Maske in samozatemitnitvenega filtra ne odlagajte na vroče površine.
- Med uporabo maske mora biti vedno nameščeno zunanje zaščitno steklo. Uporaba brez zunanjega zaščitnega stekla lahko povzroči poškodbe maske in izgubo garancije.
- Redno menjavajte zunanje zaščitno steklo. Uporabljajte le originalna stekla.
- Izogibajte se položajem, kjer lahko varilne iskre in sevanje pridejo v stik z nezavarovanimi deli telesa (varjenje nad glavo). Če to ni mogoče, je treba uporabiti dodatno zaščito.
- Filtra ne izpostavljajte tekočinam in umazaniji. Preprečite stik filtra z vodo ali prekomerno vlago.
- Pred vsako uporabo z maske odstranite morebitno umazanijo in preverite, da fotosenzorji in sončne celice na sprednji strani maske niso prekriti.
- Maske in njenih delov ne izpostavljajte topilom. Za čiščenje uporabljajte samo mehko vlažno krpo.



**POZOR!** Kakršno koli spreminjanje varilne maske, uporaba maske, ki ni v skladu z njenim namenom, in neupoštevanje navodil za uporabo izpostavlja uporabnika telesnim poškodbam ter povzroči izgubo pravic iz naslova garancije.

#### 6. PRIPRAVA ZA UPORABO:

Maska je dostavljena v sestavljeni obliki in pripravljena za takojšnjo uporabo. Vseeno je treba pred začetkom uporabe narediti naslednje:

1. Pred prvo uporabo varilne maske odstranite zaščitno folijo s samozatemitnitvenega filtra, saj je v nasprotju primeru lahko stopnja zatemitnitve neustrezna oz. se filter ne aktivira.
2. Prepričajte se, da je maska primerna za načrtovano delo in da se vsi deli maske nahajajo na svojem mestu, so pravilno nameščeni in delujejo ustrezno.
3. Naglavni trak je treba s prilagoditvenim mehanizmom nastaviti tako, da se bo optimalno prilagal glavi uporabnika.
4. Ustrezno nastavite občutljivost, čas zakasnitve in stopnjo zatemitnitve varilnega filtra.

## 7. PRILAGODITEV MASKE (glej sliko C, str. 2):

Pred uporabo prilagodite masko tako, da bo med delom zagotovljena najvišja raven zaščite in udobja.

Ustrezna nastavitve maske omogoča najvišjo raven zaščite oči pred ultravijoličnimi (UV) in infrardečimi (IR) žarki.

### ■ Nastavitev naglavnega traku

Celotni obseg naglavnega traku lahko povečate ali zmanjšate z gumbom, ki se nahaja na hrbtni strani naglavnega traku:

- Za zmanjšanje obsega pritisnite gumb **A** in ga vrtite v desno.
- Za povečanje obsega pritisnite gumb **A** in ga vrtite v levo. Obseg naglavnega traku je pravilno prilagojen, ko varilna maska ne pada z glave uporabnika in naglavni trak ne povzroča prekomernega stiskanja.

Zaradi previsoke namestitve maske na glavi uporabnika lahko maska pade, prenizka namestitve maske pa lahko povzroča nelagodje pri nošenju. Masko se na glavi uporabnika lahko optimalno namesti s prilagoditvijo naglavnega traku **B**, ki se nahaja v zgornjem delu naglavnega loka.

Nastavitve naglavnega traku preverite tako, da večkrat dvignete in spustite masko, ko je le-ta nameščena na glavi. Če je naglavni trak pravilno prilagojen, mora maska stabilno stati na glavi uporabnika. Če maska ni ustrezno nameščena, poskusite ponovno prilagoditi naglavni trak.

### ■ Nastavitve razdalje med masko in uporabnikovim obrazom:

Popustite pritrtilne matice **C** in prestavite vijake skozi kvadratne odprtine **D** v pritrdišču naglavnega loka tako, da pomaknete masko bližje ali dlje od obraza. Po nastavitvi privijte matice **C**.

**POZOR!** Prilagoditev opravite na obeh straneh maske. Za najboljšo ostrino se priporoča kar najmanjša razdalja med filtrom in očmi.

### ■ Nastavitve kota za spuščanje maske

Če naklon maske ni ustrezen za uporabnika, lahko le-ta naklon prilagodi:

- Sprostite pritrtilne vijake **C**.
- Spremenite naklon maske.
- Privijte pritrtilne vijake **C**.

**POZOR!** Pravi naklon maske preprečuje letenje okruškov in sevanje v smeri podbradka uporabnika.

## 8. UPORABA:

### ■ Napajanje maske

Masko napajata dve litijevi bateriji CR2032 3V, ki se polnita s sončnimi celicami. V normalnih pogojih varjenja življenjska doba baterij znaša 5.000 delovnih ur.

Vklon in izklop filtra samodejno nadzorujejo fotosenzorji.

Na notranji krmilni plošči se nahaja tipka »TEST«, s katero lahko preverite pravilnost delovanja avtomatike maske (stikalo za način delovanja mora biti v položaju za varjenje) in diodni kazalnik, ki opozarja na nizko stanje napoljenosti baterije. Nizkonapetostna dioda ne deluje, ko napajanje ni potrebno. Prižig diode pomeni, da je baterije treba zamenjati.

### ■ Izbira stopnje zatemnitve maske:

S pomočjo tabele na str. 4 izberite stopnjo zatemnitve, ki ustreza izbranemu načinu varjenja, in obrnite vrtljiv gumb za nastavitve načina delovanja in stopnje zatemnitve **5** (glej sliko C) v ustrezen položaj **9–13**.

Med brušenjem obrnite vrtljiv gumb **5** v položaj **BRUŠENJE/GRIND**, pri čemer boste izklopili zatemnitev.

### ■ Nastavitve občutljivosti in časa razzasnitve po varjenju:

V trenutku začetka varjenja se bo filter samodejno spremenil iz jasnega v temnega v roku 1/25000 s.

Občutljivost filtra na električni lok lahko prilagodite z vrtljivim gumbom **OBČUTLJIVOST/SENSITIVITY**, ki se nahaja na kaseti filtra. Za nizki tok ali metode TIG se priporočajo višje nastavitve (**H1**), za visoki tok ali metode MIG/MAG pa nižje vrednosti (**L0**).



Uporabnik lahko nastavi čas zakasnitve preklopa filtra s temnega na svetlega ob uporabi vrtljivega gumba **ZAKASNITEV/DELAY**, nameščenega na kaseti filtra zraven vrtljivega gumba za prilagoditev občutljivosti – **OBČUTLJIVOST/SENSITIVITY**. Vrtljiv gumb omogoča brezstopenjsko nastavitve odzivnega časa filtra od 0,1 s do 1,0 s.

Čas zakasnitve kompenzira učinek žarenja, ki se pojavi na varjenem elementu. Nastavitve MIN (najmanjša vrednost zakasnitve), MAX (najdaljša zakasnitve).

## 9. REŠEVANJE TEŽAV:

### 1. Nepravilno zatemnjevanje

- a) Naglavni trak je nepravilno nastavljen, zato je neenakomerna razdalja od oči do stekla filtra (*spremenite nastavitve naglavnega traku, da boste zmanjšali razdaljo od filtra*).

### 2. Samozatemnitveni filter se ne zatemni ali se pojavlja utripanje.

- a) Sprednje steklo je umazano ali poškodovano (očistite ali zamenjajte steklo).
- b) Senzorji so umazani (očistite površino senzorjev).
- c) Varilni tok je prenizek (*premaknite stikalo za občutljivost v položaj »HI«*).
- d) Baterije so prazne (*zamenjajte baterije*).

### 3. Počasen odziv

- a) Delovna temperatura je prenizka (*ne uporabljajte maske pri temperaturi pod -5°C*).

### 4. Slaba vidnost

- a) Sprednje/notranje steklo in/ali filter sta umazana (*očistite ali zamenjajte*).
- b) Okolje ni dovolj svetlo (*ustrezno svetlite*).

- c) Nepravilno nastavljen stopnja zatemnitve filtra (*preverite priporočene stopnje zatemnitve, ki so navedene v navodilih, in ustrezno nastavite*).

## 5. Maska drsi z glave

- a) Naglavni trak ni pravilno prilagojen (*prilagodite naglavni trak*).

## 10. VZDRŽEVANJE IN SKLADIŠČENJE:

Redno in skrbno vzdržujte masko. Redno vzdrževanje omogoča ohranitev maske v dobrem tehničnem stanju.

Proizvod hranite v dostavljeni posamični embalaži, v temnem, suhem, dobro zračnem in zaprtim prostoru. Med shranjevanjem pazite, da bo temperatura med -20 do +70 stopinj Celzija. Ščititi pred prahom, cvetnim prahom in drugo umazanijo (plastične vrečke, torbice ipd.). Ščititi pred mehanskimi poškodbami. Prevoz – v dostavljeni posamični embalaži, kartonih, zaprtih prostorih vozila.

### ■ Čiščenje

Filter lahko očistite s čisto in gladko krpo ali bombažnim materialom. Maske in filtra ne potaplajte v vodo in za njuno čiščenje nikoli ne uporabljajte brusilnih sredstev, topil in detergentov na oljni osnovi. Ne odpirajte kasete filtra samostojno. Kaseto filtra lahko odpre pooblaščen servis ali ustrezno usposobljena oseba. V nasprotnem primeru lahko pride do izgube pravic iz naslova garancije.

### ■ Menjava zaščitnega stekla:

Za zagotovitev večletnega brezhibnega delovanja filtra je prepovedana uporaba maske brez polikarbonatnih zaščitnih stekel. Redno menjajte sprednje zaščitno steklo, ki je izpostavljeno naravni prosojnosti zaradi udarcev okruškov med varjenjem.

Z namenom menjave zaščitnega stekla je treba najprej odstraniti kaseto samozatemnitvenega filtra in nato odstraniti steklo v notranji smeri maske.

**POZOR!** Menjavo in namestitev filtrirnega sistema mora opraviti strokovno podkovan in ustrezno usposobljena oseba.

### ■ Menjava baterij za napajanje filtra

Če zasveti opozorilna lučka »LOW BAT«, je treba zamenjati baterijo z novo.

Bateriji sta umeščeni v dveh ločenih predalčkih na kaseti filtra. Za menjavo baterij obrnite in odstranite pokrov predalčka. Uporabljeno baterijo vzemite iz predalčka in vstavite novo.

Zaprte pokrovec in ponovite zgornje korake za zamenjavo druge baterije.

**POZOR!** Baterije zamenjajte le v parih. Ne mešajte uporabljenih in novih baterij.

### ZAŠČITA OKOLJA:



**POZOR!** Ta simbol pomeni, da je prepovedano odlaganje odsluženega aparata skupaj z drugimi odpadki (kaznuje se z denarno kaznijo). Nevarne sestavine, ki se nahajajo v električnih in elektronskih napravah, negativno vplivajo na okolje in zdravje ljudi.

Gospodinjstva naj bi prispevala k ponovni uporabi in predelavi (reciklaži) odslužene opreme. Na Poljskem in v Evropi se ustvarja, oziroma že obstaja, sistem zbiranja odsluženih naprav, v okviru katerega so vse prodajne točke zavezane za sprejemanje odsluženih izdelkov. Poleg tega obstajajo točke zbiranja omenjene opreme.

## 11. POMEN OZNAK FILTRA:

**MODEL: ADF GX-800S** – model samozatemnitvenega filtra,

**CAN/CSA Z94.3** – kanadski varnostni standard,

**ANSI Z87.1** – ameriški varnostni standard,

**4/9-13 GX 1/1/1/2/379 CE** – oznaka varilnega filtra z ročnim nastavljanjem stopnje zaščite, kjer:

**4** – št. jasnosti, **9** – št. najsvetlejšega stanja zatemnitve; **13** – št. najtemnejšega stanja zatemnitve; **GX** – koda proizvajalca; **1** – optični razred, **1** – razred razpršitve svetlobe, **1** – razred odstopanja količnika prepustnosti svetlobe, **2** – razred odvisnosti količnika prepustnosti svetlobe od kota, **379** – št. evropskega standarda za avtomatske varilne filtre EN 379, **CE** – oznaka skladnosti z direktivami novega pristopa ES.

### UVOZNIK/POOBLAŠČENI ZASTOPNIK:

Prefix Sp. z o.o.

ul. Marywilska 34,

03-228 Varšava, Poljska



Politiko podjetja PROFIX odlikuje stalno prizadevanje za izboljšanje izdelkov, zato si podjetje pridržuje pravico do spremembe specifikacije izdelka brez predhodne najave. Slike, predstavljene v navodilih za uporabo, so informativne narave in se lahko nekoliko razlikujejo od dejanskega stanja.

Ta navodila so zaščitena z avtorsko pravico. Kopiranje/razmnoževanje brez pisnega soglasja podjetja Prefix Sp. z o.o. je prepovedano.

### 13. GARANCJA:

Za uveljavljanje pravice do garancijskih storitev oddajte pomanjljivo napravo pri prodajalcu, pooblaščenem distributerju ali prodajalcu izdelkov podjetja PROFIX, pri katerem ste kupili svoj izdelek. Pred vračilom izdelka pridobite podatke o načelih vračila, Ponavadi je treba navesti podatke za identifikacijo izdelka, vključno s številko modela in serijsko številko ter podroben opis prijavitelne napake. Priložite tudi dokazilo o nakupu, s katerem potrdite, da garancijska doba še ni iztekla.

1. Garancija za izdelek velja dve leti od nakupa.
2. Napaka, ki se pojavi v času veljavnosti garancije, bodo brezplačno odstranjene v roku 14 delovnih dni od dneva dostave proizvoda na naslov prodajalca. Garancija se bo s časom trajanja popravila tudi ustrezno podaljšala.
3. Garancijski list velja, če je opremljen z datumom nakupa, žigom prodajalca ali priloženim dokazilom o nakupu.
4. Za izvedbo popravila v okviru garancije je treba proizvod dostaviti prodajalcu na lastne stroške. Po popravilu bo proizvod poslan stranki na stroške prodajalca.
5. Stranka mora masko dostaviti prodajalcu ustrezno zavarovano pred poškodbami, ki lahko nastanejo med prevozom.
6. Stranka je odgovorna za morebitno zmečkanje maske med dostavo do prodajalca, medtem ko je prodajalec zavezan dostaviti popravljeno masko kupcu in odgovarja za njeno morebitno zmečkanje med prevozom.
7. V garancijskem obdobju bo prodajalec poškodovano opremo brezplačno popravil ali zamenjal z enakim, brezhibnim proizvodom. V primeru ko popravilo ali menjava proizvoda za novega nista mogoči, ima kupec pravico do vračila kupnine ali izbire drugega proizvoda podobne kakovosti in s podobnimi lastnostmi. Morebitno denarno razliko bo poravnal prodajalec oz. kupec, odvisno od cene proizvoda, ki ga je izbral kupec.
8. Garancija velja za napake opreme, ki so nastale ob pravilni uporabi ali so posledica tovarniške napake. Garancija ne velja za potrošni material ali dodatno opremo.
9. Garancija ne velja za napake, ki so posledica:
  - Popravil, predelav ali sprememb v zgradbi proizvoda, ki jih je samovoljno opravil uporabnik ali druga nepooblaščen oseba.
  - Mehanskih, toplotnih, kemičnih poškodb ali namenskega poškodovanja opreme.
  - Shranjevanja in vzdrževanja maske ter drugih poškodb, ki jih je povzročil uporabnik.
  - Znižanja kakovosti proizvoda zaradi naravne obrabe, npr. abrazija zunanje površine proizvoda, praske, razpoke na objektnih stekelcih ipd.
  - Poškodb zaradi neupoštevanja načel za pravilno uporabo in uporabe opreme, ki ni v skladu z njenim namenom. Prodajalec ima pravico zavrniti reklamacijski zahtevek v primeru formalne napake, ki je povezana s prodajno dokumentacijo, če ni izpolnjen garancijski list, manjka dokazilo o nakupu ipd.

.....  
**Datum nakupa in žig prodajalca**

### NASLOVSERVISA:

**Profix Sp. z o.o.**

ul. Dobra 3,

Łomna-Las

05-152 Czosnów

**e-mail:** serwis@profix.com.pl

**tel.** +48 22 785 96 75



**ZA SIGURNU UPOTREBU, UPUTE ZA PROIZVODNJU, TREBAJE PROČITATI.**

**Držite priručnik za buduću upotrebu.**

### 1. NAMJENA UPORABE I KARAKTERISTIKE PROIZVODA:

Kaciga za zavarivanje s automatskim filtrom za samotamnjenje **LAHTI PRO L1540500** dizajnirana je za zaštitu lica i očiju od iskre, prskanja i štetnog zračenja tijekom zavarivanja. Udoboljava zahtjevima norme EN 379: 2003 + A1: 2009, EN 175: 1997 i Uredbe 2016/425. Adresa web stranice na kojoj možete pristupiti EU izjavi o sukladnosti: [www.lahtipro.pl](http://www.lahtipro.pl)

Provedeno je testiranje kaciga: **DIN CERTCO Gesellschaft für Konformitätsbewertung mbH**, Alboinstraße 56, 12103 Berlin, Njemačka, Broj jedinice, Obavijest: 0196.

Kaciga se također može koristiti kao osobna zaštitna oprema tijekom manjih i kratkotrajnih radova brušenja (brušenje metalnih površina pomoću zaklopnih diskova). Nije pogodna za osobnu zaštitu tijekom rezanja metala brusnim kotačima.

Kaciga je opremljena velikim vizikom dimenzija 100x50 mm. Automatski filter za zamračivanje automatski se mijenja iz svijetlog u tamni nakon paljenja luka i nakon zavarivanja ponovno postaje svijetli.

Kaciga pruža potpunu zaštitu od UV / IR (ultraljubičastog / infracrvenog) zračenja, čak i kada je filter osvijetljen. Dva foto-senzora jamče ispravan rad maske u svim uvjetima i položajima.

Kaciga je spremna za neposrednu upotrebu, treba je samo prilagoditi veličini glave zavarivača te odabiru i podešavanju ispravnih parametara performansi.



**NAPOMENA! Kaciga za zavarivanje zadovoljava sigurnosne standarde zavarivanja. Koriste ga samo obučeni zavarivači.**

**Sigurna uporaba ovog proizvoda zahtijeva pravilnu obuku za zavarivanje. Ne koristite masku izrađenu od zaštitnog stakla ili bez filtra.**

**Ne koristite masku ako je bilo koji njezin dio oštećen. Koristite na sobnoj temperaturi od -5°C do +55°C.**



#### UPOZORENJE!

**Kaciga za zavarivanje nije prikladna za rezanje laserskim i oksidno-acetilenskim bakljama. Kaciga ne štiti od eksplozivnih ili korozivnih tvari.**

**Kaciga ne pruža zaštitu od teških utjecaja, npr mljevanja.**

**Ne stavljajte kacigu na vrućim površinama.**

### 2. KONSTRUKCIJA ŠALCA:

Samotamnjenje kaciga za zavarivanje sastoji se od tri osnovna modula:

- tijelo kacige izrađeno od termički stabilnog polimera otpornog na habanje u koje se ne zalijeva prskanje za zavarivanje;
- zglobov glavlja;

- filter za tamnjenje.

#### ■ Dijelovi kaciga (vidi sl. A, stranica 2):

1. Tijelo kacige
2. Regulirani naslov
3. Mehanizam podudaranja headbands za glavu opsega
4. Mehanizam za podešavanje kuta nagiba vizira i udaljenost između očiju zavarivača i zaštitne leće filtra
5. Gumb za podešavanje načina rada i stupnja zatamnjenosti
6. Vanjsko zaštitno staklo
7. Filtarski uložak
8. Unutarnje zaštitno staklo

#### ■ Komponente automatskog zatamnjenja (vidi Sliku B, stranica 2):

1. Gumb TEST
2. Prilagodite vrijeme osvijetljavanja nakon zavarivanja
3. Podešavanje osjetljivosti
4. Unutarnje zaštitno staklo
5. Spremnik baterije
6. Indikator pražnjenja baterije
7. Solarne ćelije
8. UV / IR filter
9. Foto senzor

### 3. TEHNIČKI PODACI:

MODEL	L1540500
Napajanje:	solarne ćelije + 2x litijske CR2032 zamjenjive baterije
Uključivanje / isključivanje napajanja	automatski
Dimenzija vidnog polja	100x50 mm
Veličina filtra	110x90x10 mm
Stupanj rasvjetete	4 prema DIN-u
Stupanj zaštite od UV / IR zračenja	Čvrsta - 16 prema DIN-u
Raspon tame	9-13 prema DIN-u
Kašnjenje prebacivanja - svijetlo / tamno	1/25000 s
Kašnjenje prebacivanja - tamno / svijetlo	0.1~1.0 s
Osjetljivost / Kašnjenje	glatko podešavanje
Radna temperatura	od -5°C do +55°C
Temperatura skladištenja	od -20°C do +70°C
Broj lučnih fotosenzora	2
Funkcija „brušenje“	tako
Materijal za vizir	poliamid, polipropilen, polietilen
Filtrirajte samokontrolu	tako
Ukupna težina	480g
Dimenzije kutije	330x230x230 mm

#### 4. TAMNIJE PREPORUKE:

Tablica u nastavku prikazuje preporučene razine potamnjenja za određenu metodu zavarivanja i vrijednost struje zavarivanja. Na odabir zatamnjenja filtera također utječu:

- vrsta matičnog metala;
- razina osvijetljenja (vrijednosti navedene u tablici prikladne su za prosječne radne uvjete u kojima je udaljenost radnika od oka od zavarivanja oko 50 cm, a prosječna osvijetljenost je približno 100 lx);
- položaj operatera u odnosu na plamen ili električni luk. Ovisno o tome da li se zavarivač naginje nad radnim dijelom ili radite ispruženih ruku,

možda će biti potrebna promjena barem jednog stupnja tame;

- ljudski faktor (vrijednosti navedene u tablici pogodne su za operatore s normalnim vidom. Osobe s oštećenjem vida trebaju odabrati stupanj zatamnjenja prema individualnim potrebama, koristeći naizmjenično veće ili manje nesvjetlice);
- za radove koji se izvode na otvorenom na jakom sunčevom svjetlu preporučuje se povećanje stupnja zamačenja za najmanje jedno;
- Ovisno o uvjetima u kojima se odvija postupak zavarivanja, možda će biti potrebno povećati / smanjiti stupanj tame.

PROCES ZAVARIVANJA	TRENUTNO (A)																					
	1,5	6	10	15	30	40	60	70	100	125	150	175	200	225	250	300	350	400	450	500	600	
SMAW	8						9		10		11		12		13		14					
MAG	8						9		10		11		12		13		14					
TIG	8						9		10		11		12		13		14					
MIG teški metali							9		10		11		12		13		14					
MIG svjetlosne legure									10		11		12		13		14					
SAW									10		11		12		13		14		15			
PAC							9		10		11		12		13							
PAW	4	5	6	7	8	9	10	11	12													

#### ■ Objašnjenje kratica:

**REL** - zavarivanje elektrode obložene

**MAG** - zavarivanje topljivom elektrodom u kemijski aktivnom plinskom štitniku;

**TIG** - zavarivanje volframove elektrode u inertnom plinu;

**MIG** - zavarivanje sa topljivom elektrodom u inertnom plinskom štitniku;

**SAW** - zavarivanje podvodnim lukom;

**PAC** - rezanje mlazom u plazmi;

**PAW** - mikroplazmatsko zavarivanje lukom.

#### 5. PRAVILA SIGURNE UPOTREBE:



**NAPOMENA!** Prije upotrebe kacige za zavarivanje, obavezno je pročitati ovaj priručnik. Moraju se poštivati pravila zaštite zdravlja i sigurnosti na radnom mjestu. U slučaju bilo kakvih nepravilnosti u radu kacige, bilo kakvih nedoumica u vezi s njenom pravilnom uporabom, prijavite to svom nadzorniku ili kontaktirajte lokalni ovlašteni servisni centar. Zabranjeno je koristiti kacigu za njenu namjenu.

- Prije početka radova tehničke karakteristike kacige za zavarivanje moraju se procijeniti. Kaciga gubi svoju pogodnost za upotrebu ako u zaštitnom staklu ili viziru dođe do oštećenja, zamrljanja, promjene boje, ogrebotina ili pukotina. U tom slučaju vizir ili leće treba zamijeniti. **NAPOMENA!** Samo originalni i dobro usklađena dijelovi mogu se koristiti za zamjenu.
- Ovisno o procesu zavarivanja, koji korisnik započne, odaberite odgovarajući stupanj zatamnjenja filtera.
- U slučaju bilo kakvih nepravilnosti u radu kacige, posebno neispravnog filtera automatskog zatamnjenja (na primjer: nema zatamnjenja filtera, prekasnog zatamnjenja, preranog osvijetljenja), oštećenja na tijelu kacige itd., Odmah prestanite s radom i prijavite problem svom nadzorniku ili kontaktirajte lokalni ovlašteni servis.
- Kaciga ne štiti od udara brzih predmeta.
- Kaciga ne štiti od korozivnih ili eksplozivnih tvari.

- Ne stavljajte kacigu i filter za automatsko zatamnjenje na vruću površinu.
- Kad vizir djeluje, uvijek mora biti postavljena vanjska zaštitna leća. Rad bez ugrađene vanjske zaštitne leće može dovesti do kvara kacige i gubitka jamstva.
- Redovito mijenjajte vanjsko zaštitno staklo. Koristite originalno staklo.
- Izbjegavajte položaje koji omogućuju zavarivanje prskanjem i zračenjem da dođu do nezaštićenih dijelova tijela (zavarivanje iznad glave). Ako to nije moguće, treba primijeniti dodatnu zaštitu.
- Zaštitite filter od tekućine ili prljavštine. Izbjegavajte kontakt s vodom ili pretjeranom vlagom.
- Prije svake uporabe očistite kacigu od prljavštine i provjerite da fotosenzori i solarne ćelije smještene na prednjoj strani kacige nisu prekrivene.
- Zaštitite kacigu i njezine dijelove od otapala. Za čišćenje koristite meku vlažnu krpu.



**NAPOMENA!** Ne vrši nikakve izmjene na kacigi za zavarivanje, koristeći je suprotno namjeravanoj upotrebi, ne slijedeći upute date u ovom priručniku, izlaže korisnika ozljeđivanju i rezultira gubitkom jamstva.

#### 6. PRIPREMA ZA UPORABU:

Kaciga se isporučuje sastavljena i spremna za upotrebu. No prije upotrebe morate učiniti sljedeće:

1. Kada prvi put koristite kacigu za zavarivanje, rukovatelj bi trebao ukloniti zaštitni film sa filtera za potamnjenje, jer u protivnom tama može biti pogrešna ili filter možda neće raditi.
2. Provjerite je li kaciga prikladna za namjeravanu uporabu i jesu li svi dijelovi kaciga na svom mjestu, pravilno sastavljeni i rade pravilno.
3. Podesite traku za glavu sa sklopom šarki tako da se optimalno uklapa u glavu korisnika.
4. Napravite odgovarajuće postavke za osjetljivost, vrijeme kašnjenja i razinu tame zavarivačkog filtera.

## 7. PRIKLJUČIVANJE ČELIKA (vidi sl. C, str. 2):

Kacigu treba prilagoditi prije upotrebe kako bi se osigurala maksimalna zaštita i udobnost.

Zahvaljujući ispravnom položaju kacige, postiže se maksimalna zaštita očiju od ultraljubičastog m (UV) i infracrvenog (IR) zračenja.

### ■ Podešavanje pojasa

Ukupni opseg trake za glavu operatera može se povećati ili smanjiti gumbom na stražnjoj strani trake za glavu:

- Da biste smanjili opseg, pritisnite gumb **A** i okrenite ga u smjeru kazaljke na satu.

- Da biste povećali opseg, pritisnite gumb **A** i okrenite ga u smjeru suprotnom od kazaljke na satu. Ispravna postavka opsega pojasa je kada kaciga za zavarivanje ne padne s glave operatera i ako remen ne izazove pretjerani pritisak.

Previsoko postavljanje vizira na glavu operatera može uzrokovati pad maske, preniko postavljanje vizira može uzrokovati nelagodu pri korištenju. Optimalni položaj vizira na glavi rukovoaca može se postaviti pomoću trake **B** smještene u gornjem dijelu trake za glavu.

Trebali bi provjeriti stane od traka za glavu puta podizanje i spuštanje vizir kada je na glavu. Ako se pojas pravilno podešava, vizir treba čvrsto držati glavu operatera. Ako se utvrdi nepravilnost i ponovno podesite pojas.

### ■ Kontrolirati udaljenost između kacige i licem:

Da biste to učinili, otpustite pričrpsne matice **C** i vijke provucite kroz četvrtaste rupe **D** u zaglavlju za glavu, pomaknuvši kacigu bliže ili dalje od lica. Nakon namještaljke stegnute maticu **C**.

**NAPOMENA!** Podešavanje treba obaviti s obje strane kacige. Da bi se dobili najbolji fokus se preporučuje kao najmanje j šutnja udaljenosti između filtera i očima.

### ■ Podešavanje kuta spuštanja kacige

Ako kut nagiba maske nije prikladan za operatera, može se podesiti:

-Otpustiti montiranje matice **C**.

-Promijenite postavku kuta vizira.

-zategnuti montiranje matice **C**.

**NAPOMENA!** Ispravan kut nagiba kacige štiti od prodiranja strugotine izračenja prema bradi operatera.

## 8. UPORABA:

### ■ Opskrba kaciga

Kacigu napajaju dvije CR2032 3V litijeve baterije napunjene solarnim ćelijama. U normalnim uvjetima zavarivanja to osigurava život baterije od 5000 sati.

Uključivanje i isključivanje filtra automatski se kontroliraju fotosenzori.

Na unutarnjoj upravljačkoj ploči nalazi se tipka "TEST" koja omogućuje provjeru ispravnog rada automatizacije kaciga ( prekidač načina rada treba postaviti za zavarivanje) i diodni indikator stanja pražnjenja baterije. Dioda niskog napona ne radi kada je napajanje filtra dovoljno. Osvjetljenje diode pokazuje potrebna zamjena baterije.

### ■ Odabir razine zatamnjavanja vizira:

Prema tabeli na str. 4 izabrati odgovarajuću razinu zatamnjivosti za određeni postupak zavarivanja i podesiti gumb za podešavanje načina rada i stupnja zatamnjivosti **5** (vidi crtež C) na odgovarajuću poziciju **9-13**.

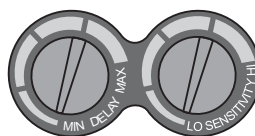
Tijekom brušenja gumb **5** podesiti na poziciju **BRUŠENJE/GRIND**, čime se isključuje zatamnjivost.



### ■ Postavljanje osjetljivosti i vremena osvjetljavanja nakon zavarivanja:

Na početku zavarivanja, filter se automatski mijenja iz svijetlog u tamni unutar 1 / 25000s.

Jednostavno podešavanje osjetljivosti filtera na električni luk vrši se gumbom **OSJETLJIVOST/SENSITIVITY** smještenom na kazeti filtera. Preporučuju se veće postavke (**HI**) za male struje ili TIG metoda, niže vrijednosti (**LO**) za visoke struje ili MIG / MAG metoda.



Operater ima mogućnost podešavanja vremena odgode prelaska filtera iz tamnoga u svijetli način rada pomoću gumba **ODGODA/DELAY** smještenog na kazeti filtera pored gumba osjetljivosti – **OSJETLJIVOST/SENSITIVITY**. Taj gumb omogućava jednostavno podešavanje vremena reakcije filtera od 0,1 s do 1,0 s. Vrijeme odgode kompenzira učinak sjaja na zavarenom dijelu. Postavljanje **MIN** (minimalno kašnjenje), **MAX** (maksimalna vrijednost vremena odgode).

## 9. RJEŠAVANJE RJEŠAVANJA:

### 1. Nepravilan zatamnjavanje

a) Traka za kosu je pogrešno postavljen, a tu je neujednačen udaljenost od oka do staklenog filtera (*promijeniti bend na volumen crijeva kako bi se smanjila razlika u udaljenostima iz filtera*).

### 2. Filtrar za tamnjenje samo zatamni i ne treperi.

a) Vjetrobransko staklo je zaprljano ili oštećeno (*očistite ili zamijenite*).

b) Senzori su prljavi (*očistite površinu senzora*).

c) Struja zavarivanja preniska (*postavite prekidač osjetljivosti u položaj "HI"*).

d) Isključene su baterije (*zamijenite baterije*).

### 3. Polaka reakcija

a) Radna temperatura je preniska (*kacigu ne koristite na temperaturama nižim od -5°C*).

### 4. Loša vidljivost

a) Vjetrobransko / unutarnje vjetrobransko staklo i / ili filter su prljavi (*očistite ili zamijenite*).

- b) Ambijentalna rasvjeta nije dovoljna (*osvijetlite pravilno*).
- c) Filtrirajte tamnu vrijednost pogrešno (*provjerite preporučene razine tame u ovom priručniku i postavite je na ispravnu*).

#### 5. Kaciga klizi s glave

- a) Traka za glavu nije pravilno postavljena (*prilagodite traku za glavu*).

#### 10. ODRŽAVANJE I SKLADIŠTENJE:

Redovito i pažljivo obavljajte održavanje kaciga. Tako ćete masku održati u dobrom stanju.

Proizvod treba čuvati u isporučenoj ambalaži u tamnoj, suhoj, prozračenoj i zatvorenoj prostoriji. Tijekom skladištenja ne prekoračite temperaturni raspon od -20 stupnjeva Celzija do +70 stupnjeva C. Zaštitite od prašine, prašine i drugih nečistoća (plastične vrećice, vrećice, itd.). Zaštitite od mehaničkih oštećenja. Prijevoz - u ispučenim jediničnim paketima, u kartonima, u zatvorenim prijevoznim sredstvima.

#### ■ Čišćenje

Filter se može očistiti čistom i glatkom krpom ili pamučnim materijalom.

Ne uranjajte kacigu i filter u vodu i nikada ne koristite abrazivna sredstva za čišćenje, otapala i deterdžente na bazi ulja.

Ne otvarajte kasetu za filtriranje sami. Kasetu s filtrom može demontirati ovlašteni servisni centar ili kvalificirana osoba. U suprotnom se jamstvo poništava.

#### ■ Zamjena zaštitnog stakla:

Kako bi se osiguralo višegodišnji nesmetan rad filtera, zabranjeno je koristiti kacigu bez polikarbonatnog zaštitnog stakla. Prednje zaštitno staklo treba redovito zamjenjivati, što će nakon zavarivanja tijekom udara postati prirodno zamračeno.

Da biste zamijenili zaštitno staklo, prvo uklonite kasetu s filtrom za automatsko zatamnjavanje, a zatim uklonite čašu prema unutrašnjosti kacige.

**NAPOMENA!** Zamjenu i postavljanje spremnika filtra izvodi kvalificirano i obučeno osoblje.

#### ■ Zamjena baterija za napajanje filtera

Ako se LED "LOW BAT" svijetli, zamijenite baterije novim.

Baterije su smještene u dva međusobno odvojena spremnika na kazeti filtera. Da bi se zamijenila baterija, potrebno je okrenuti i skinuti poklopac spremnika. Potrošenu bateriju izvaditi i zamijeniti novom.

Zatvoriti poklopac i ponoviti već opisani postupak s drugom baterijom.

**NAPOMENA!** Zamijenite baterije samo u paru. Ni e mix baterije nositi ju novom.

#### ZAŠTITA OKOLINE:



**NAPOMENA!** Prikazani simbol znači da je zabranjeno odlaganje rabljene opreme zajedno s drugim otpadom (uz rizik od novčane kazne). Štetne komponente koje se nalaze u električnoj i električkoj opremi štetno djeluju na prirodni okoliš i zdravlje ljudi.

Domaćinstvo bi trebalo pridonijeti oporavku i ponovnoj uporabi (recikliranju) korištene opreme. U Poljskoj i Europi kreira se ili već postoji sustav prikupljanja rabljene opreme, pod kojim su sva navedena prodajna mjesta oprema mora uzeti rabljenu opremu. Osim toga, postoje mjesta za prikupljanje gore navedenih oprema.

#### 11. OBRAZLOŽENJE FILTERSKIH MARKINGA:

**MODEL: ADF GX-800S** - model filtra sa samotamnjanjem;

**CAN / CSA Z94.3** - kanadski sigurnosni standard;

**ANSI Z87.1** - američki sigurnosni standard;

**4/9-13 GX 1/1/1/2/379 CE** - označavanje filtra za zavarivanje s ručnom postavkom zaštite, gdje:

**4** - svjetlosni broj; **9** - br. najsvjetlijeg tamnog stanja; **13** - br. najtamnijeg stanja; **GX** - simbol proizvođača; **1** - optička klasa; **1** - klasa difuzije svjetlosti; **1** - klasa odstupanja koeficijenta prolaska svjetlosti; **2** - klasa ovisnosti faktora prijenosa svjetlosti o kutu; **379** - Europska norma br. Za automatske filtere za zavarivanje EN 379, **CE** - sukladnost s novim direktivama o pristupu EC.

#### UVOZNIK/OVLAŠTENI ZASTUPNIK:

Prefix Sp. z o. o.

ul. Marywilska 34,

03-228 Varšava, Poljska



Politika tvrtke PROFIX je politika kontinuiranog poboljšanja svojih proizvoda i, prema tome, tvrtka zadržava pravo promjene specifikacije proizvoda bez prethodne obavijesti. Slike navedene u korisničkom priručniku su primjeri i mogu se malo razlikovati od stvarnog izgleda kupljenog uređaja.

Ovaj je priručnik zaštićen autorskim pravima. Kopiranje / reprodukcija bez pismenog pristanka Prefix Sp. z o. o. je zabranjeno.



### 13. GARANCIJA:

Da biste iskoristili garancijsku uslugu, neispravan proizvod možete vratiti na mjesto kupnje ili kod ovlaštenog distributera ili preprodavača PROFIX proizvoda od kojih je proizvod kupljen. Prije vraćanja proizvoda morate dobiti informacije o pravilima povrata. Obično trebate uključiti podatke o identifikaciji proizvoda, uključujući broj modela i serijski broj, te detaljan opis prijavljenog problema. Morate priložiti i dokaz o kupnji na prodajnom mjestu koji potvrđuje da garancijski rok nije završen.

1. Jamstvo proizvoda obuhvaća dvije godine od datuma kupnje.
2. Kvarovi koji su otkriveni tijekom jamstvenog razdoblja bit će besplatno uklonjeni u roku od 14 radnih dana od datuma isporuke proizvoda na adresu tvrtke koja se prodaje, a jamstveno razdoblje se produžava za trajanje popravka.
3. Jamstvena kartica vrijedi ako ima datum kupnje, pečat prodajnog mjesta ili prilog u obliku dokaza o kupnji.
4. Da biste izvršili garancijski popravak, proizvod se mora dostaviti na prodajno mjesto o svom trošku. Nakon popravka, proizvod će biti poslat oglašivaču na teret jamca.
5. Oglašivač treba osigurati vizir primjereno zaštićen od oštećenja tijekom transporta.
6. Oglašavanje -limiting odgovoran za bilo kakav gubitak kacigu u vrijeme isporuke, a jamac se obvezuje osigurati popravljao kacigu za oglašivača i odgovoran je za mogući gubitak u transportu.
7. Tijekom jamstvenog roka oštećeni ventil popraviti će se besplatno ili ga garant zamijeniti za isti, bez oštećenja. Ako nije moguće popraviti ili zamijeniti uređaj novim uređajem, oglašivač ima pravo na povrat uplaćenog iznosa ili na odabir druge opreme i vrijednosti i specifikacija. Svaku novčanu razliku izmirit će jamac ili oglašivač, ovisno o troškovima predmeta koje odabere oglašivač.
8. Ovo jamstvo pokriva kvarove opreme koji su posljedica normalnog rada ili oštećenja proizvodnje, a ne odnosi se na potrošni materijal ili drugu dodatnu opremu.
9. Jamstvo ne pokriva nedostatke koji proizlaze iz:
  - Neovlaštenog popravka, preinake ili strukturne promjene koje provodi korisnik ili druge neovlaštene osobe.
  - Mehanička, termička, kemijska ili namjerna oštećenja opreme.
  - Skladištenje i održavanje vizira i druge štete nastale krivnjom korisnika.
  - Opadajuća kvaliteta proizvoda zbog procesa prirodnog trošenja, npr. Abrazije vanjskog premaza proizvoda, ogrebotina, napuklih klizača itd.
  - Oštećenja nastala kao posljedica nepoštivanja načela ispravnog rada, kao i upotreba opreme suprotno namjeravanoj uporabi.

Garant također može odbiti prihvatiti reklamaciju u slučaju formalne greške u vezi s prodajnim dokumentima, poput prazne garancijske kartice, bez dokaza o kupnji itd.

.....  
**Datum kupnje i prodajni pečat**

#### ADRESA SERWISA:

**Profix Sp. z o.o.**

ul. Dobra 3

Łomna-Las

05-152 Czosnów

**e-mail:** serwis@profix.com.pl

**tel.** 022 785 96 75



**ZA SIGURNU UPOTREBU, UPUTSTVO ZA PROIZVOD TREBA PROČITATI.**

Čuvajte priručnik za buduću upotrebu.

**1. NAMJENA KORIŠTENJA I KARAKTERISTIKE PROIZVODA:**

Kaciga za zavarivanje s automatskim filterom za samotamnjenje **LAHTI PRO L1540500** dizajnirana je za zaštitu lica i očiju od iskre, čipsa i štetnog zračenja tokom zavarivanja. Udoboljava zahtjevima norme EN 379: 2003 + A1: 2009, EN 175: 1997 i Uredbe 2016/425. Adresa web stranice na kojoj možete pristupiti EU izvaji o sukladnosti: [www.lahtipro.pl](http://www.lahtipro.pl)

Provedeno je testiranje kaciga: **DIN CERTCO Gesellschaft für Konformitätsbewertung mbH**, Alboinstraße 56, 12103 Berlin, Njemačka. No jedinica obavijest: 0196.

Kaciga se također može koristiti kao lična zaštitna oprema za vrijeme manjih i kratkotrajnih radova brušenja (brušenje metalnih površina pomoću zaklopnih diskova). Nije pogodna za ličnu zaštitu tokom procesa rezanja metala brusnim kotačima.

Kaciga je opremljena velikim vizikom 100x50 mm. Automatski filter za zamračivanje automatski se mijenja iz svijetlog u tamni nakon paljenja luka i nakon zavarivanja ponovo postaje svijetliji.

Kaciga pruža potpunu zaštitu od UV / IR (ultraljubičastog / infracrvenog) zračenja, čak i kada je filter osvijetljen. Dva fotosenzora garantiraju ispravan rad maske u svim uslovima i položajima.

Kaciga je spremna za trenutnu upotrebu, treba je samo prilagoditi veličini glave zavarivača te odabiru i podešavanju ispravnih parametara performansi.



**NAPOMENA!** Kaciga za zavarivanje ispunjava sigurnosne standarde za zavarivanje. Koriste ga samo obučeni zavarivači.

**Sigurna upotreba ovog proizvoda zahtijeva pravilnu obuku za zavarivanje. Ne koristite masku napravljenu od zaštitnog stakla ili bez filtera.**

**Ne koristite masku ako je bilo koji njen dio oštećen. Koristite na sobnoj temperaturi od -5°C do +55°C.**



**UPOZORENJE!**

**Kaciga za zavarivanje nije prikladna za rezanje laserskim i oksidno-acetilenskim bakljama. Kaciga ne štiti od eksplozivnih ili korozivnih materija.**

**Vizir ne pruža zaštitu od teških udara.**

**Ne stavljajte kacigu vrućih površina.**

**2. IZGRADNJA:**

Kalem za zavarivanje koji se sam zatamnjuje sastoji se od tri osnovna modula:

- tijelo kacige izrađeno od termički stabilnog polimera otpornog na habanje u koji se ne zalijepi raspršivač;
- šarku montaže na pokrivala za glavu;

- filter za tamnjenje.

**■ Komponente kaciga (vidi sliku A, stranica 2):**

1. Tijelo kacige
2. Regulisana pokrivala za glavu
3. Mehanizam odgovarajuće trake na opseg glave
4. Mehanizam za podešavanje kuta vizira i udaljenosti između očiju zavarivača i sočiva zaštitnog filtera
5. Dugme za podešavanje načina rada i stepena zatamnjenosti
6. Vanjsko zaštitno staklo
7. Uložak filtra
8. Unutrašnje zaštitno staklo

**■ Komponente automatskog zatamnjenja (vidi Sliku B, stranica 2):**

1. TEST taster
2. Prilagodite vrijeme osvijetljavanja nakon zavarivanja
3. Podešavanje osjetljivosti
4. Unutrašnje zaštitno staklo
5. Spremnik baterije
6. Indikator pražnjenja baterije
7. Solarne ćelije
8. UV / IR filter
9. Foto senzor

**3. TEHNIČKI PODACI:**

MODEL	L1540500
<b>Napajanje:</b> solarne ćelije +2x litijumske CR2032 zamjenjive baterije	
Uključivanje / isključivanje napajanja	automatski
Dimenzija vidnog polja	100x50 mm
Veličina filtra	110x90x10 mm
Stepen zatamnjenja svetlosti	4 prema DIN-u
Stepen zaštite od UV / IR zračenja	Čvrsta - 16 prema DIN-u
Raspon tame	9-13 prema DIN-u
Kašnjenje prebacivanja - svijetlo / tamno	1/25000 s
Kašnjenje prebacivanja - tamno / svijetlo	0.1~1.0 s
Osjetljivost / Odogoda	glatko podešavanje
Radna temperatura	od -5°C do +55°C
Temperatura skladištenja	od -20°C do +70°C
Broj lučnih fotosenzora	2
Funkcija "brušenje"	tako
Materijal za vizir	poliamid, polipropilen, polietilen
Filtrirajte samokontrolu	tako
Ukupna težina	480g
Dimenzije kutije	330x230x230 mm

#### 4. TAMNIJE PREPORUKE:

Tablica u nastavku prikazuje preporučene razine zatamnjena za zadani način zavarivanja i vrijednost struje zavarivanja. Na odabir zatamnjena filtera također utječu:

- vrsta matičnog metala;
- razina osvijetljenja (vrijednosti date u tablici prikladne su za prosječne radne uvjete u kojima je oka rukovodaca od baze zavarivanja približno 50 cm, a prosječna osvijetljenost je približno 100 lx);
- položaj operatera u odnosu na plamen ili električni luk. Ovisno o tome da li se zavarivač naginje nad radnim dijelom ili radite

ispruženih ruku, možda će biti potrebna promjena barem jednog stupnja tame;

- ljudski faktor (vrijednosti date u tablici pogodne su za operatore s normalnim vidom. Osobe s oštećenjem vida trebaju odabrati stupanj zatamnjivosti prema individualnim potrebama, koristeći naizmjenično veće ili manje nesvjesticke);
  - za radove koji se izvode na otvorenom na jakom suncu preporučuje se povećanje nivoa zatamnjivanja za najmanje jedan;
- Ovisno o uvjetima u kojima se odvija postupak zavarivanja, možda će biti potrebno povećati / smanjiti stupanj tame.

PROCES ZAVARIVANJA	TRENUTNO (A)																							
	1,5	6	10	15	30	40	60	70	100	125	150	175	200	225	250	300	350	400	450	500	600			
SMAW	8						9			10			11			12			13			14		
MAG	8						9			10			11			12			13			14		
TIG	8						9			10			11			12			13					
MIG teški metali							9			10			11			12			13			14		
MIG lake legure										10			11			12			13			14		
SAW										10			11			12			13			14		
PAC										9			10			11			12			13		
PAW	4		5		6		7		8		9		10		11		12							

#### ■ Objašnjenje kratica:

**REL** - zavarivanje elektrodom obložena

**MAG** - zavarivanje topljivom elektrodom u kemijski aktivnom plinskom štitniku;

**TIG** - zavarivanje volframove elektrode u inertnom plinu;

**MIG** - zavarivanje sa topljivom elektrodom u inertnom plinskom štitniku;

**SAW** - zavarivanje podvodnim lukom;

**PAC** - rezanje mlazom u plazmi;

**PAW** - mikroplazmatsko zavarivanje lukom.

#### 5. PRAVILA SIGURNOSNE UPOTREBE:



**NAPOMENA! Prije upotrebe kacige za zavarivanje ključno je pročitati ovaj priručnik. Moraju se poštovati pravila zdravlja i zaštite na radu. U**

**slučaju bilo kakvih nepravilnosti u radu kacige, bilo kakvih nedoumica u vezi s njenom pravilnom upotrebom, prijavite to svom nadzorniku ili se obratite lokalnom ovlaštenom servisnom centru.**

- Zabranjeno je koristiti kacigu za njenu namjenu.
- Prije početka radova tehničke karakteristike kacige za zavarivanje moraju se procijeniti. Kaciga gubi sposobnost upotrebe ako u zaštitnom staklu ili viziru dođe do oštećenja, zamrzavanja, boje, ogrebotina ili pukotina. U tom slučaju vizir ili leče treba zamijeniti.
- NAPOMENA! Za zamjenu se mogu koristiti samo originalni i pravilno odabrani dijelovi.**
- Ovisno o procesu zavarivanja, koji korisnik započne, odaberite odgovarajući stupanj zatamnjivanja filtera.
- U slučaju bilo kakvih nepravilnosti u radu kacige, posebno neispravnog filtra automatskog zatamnjivanja (na primjer: nema zatamnjivanja filtera, prekasnog zatamnjivanja, preranog osvijetljenja), oštećenja na tijelu kacige itd., Odmah prestanite s

radom i prijavite problem svom nadzorniku ili kontaktirajte lokalni ovlašteni servis.

- Kaciga ne štiti od udara brzih predmeta.
- Kaciga ne štiti od korozivnih ili eksplozivnih materija.
- Ne stavljajte kacigu i filter za automatsko zatamnjivanje na vruću površinu.
- Kada vizir radi, uvijek mora biti postavljena vanjska zaštitna sočiva. Rad bez postavljenog vanjskog zaštitnog sočiva može dovesti do kvara kacige i gubitka garancije.
- Redovno menjajte spoljno zaštitno staklo. Koristite originalno staklo.
- Izbjegavajte položaje koji omogućuju zavarivanje prskanjem i zračenjem da dođu do nezaštićenih dijelova tijela (zavarivanje iznad glave). Ako to nije moguće, treba primijeniti dodatnu zaštitu.
- Zaštitite filter od tečnosti ili prljavštine. Izbjegavajte kontakt s vodom ili pretjeranom vlagom.
- Prije svake upotrebe očistite kacigu od prljavštine i provjerite da fotosenzori i solarne ćelije smještene na prednjoj strani kacige nisu prekrivene.
- Zaštitite kacigu i njene dijelove od otapala. Za čišćenje koristite meku vlažnu krpu.



**NAPOMENA! Ne vrši nikakve izmjene na kacigi za zavarivanje, koristeći je suprotno namjeravanoj upotrebi, ne slijedeći upute date u ovom priručniku, izlaže korisnika ozljeđivanju i rezultira gubitkom jamstva.**

#### 6. PRIPREMA ZA UPOTREBU:

Kaciga se isporučuje sastavljena i spremna za upotrebu. Međutim, prije upotrebe morate učiniti sljedeće:

1. Kada prvi put upotrebljavate kacigu za zavarivanje, rukovatelj

treba ukloniti zaštitni film sa filtera za potamnjivanje, jer u protivnom tama može biti neispravna ili filter možda neće raditi.

2. Provjerite je li kaciga prikladna za namjeravanu uporabu i jesu li svi dijelovi kaciga na svom mjestu, pravilno sastavljeni i rade pravilno.
3. Podesite traku za glavu sa sklopom šarki tako da se optimalno uklapa u glavu korisnika.
4. Izvršite odgovarajuća podešavanja za osjetljivost, vrijeme kašnjenja i razinu tame zavarivačkog filtra.

## 7. PRIKLJUČIVANJE ŠLEMA (vidi sl. C, str. 2):

Kacigu treba prilagoditi prije upotrebe kako bi se osigurala maksimalna zaštita i udobnost.

Zahvaljujući pravilnom postavljanju kacige, postiže se maksimalna zaštita očiju od ultraljubičastog m (UV) i infracrvenog (IR) zračenja.

### ■ Kontrola

Ukupni opseg trake za glavu operatera može se povećati ili smanjiti gumbom na stražnjoj strani trake za glavu:

- Da biste smanjili opseg, pritisnite gumb **A** i okrenite ga u smjeru kazaljke na satu.
- Da biste povećali opseg, pritisnite gumb **A** i okrenite ga u smjeru suprotnom od kazaljke na satu. Ispravno podešavanje opsega pojasa je kada kaciga za zavarivanje ne padne s glave operatera i ako remen ne izazove pretjerani pritisak.

Previsoko postavljanje vizira na glavu rukovaoca može uzrokovati pad maske, prenisko postavljanje vizira može uzrokovati nelagodnu pri korištenju. Optimalno postavljanje vizira na glavu operatera može se postaviti pomoću **B**- pojasa koji se nalazi u gornjem dijelu trake za glavu.

Trebali biste provjeriti prikladnost trake za glavu tako što ćete nekoliko puta podići i spustiti kacigu kada je na vašoj glavi. Ako je pojas pravilno podešen, vizir treba čvrsto da drži glavu operatera. Ako se utvrdi nepravilnost i ponovo podesite pojas.

### ■ Kontrolirati udaljenost između kacige i lica operatera:

Da biste to učinili, otpustite pričvršne matice **C** i pričvrstite vijke kroz četvrtaste rupe **D** u zaglavju za glavu, pomaknuvši kacigu bliže ili dalje od lica. Nakon usta wieniu zategnite maticu **C**.

**NAPOMENA!** Podešavanje treba obaviti na obje strane kacige. Kako bi se postigli najbolji fokus se preporučuje kao najmanju udaljenost između filtera i oči.

### ■ Podešavanje kuta za spuštanje kacige

Ako kut nagiba maske nije prikladan za operatera, može se podesiti:

- Otpustite matice za montažu **C**.
- Promenite postavku kuta vizira.
- Zategnite matice za montažu **C**.

**NAPOMENA!** Ispravan kut nagiba kacige štiti od prodora strugotine i zračenja prema bradi operatera.

## 8. UPOTREBA:

### ■ Snaževanje kacigama

Kacigu pokreću dvije litijumske baterije CR2032 3V napunjene solarnim ćelijama. U normalnim uvjetima zavarivanja to osigurava vijek trajanja baterije od 5000 sati.

Uključivanje i isključivanje filtera automatski se upravlja fotosenzorima. Na unutarnjoj upravljačkoj ploči nalazi se tipka "TEST" koja omogućuje provjeru ispravnog rada automatike kacige (prekidač za način rada

treba postaviti za zavarivanje) i diodni indikator stanja pražnjenja baterije. Dioda niskog napona ne radi kada je napajanje filtera dostatno. Potrebna je zamjena baterije.

### ■ Izbor nivoa zatamnjavanja vizira:

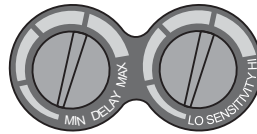
Prema tabeli na str. 4 izabrati odgovarajući nivo zatamnjivosti za određeni postupak zavarivanja i podesiti dugme za podešavanje načina rada i stepena zatamnjivosti **5** (vidi crtež **C**) na odgovarajuću poziciju **9-13**.

Tokom brušenja dugme **5** podesiti na poziciju **BRUŠENJE/GRIND**, čime se isključuje zatamnjivost.

### ■ Postavljanje osjetljivosti i vremena osvjetljavanja nakon zavarivanja:

Na početku zavarivanja, filter se automatski mijenja od svijetlog do tamnog unutar 1 / 25000s.

Jednostavno podešavanje osjetljivosti filtera na električni luk vrši se dugmetom **OSJETLJIVOST/SENSITIVITY** smještenom na kaseti filtera. Preporučuju se veće postavke (**HI**) za male struje ili TIG metodu, niže vrijednosti (**LO**) za visoke struje ili MIG / MAG metoda.



Operater ima mogućnost podešavanja vremena odgode prelaska filtera iz tamnoga u svijetli način rada pomoću dugmeta **ODGODA/DELAY** smještenog na kaseti filtera pored dugmeta osjetljivosti – **OSJETLJIVOST/SENSITIVITY**. To dugme omogućava jednostavno podešavanje vremena reakcije filtera od 0,1 s do 1,0 s.

Vrijeme kašnjenja nadoknađuje efekt sjaja na zavarenom dijelu. Postavljanje **MIN** (minimum kašnjenje), **MAX** (maksimalna vrijednost vremena kašnjenja).

## 9. RJEŠAVANJE RJEŠAVANJA:

### 1. Nepravilno zatamnjivanje

- a) Traka je pogrešno postavljen i postoji neujednačena udaljenost od oka filteru staklo (*promijeniti bend na jačinu crijevo kako bi se smanjila razlika u udaljenostima od filtera*).

### 2. Filter za tamnjenje samo zatamni i ne treperi.

- a) Vetrobransko staklo je zaprljano ili oštećeno (*očistiti ili zamijeniti*).
- b) Senzori su prljavi (*očistite površinu senzora*).
- c) Struja zavarivanja preniska (*postavite prekidač osjetljivosti u položaj "MIX"*).
- d) Isključene su baterije (*zamijenite baterije*).

### 3. Polaka reakcija

- a) Radna temperatura je preniska (*kacigu ne koristite na temperaturi nižoj od -5 °C*).

### 4. Loša vidljivost

- a) Vetrobransko staklo / unutrašnje vetrobransko staklo / ili filter su prljavi (*očistite ili zamenite*).
- b) Ambijentalna rasvjeta nije dovoljna (*osvijetlite pravilno*).

- c) Filtrirajte tamnu vrijednost pogrešno (provjerite preporučene razine tame u ovom priručniku i postavite je na ispravnu).

## 5. Kaciga se spušta s glave

- a) Traka za glavu nije pravilno postavljena (prilagodite traku za glavu).

## 10. ODRŽAVANJE I SKLADIŠTENJE:

Redovno i pažljivo obavljajte održavanje kaciga. Ovo će masku održavati u dobrom stanju.

Proizvod treba čuvati u priloženom jedinstvenom pakovanju u tamnoj, suvoj, ventiliranoj i zatvorenoj prostoriji. Za vrijeme skladištenja ne prekoračite temperaturni opseg od -20 stupnjeva do +70 stupnjeva C. Zaštitite od prašine, prašine i drugih onečišćenja (plastične vrećice, vrećice, itd.). Zaštitite od mehaničkih oštećenja. Prevoz - u isporučenim jediničnim paketima, u kartonima, u zatvorenim prevoznim sredstvima.

### ■ Čišćenje

Filter se može očistiti čistom i glatkom krpom ili pamučnim materijalom.

Ne uranjajte kacigu u filter u vodu i nikada ne koristite abrazivna sredstva za čišćenje, otapala i deterdžente na bazi ulja.

Ne otvarajte kasetu za filtriranje sami. Kasetu za filtriranje može demontirati ovlaštenu servisnu centar ili kvalificirana osoba. U suprotnom se garancija poništava.

### ■ Zamena zaštitnog stakla:

Kako bi se osiguralo višegodišnji nesmetan rad filtera, zabranjeno je koristiti kacigu bez polikarbonatnog zaštitnog stakla. Prednje zaštitno staklo treba redovito zamijeniti, koje će prirodno potamniti kao rezultat udara od udara tokom zavarivanja.

Da biste zamijenili zaštitno staklo, prvo uklonite kasetu s filtrom za automatsko zatamnjivanje, a zatim uklonite čašu prema unutrašnjosti kacige.

**NAPOMENA!** Zamjenu i postavljanje filteraskog uloška treba izvesti kvalificirano i obučeno osoblje.

### ■ Zamena baterija za napajanje filtera

Ako se lampica "LOW BAT" svijetli, zamijenite baterije novom.

Baterije su smještene u dva međusobno odvojena spremnika na kaseti filtera. Da bi se zamijenila baterija, potrebno je okrenuti i skinuti poklopac spremnika. Potrošenu bateriju izvaditi i zamijeniti novom. Zatvoriti poklopac i ponoviti već opisani postupak s drugom baterijom.

**NAPOMENA!** Zamijenite baterije samo u paru. Ni e mix baterije nosi njen novim.

### ZAŠTITA OKOLINE:



**NAPOMENA!** Prikazani simbol znači da je zabranjeno odlaganje rabljene opreme zajedno s drugim otpadom (uz rizik od novčane kazne). Štetne komponente koje se nalaze u električnoj i elektroničkoj opremi štetno djeluju na prirodno okruženje i zdravlje ljudi.

Domaćinstvo treba doprinijeti oporavku i ponovnoj uporabi (recikliranju) korištene opreme. U Poljskoj i Europi kreira se ili već postoji sustav prikupljanja rabljene opreme, pod kojim su navedena prodajna mjesta s navedena oprema mora uzeti rabljenu opremu. Osim toga, postoje i zbirna mjesta za gore navedeno opremu.

## 11. OBJAŠNENJE FILTERSKIH MARKINGA:

**MODEL: ADF GX-800S** - model filtera sa samotamnjem;

**CAN/CSA Z94.3** - kanadski sigurnosni standard;

**ANSI Z87.1** - američki sigurnosni standard;

**4/9-13 GX 1/1/1/2/379 CE** - oznaka filtera za zavarivanje s ručnom postavkom zaštite, gdje:

**4** - svjetlosni broj; **9** - br. najsvjetlijeg tamnog stanja; **13** - br. najtamnijeg stanja; **GX** - šifra proizvođača; **1** - optička klasa; **1** - klasa difuzije svjetlosti; **1** - klasa odstupanja koeficijenta prolaska svjetlosti; **2** - klasa ovisnosti faktora prijenosa svjetlosti od kuta; **379** - Europski standard br. Za automatske filtere za zavarivanje EN 379, **CE** - znak usklađenosti s novim direktivama o pristupu EC.

### UVOZNIK/OVLAŠTENI ZASTUPNIK:

Profix Sp. z o.o.,

ul. Marywilska 34,

03-228 Warszawa, Polska



Politika kompanije PROFIX je politika stalnog usavršavanja svojih proizvoda i, prema tome, kompanija zadržava pravo da promeni specifikacije proizvoda bez prethodne najave. Slike date u korisničkom priručniku su primjeri i mogu se malo razlikovati od stvarnog izgleda kupljenog uređaja.

Ovaj priručnik je zaštićen autorskim pravima. Kopiranje / reprodukcija bez pismenog pristanka Profix Sp. z o. o. je zabranjeno.

### 13. GARANCIJA:

Da biste iskoristili garancijsku uslugu, neispravan proizvod možete vratiti na mjesto kupnje ili kod ovlaštenog distributera ili preprodavača PROFIX proizvoda od kojih je proizvod kupljen. Prije vraćanja proizvoda morate dobiti informacije o pravilima povrata. Tipično, trebali biste uključiti podatke o identifikaciji proizvoda, uključujući broj modela i serijski broj, te detaljan opis prijavljenog problema. Morate priložiti i dokaz o kupovini na prodajnom mjestu koji potvrđuje da garancijski rok nije završen.

1. Garancija proizvoda obuhvata dvije godine od datuma kupovine.
2. Kvarovi koji su otkriveni tijekom jamstvenog roka besplatno će se otkloniti u roku od 14 radnih dana od datuma isporuke proizvoda na adresu tvrtke koja se prodaje, a garancijski rok produžava se za trajanje popravka.
3. Garantni list je važeći ako ima datum kupovine, pečat prodajnog mjesta ili prilog u obliku dokaza o kupnji.
4. Da biste izvršili garancijski popravak, proizvod se mora dostaviti na prodajno mjesto o svom trošku. Nakon popravke, proizvod će biti poslat oglašivaču na teret garanta.
5. Oglašivač treba osigurati vizir primjerenom zaštićen od oštećenja tokom transporta.
6. Oglašavanje -limiting odgovoran za bilo kakvu kacigu gubitak u trenutku isporuke, a garant obavezuje da daju popraviti kacige oglašivača i odgovoran je za svoj eventualni gubitak u transportu.
7. Tijekom jamstvenog roka oštećeni ventil će se popraviti besplatno ili ga garant zamijeniti za isti, bez oštećenja. Ako nije moguće popraviti ili zamijeniti uređaj novim uređajem, oglašivač ima pravo na povrat uplaćenog iznosa ili na odabir druge opreme obje vrijednosti i specifikacija. Svaku novčanu razliku izmirit će garant ili oglašivač, ovisno o troškovima predmeta koje odabere oglašivač.
8. Ova garancija pokriva kvarove opreme koji su posljedica normalnog rada ili zbog oštećenja proizvodnje, a ne odnosi se na potrošni materijal ili drugu dodatnu opremu .
9. Jamstvo ne pokriva kvarove koji nastaju zbog:
  - Neovlašteni popravak, preinake ili strukturne promjene koje provodi korisnik ili druge neovlaštene osobe.
  - Mehanička, termička, hemijska ili namjerna oštećenja opreme.
  - Skladištenje i održavanje vizira i druga oštećenja nastala po krivici korisnika.
  - Opadajuća kvaliteta proizvoda zbog procesa prirodnog habanja, npr. Abrazije vanjskog premaza proizvoda, ogrebotina, napuklih klizača itd.
  - Oštećenja nastala kao posljedica nepoštivanja načela ispravnog rada, kao i upotreba opreme suprotno njegovoj namjeravanoj uporabi.

Garant takođe može odbiti prihvatiti reklamaciju u slučaju formalne greške u vezi s prodajnim dokumentima, poput prazne garancijske kartice, bez dokaza o kupovini itd.

.....  
**Datum kupovine i pečat prodavača**

#### ADRESA SERVISA:

**Profix Sp. z o.o.**

ul. Dobra 3

Łomna-Las

05-152 Czosnów

**e-mail:** serwis@profix.com.pl

**tel.** 022 785 96 75



