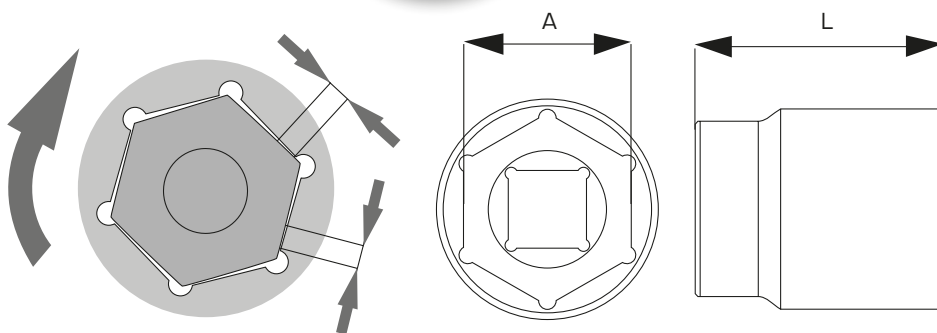


**NASADKA UDAROWA SZEŚCIOKĄTNA
WYDŁUŻONA**



CECHY PRODUKTU

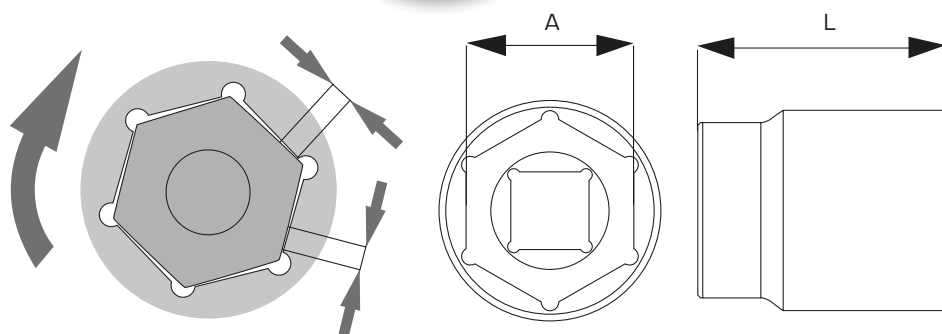
Dostarczana w pudełku kartonowym lub na zawieszce.

1/2" 3/4" CrMo SCM-440 PRO DRIVE

KOD	GRUPA ROZMIARÓW	A [MM]	L [MM]		
18440	1/2"	10	78	-	30/120
18441	1/2"	11	78	-	30/120
18442	1/2"	12	78	-	30/120
18443	1/2"	13	78	-	30/120
18444	1/2"	14	78	-	30/120
18445	1/2"	15	78	-	30/120
18446	1/2"	16	78	-	30/120
18447	1/2"	17	78	-	25/100
18448	1/2"	18	78	-	24/96
18449	1/2"	19	78	-	24/96
18450	1/2"	20	78	-	20/80
18451	1/2"	21	78	-	20/80
18452	1/2"	22	78	-	18/72
18453	1/2"	23	78	-	15/60
18454	1/2"	24	78	-	15/60
18455	1/2"	25	78	-	15/60
18456	1/2"	26	78	-	12/48

PROLINE®

**NASADKA UDAROWA SZEŚCIOKĄTNA
WYDŁUŻONA**



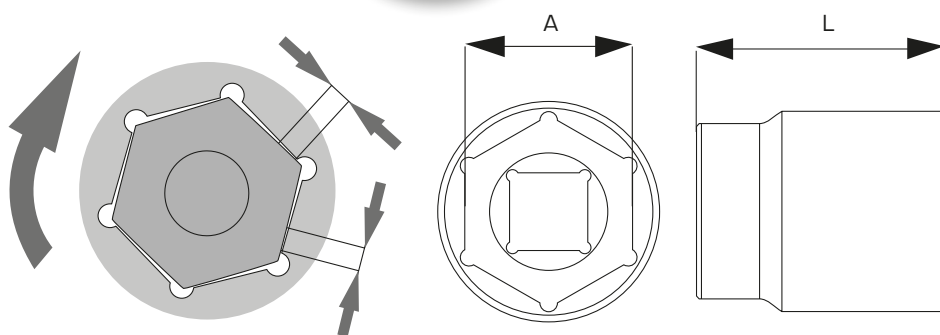
CECHY PRODUKTU

Dostarczana w pudełku kartonowym lub na zawieszce.

1/2" 3/4" Cr-Mo SCM-440 PRO DRIVE

KOD	GRUPA ROZMIARÓW	A [MM]	L [MM]		
18457	1/2"	27	78	-	12/48
18458	1/2"	28	78	-	12/48
18459	1/2"	29	78	-	10/40
18460	1/2"	30	78	-	10/40
18462	1/2"	32	78	-	10/40
ZR18440	1/2"	10	78	x	30/120
ZR18441	1/2"	11	78	x	30/120
ZR18442	1/2"	12	78	x	30/120
ZR18443	1/2"	13	78	x	30/120
ZR18444	1/2"	14	78	x	30/120
ZR18445	1/2"	15	78	x	30/120
ZR18446	1/2"	16	78	x	30/120
ZR18447	1/2"	17	78	x	25/100
ZR18448	1/2"	18	78	x	24/96
ZR18449	1/2"	19	78	x	24/96
ZR18450	1/2"	20	78	x	20/80
ZR18451	1/2"	21	78	x	20/80

PROLINE®

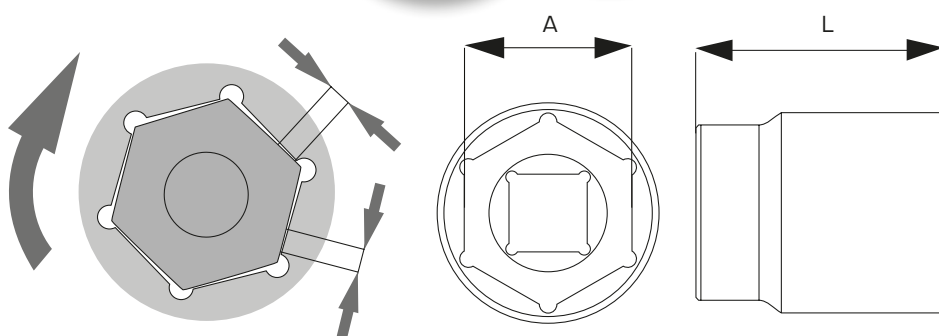


CECHY PRODUKTU

Dostarczana w pudełku kartonowym lub na zawieszce.

1/2" 3/4" Cr-Mo SCM-440 PRO DRIVE

KOD	GRUPA ROZMIARÓW	A [MM]	L [MM]		
ZR18452	1/2"	22	78	x	18/72
ZR18453	1/2"	23	78	x	15/60
ZR18454	1/2"	24	78	x	15/60
ZR18455	1/2"	25	78	x	15/60
ZR18456	1/2"	26	78	x	12/48
ZR18457	1/2"	27	78	x	12/48
ZR18458	1/2"	28	78	x	12/48
ZR18459	1/2"	29	78	x	10/40
ZR18460	1/2"	30	78	x	10/40
ZR18462	1/2"	32	78	x	10/40
18969	3/4"	19	90	-	9/36
18971	3/4"	21	90	-	9/36
18972	3/4"	22	90	-	9/36
18973	3/4"	23	90	-	9/36
18974	3/4"	24	90	-	9/36
18975	3/4"	25	90	-	9/36

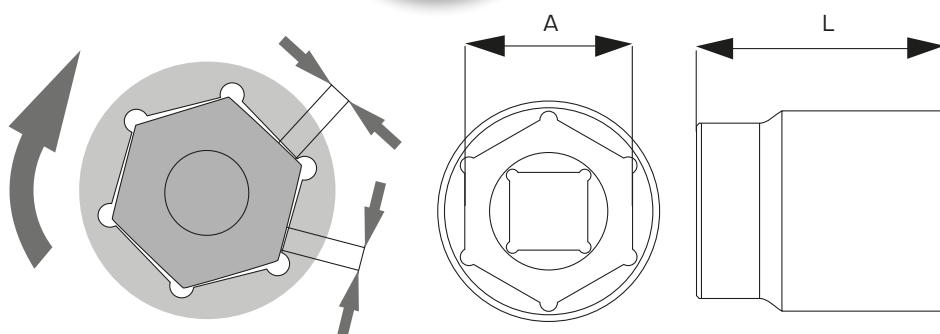


CECHY PRODUKTU

Dostarczana w pudełku kartonowym lub na zawieszce.

1/2" 3/4" CrMo SCM-440 PRO DRIVE

KOD	GRUPA ROZMIARÓW	A [MM]	L [MM]		
18976	3/4"	26	90	-	9/36
18977	3/4"	27	90	-	9/36
18978	3/4"	28	90	-	8/32
18979	3/4"	29	90	-	8/32
18980	3/4"	30	90	-	7/28
18982	3/4"	32	90	-	7/28
18983	3/4"	33	90	-	6/24
18984	3/4"	34	90	-	6/24
18985	3/4"	35	90	-	6/24
18986	3/4"	36	90	-	6/24
18988	3/4"	38	90	-	6/24
18991	3/4"	41	90	-	5/20
18992	3/4"	42	90	-	4/16
18993	3/4"	43	90	-	3/12
18996	3/4"	46	90	-	2/12
18998	3/4"	48	90	-	2/8



CECHY PRODUKTU

Dostarczana w pudełku kartonowym lub na zawieszce.

1/2" 3/4" CrMo SCM-440 PRO DRIVE

KOD	GRUPA ROZMIARÓW	A [MM]	L [MM]		
18999	3/4"	50	90	-	2/8
ZR18969	3/4"	19	90	x	9/36
ZR18971	3/4"	21	90	x	9/36
ZR18972	3/4"	22	90	x	9/36
ZR18973	3/4"	23	90	x	9/36
ZR18974	3/4"	24	90	x	9/36
ZR18975	3/4"	25	90	x	9/36
ZR18976	3/4"	26	90	x	9/36
ZR18977	3/4"	27	90	x	9/36
ZR18978	3/4"	28	90	x	8/32
ZR18979	3/4"	29	90	x	8/32
ZR18980	3/4"	30	90	x	7/28
ZR18982	3/4"	32	90	x	7/28
ZR18983	3/4"	33	90	x	6/24
ZR18984	3/4"	34	90	x	6/24
ZR18985	3/4"	35	90	x	6/24