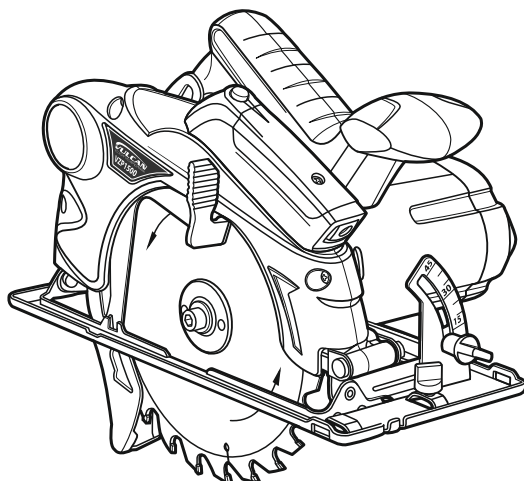


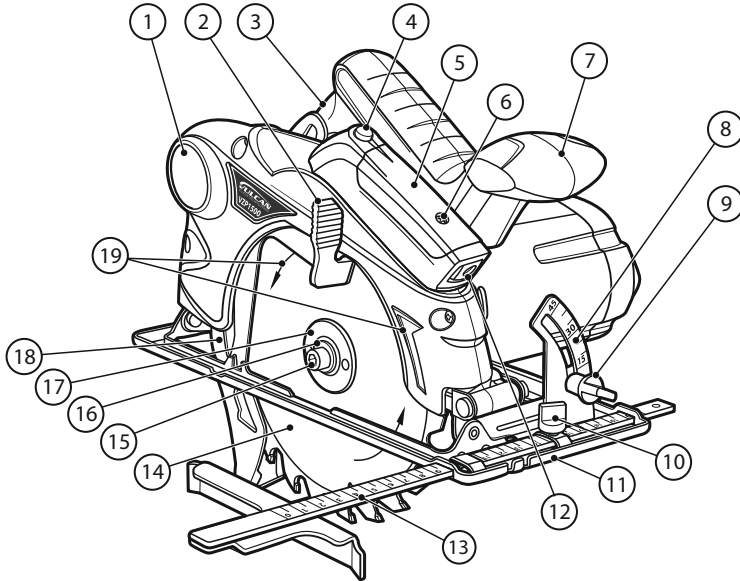
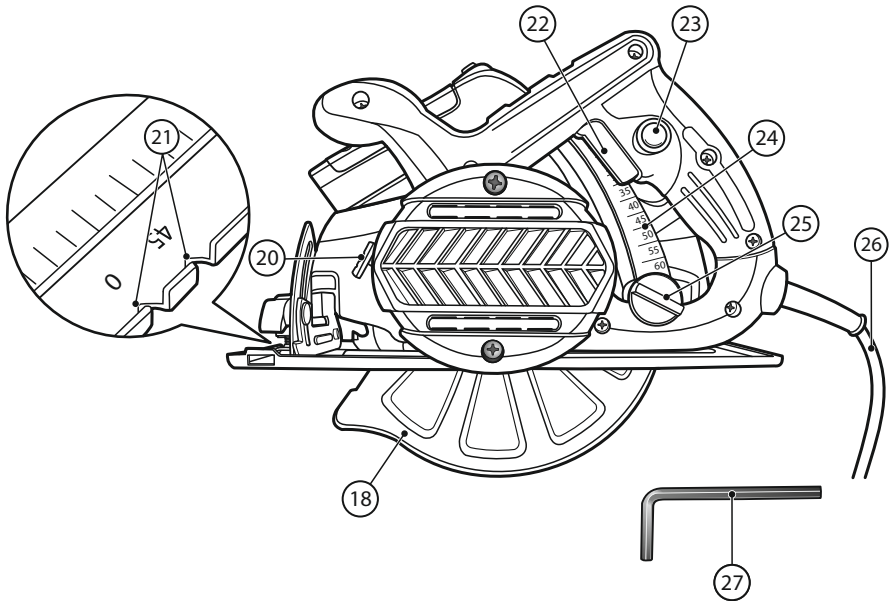
VULCAN

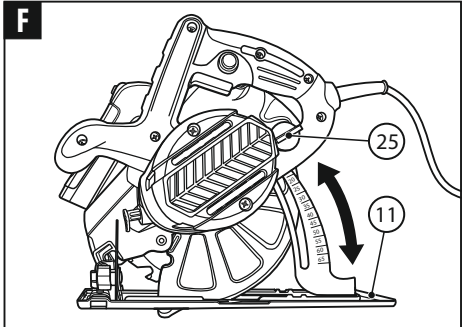
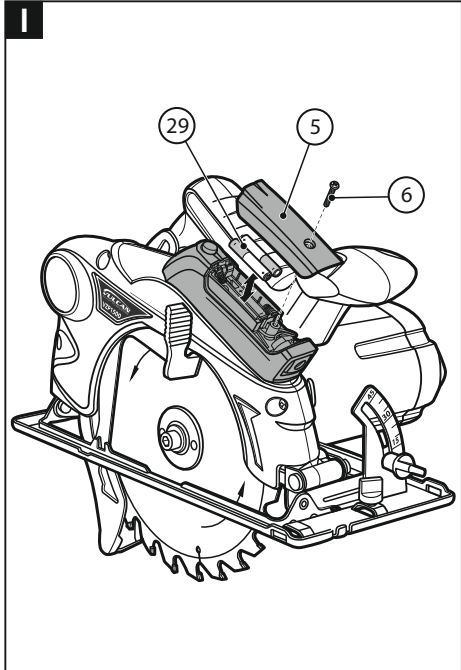
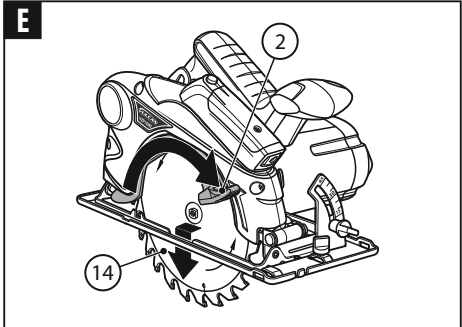
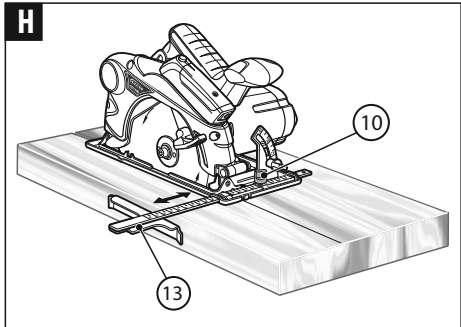
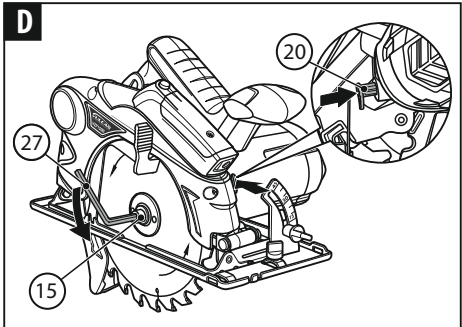
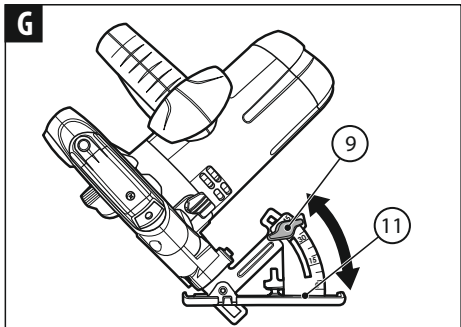
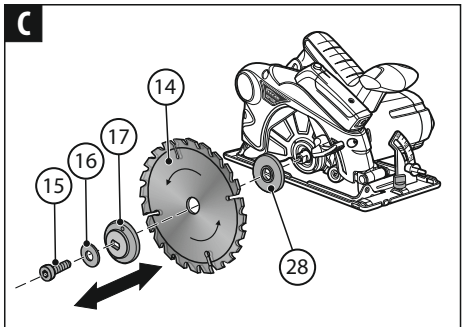
concept



VZP1500

EN	Instruction manual	HAND-HELD CIRCULAR SAW	4
PL	Oryginalna instrukcja obsługi	RĘCZNA PILARKA TARCZOWA	10
RU	Инструкция по эксплуатации	РУЧНАЯ ЦИРКУЛЯРНАЯ ПИЛА	17
RO	Instrucții de folosire	FERĂSTRĂU CIRCULAR	25
LV	Lietošanas instrukcija	ROKAS RIPZĀĢIS	32
LT	Naudojimo instrukcija	RANKINIS DISKINIS PJŪKLAS	39
CS	Návod na obsluhu	RUČNÍ KOTOUČOVÁ PILA	45
HU	Használati utasítások	KÖRFŰRÉSZ	51

A**B**






BEFORE YOU START USING THE MACHINE READ THOROUGHLY THIS MANUAL.

Keep this document for future reference.



WARNING! Read all safety warnings marked with a symbol  and all operating safety instructions.

To limit the risk of fire, electric shock and injury while using the device, follow all operating safety instructions and tips provided below.

Keep all work safety instructions and tips for future reference.

In warnings provided herein the expression "power tool" means a power tool powered from the mains (with a power cord) or a battery powered power tool (cordless).



WARNING! General work safety warnings for use of the tool.

Workplace safety:

- Keep your workplace tidy and well lit. Untidiness and bad lighting result in higher accident rate.
- Do not use the power tool in explosive environments, created by flammable liquids, gases or dusts. The power tool generates sparks that can ignite dust or vapors.
- Keep children and unauthorized persons away from the place where the power tools are used. Inattention may result in losing control over your power tool.



WARNING! General warnings regarding the use of power tools.

Electricsafety:

- Plugs used in power tools must match wall outlets. Never modify the plug of your power tool. Do not use any extension cables when operating a power tool with a grounding/earthing conductor (PE). Any modifications of plugs and outlets increase the risk of electric shock.
- Avoid touching earthed surfaces or grounded items like pipes, heaters, central heating radiators and refrigerators. Touching earthed or grounded surfaces increases the risk of electric shock.
- Do not expose your power tool to rain or damp environments. Water penetrating the tool increases the risk of electric shock.
- Do not damage the power cord. Never use the power cord to carry, pull the power tool and do not pull by its power cord to disconnect plug from the outlet. Keep the power cord away from sources of heat, oils, sharp edges and moving parts. Damaged or entangled power cords increase the risk of electric shock.
- When your power tool is operated outdoors use extension cords intended for outdoor use only. Using an extension cable intended for outdoor use decreases the risk of electric shock.
- It is recommended to connect the device to a mains supply equipped with a residual current device (RCD) with a rated current of 30 mA or less.
- When it is unavoidable to use your power tool in a damp environment use an RCD (Residual Current Device) for protection. The use of RCDs decreases the risk of electric shock.



WARNING! General warnings regarding the use of power tools.

Personal safety:

- This equipment is not intended for use by persons (including children) disabled physically, mentally, sensorial or persons with no experience and knowledge in operating the equipment unless they operate the equipment under supervision or follow user's instructions provided by persons responsible for their safety.
- It is necessary to predict steps, watch and keep common sense when using power tools. Do not operate power tools when you are tired, under influence of drugs, medicine or alcohol. A moment of inattention while operating a power tool may result in serious personal injury.
- Use personal protective equipment (PPE). Always wear safety goggles. Wearing personal protective equipment (PPE) including a dust mask, anti-slippery footwear, a helmet and ear protection reduces personal injury.
- Avoid unexpected start up. Before connecting your power tool to the mains and/or inserting a battery make sure its power switch is in off position. Carrying your power tool with a finger on its power switch or without disconnecting it from the mains (switched on) may result in an accident.
- Before starting your power tool remove any keys/wrenches. Leaving a key/wrench in the rotating part of your power tool may result in personal injury.
- Do not lean forward too far. Always remain stable and maintain balance. It will allow you to have a better control over your power tool in unpredictable situations.
- Wear appropriate clothing. Do not wear loose clothes or jewelry. Keep your hair tied. Keep your clothes away from moving parts. Loose clothes, jewelry or long hair may be caught by moving parts.
- If your power tool allows for using an external dust extraction or collection system, make sure it is connected and used properly. Using dust collectors may reduce dust affected risks.
- Do not let your skills gained through the frequent use of the power tool make you overconfident and disregard safety rules. Carelessness may cause injury in a fraction of a second.



WARNING! General warnings regarding the use of power tools.

Use and taking care of your power tool:

- Do not overload your power tool. Use a power tool with power adjusted to work being done. An appropriately chosen power tool will allow you to work better and safer under load it has been designed for.
- Do not use a power tool when its power switch is out of order (it does not switch it on or off). Any power tool with its power switch out of order is dangerous and must be repaired.
- Always disconnect the plug from the power source and/or disconnect its battery before changing any settings, performing replacement or storage. Such preventive measures reduce the risk of accidental power tool start up.
- Keep your power tool out of reach of children and do not allow unauthorized persons to use the power tool. Power tools in hands of untrained persons can be dangerous.
- Power tools require maintenance. Check power tools for concentricity or jamming of moving parts, any cracks and all

other factors affecting the power tool work safety. If any damage to the power tool is detected, it should be repaired before use. Improper power tool maintenance is a reason for many accidents.

- f) **Cutting tools should be sharp and clean.** Keeping sharp cutting edges in good condition reduces the risk of jamming and facilitates operation.
- g) **Power tools, equipment, working tools etc. should be used according to this user's manual taking into account operating conditions and the work to be done.** Misusing a power tool can result in dangerous situations.
- h) **At low temperatures and after a long brakes in operation it is recommended to turn the power tool to operate it with no load for a few minutes to provide proper grease distribution inside its driving mechanism.**
- i) **Use soft, damp (cannot be wet) cloth and soap to clean power tools. Do not use petrol, solvents and other agents that may damage your equipment.**
- j) **Power tools can be stored/carried after making sure that all moving components are locked and protected against release with original devices intended for this purpose.**
- k) **Store power tools in a dry, dust and water-protected place.**
- l) **Carry your power tool in its original packaging to provide protection against mechanical damage.**
- m) **Keep handles and grip surfaces clean and free from oil and grease.** Secure grip and control over the tool in unexpected circumstances are impossible if handles and grip surfaces are slippery.



WARNING! General warnings regarding the use of power tools.

Repair:

- a) **Warranty and post-warranty repairs of its power tools are carried out by PROFIX Service, which guarantees the best quality or repair and use of genuine spare parts.**
- b) **If a fixed power cord is damaged, to avoid risks it should be replaced by power tool manufacturer or in a speciality repair shop or by a qualified person.**



WARNING!

CIRCULAR SAW – safety warnings:

- a) **Keep your hands away from the cutting area and the blade. Keep your second hand on the ancillary handle or on the motor housing.** If both hands are holding the saw, they cannot be cut by the blade.
- b) **Do not reach underneath the workpiece.** The guard cannot protect you from the blade underneath the workpiece.
- c) **Set the cutting depth to match the thickness of the item to be cut.** The saw blade should extend below the workpiece by no more than the height of the tooth.
- d) **Never hold the item being cut in your hands or across your leg. Fix the item to a stable base.** Stable fixing of the item being cut is necessary to minimize body exposure, blade binding, or loss of control.
- e) **Hold the saw by the insulated gripping surfaces when performing an operation where the saw may contact hidden live wiring or its own cord.** Contact with a "live" wire will also make

exposed metal parts of the tool "live" and shock the operator.

- f) **When ripping always use a rip fence or straight edge guide.** This improves the accuracy of cut and reduces the chance for blade binding.
- g) **Always use blades with correct size and shape (diamond vs. round) arbor holes.** Blades that do not match the mounting hardware of the saw will run eccentrically, causing loss of control.
- h) **Never use damaged or incorrect blade washers or bolts.** The blade washers and bolt were specially designed for the specific saw, for optimum performance and safety of operation.

Causes and prevention of kickback:

- kickback is a sudden reaction to a pinched, bound, or misaligned saw blade, causing an uncontrolled saw to lift up and out of the workpiece toward the operator;
- when the blade is pinched or bound tightly by the kerf closing down, the blade stalls and the motor reaction drives the unit rapidly back toward the operator;
- if the blade becomes twisted or misaligned in the workpiece, the teeth at the back edge of the blade can dig into the top surface of the wood, causing the blade to climb out of the kerf and jump back toward the operator.

Kickback is the result of improper use of the saw or incorrect operating procedures or conditions and can be avoided by taking proper precautions, as listed below.

- a) **Maintain a firm grip with both hands on the saw and position your arms to allow you to resist the kickback force. Stand on one side of the saw so as to be away from the cutting line of the saw.** Kickback may cause the saw to jump backward, but the kickback force can be controlled by the operator if proper precautions have been observed.
- b) **When blade is binding, or when interrupting a cut for any reason, release the trigger and hold the saw motionless in the material until the blade comes to a complete stop. Never attempt to remove the saw from the workpiece or pull the saw backward while the blade is in motion or kickback may occur.** Investigate and take corrective actions to eliminate the cause of blade binding.
- c) **When restarting a saw in the workpiece, center the saw blade in the kerf and check that saw teeth are not engaged into the material.** If the blade is binding, it may walk up or kickback from the workpiece when the saw is restarted.
- d) **Support large panels to minimize the risk of blade pinching and kickback.** Large panels tend to sag under their own weight. Supports must be placed under the panel on both sides, near the line of cut and near the edge of the panel.
- e) **Do not use dull or damaged blades.** Unsharpened or improperly set blades produce a narrow kerf causing excessive friction, blade binding and kickback.
- f) **Blade depth and bevel adjusting locking levers must be tight and secure before making a cut.** If blade adjustment shifts while cutting, it may cause binding and kickback.
- g) **Use extra caution when making a "pocket cut" into existing walls or other blind areas.** The protruding blade may cut objects that can cause kickback.
- h) **Before each cut, check if the lower guard is positioned**

properly. Do not use the saw when the lower guard does not move freely and does not close immediately. Never fix or leave the lower guard in the open position. If the saw is dropped accidentally, the lower guard may become bent. Lift the lower guard with the pulling grip and make sure that it moves freely and does not touch the saw or any other part for each angle and cutting depth setting.

- i) **Check the operation of the lower guard spring. If the guard or the spring does not work correctly, they should be repaired prior to use.** The lower guard may move slowly due to damaged parts, sticky deposits, or accumulation of refuse.
- j) **Manual retraction of the lower guard is allowed only during special cuts, such as "pocket cuts" and "complex cuts."** Lift the lower guard using the pulling grip; as soon as the saw blade enters the material, the lower guard should become released. For all other types of cuts, the lower guard must work on its own.
- k) **Always look to see if the lower guard covers the saw before you place the saw on a table or on the floor.** Unprotected saw blade will cause the saw to move backwards cutting any item on its way. Keep in mind how much time it takes until the saw blade stops after the tool is switched off.



REMARK! Use dust collector equipment!

If the manufacturer has provided dust suction and collection equipment, check if it is connected and properly mounted.



WARNING!

Use protective equipment. Always use dust masks.

Contact with or inhalation of dust produced when using the circular saw may cause hazard to the health of the user and potentially to other persons located in the work area. To protect yourself from dust and vapors, always wear a dust mask and assure the safety of other persons present in the work area.



REMARK! Do not use circular saws with dimensions other than those given in this document.

Use only blades with proper diameter and thickness and suitable for the rotational speed of the specific saw.

- Do not use blades made from high-alloy high-speed steel. Saw blades made from this material break easily.
- Do not use blades for metal or stone.
- Install only sharp blades in a perfect condition; immediately replace cracked or bent disks with new ones.
- Check if the blade is firmly fixed and turns in the proper direction.



WARNING!

Use protective equipment. Always wear protective goggles.



WARNING!

Use protective equipment. Always use hearing protection.




WARNING! Circular saw – additional safety warnings

Personal safety:

- 1. Do not insert the power cord (26) plug to the mains socket until you

make sure that:

- a) power source parameters meet the saw parameters as shown on its data plate,
 - b) the tool is equipped with a cutting blade (disk) for wood and wood-like materials with an admissible rotational speed of at least 4700 rpm,
 - c) cutting disk (14) is properly and securely fixed, and the directions of arrows (19) on the disk and the guard are the same,
 - d) cutting disk (14) is in good technical condition showing no traces of damage, cracks or nicks.
 - e) saw switch (22) is in off position, the safety pushbutton (23) and the spindle lock lever (20) are released,
 - f) the hex key (27) for fixing the disk (blade) screw of disk (15) has been removed from its seat and is out of saw operation field,
 - g) all locks are securely tightened: - cutting depth lock (25), - cutting angle adjustment lock (9), - parallel cutting guide lock (10),
 - h) moving guard for cutting disk (18) is fully operational and remains in closed position.
2. When using an extension cable make sure that the extension cable parameters and cable cross-sections meet the tool requirements. Extension cables used should be as short as possible. The extension cable should be fully uncoiled.
 3. Before switching on the saw make sure that there are no nails, screws, bolts and/or other foreign objects in the material machined.
 4. Never block the guard of cutting disk (18).
 5. When starting and operating the saw hold it always by both handles (3) and (7).
 6. The tool can be turned on only when its blade (14) does not contact the object machined.
 7. Do not start cutting until the saw disk has reached its maximum rotational speed.
 8. Cutting is allowed only when the saw foot (11) rests securely on the material.
 9. Never apply exceeding force to the saw while cutting. It may result in an accident leading to injury or death and/or damage to the overloaded motor. Damage to the motor (burned winding) resulting from machine overload is excluded from warranty cover!
 10. The saw cannot be used for curved-lined cutting, edge machining and milling as it may result in an accident leading to injury or death and/or damage to the machine excluded from warranty cover.
 11. After turning the saw off it is not allowed to brake the disk by pressing it to the material.
 12. Check the condition of screws fixing the saw body on a regular basis. Retighten if necessary (screwdriver Ph3).
 13.  The circular saw is provided with a laser pointer, with class 2 laser according to the EN 60825 standard. Never look at the laser beam and point the beam at people's or animals' eyes. Looking at a beam emitted by a class 2 laser is not hazardous, provided that it lasts no more than 0,25 s. The eye closing reflex is generally a sufficient protection. Use of optical devices, such as glasses or binoculars does not increase the risk of eye injury.

INTENDED USE:

This hand-held circular saw is a tool used to cut wood, plywood,

chipboard and other wood-like materials.

It cannot be used to cut, grind metal or stone as well it is not allowed to use blades for grinding and cutting stone or metal.

This circular saw is suitable for straight-line cutting only. It is not suitable for curved-line cutting.

Observe the safety instructions, as well as the assembly instruction and the use guidelines given in this document. The service and maintenance staff must become familiar with the guidelines and be advised of the potential hazards. Also, the applicable occupational health and safety regulations concerning accident prevention must be strictly observed.

REMARK: Do not expose electric tools to rain or moisture.

Any use of the saw that is not in observance with the above-mentioned purpose is forbidden, leads to the loss of warranty, and relieves the manufacturer from responsibility for the resulting damage.

Any modifications of the tool by the user relieve the manufacturer from responsibility for any damage and injuries to the user and the surroundings.

Proper use of the saw also pertains to maintenance, storage, transport, and repairs.

The saw must only be repaired in service points designated by the manufacturer. Electric tools supplied from the mains must be repaired by properly authorized persons.

Proper use cannot guarantee that no residual risk will occur. Due to the design of the machine, the following risks may occur:

- the operator may touch the saw blade in the unguarded part of the saw;
- the operator may touch the saw blade while it is moving (which will result in a cut);
- the workpiece or its part may be thrown away by the saw;
- the blade may crack/break;
- the operator may suffer a hearing injury due to the failure to use the required hearing protection equipment;
- the operator may inhale the harmful wood dust while performing work in closed premises.

The tool is not intended for professional or industrial use. The guarantee will become void if the tool is used in professional workshops, industrial plants, or for similar activities.

COMPONENTS:

- Circular saw – 1 pc
- Rip fence – 1 pc
- Blade, Ø 185 x Ø 20 x 2.5 x 24T – 1 pc
- Hex key - 1 pc
- Batteries for the laser pointer (1.5V, AAA) – 2 pc
- Carbon brush – 2 pc
- Instruction manual - 1 pc
- Warranty card - 1 pc

MACHINE STRUCTURE:

The circular saw is a tool in protection Class II (double insulation) and it is powered with a single-phase motor.

Its structure is shown in the pictures on the pages 2-3:

Fig. A: 1. Saw dust rejection

2. Saw blade guard grip

3. Grip

4. Laser pointer ON/OFF switch

5. Laser pointer battery cover

6. Cover securing screw

7. Ancillary grip

8. Bevel angle scale

9. Cut angle adjustment screw

10. Rip fence adjustment screw

11. Saw foot

12. Laser beam outlet hole

13. Rip fence

14. Blade

15. Blade fixing screw

16. Washer

17. Outer clamping flange

18. Saw blade moving guard:

- open position (fig. A),

- closed position (fig. B)

19. Arrows showing the blade rotation direction

Fig. B: 20. Spindle lock lever

21. Marks indicating the line of cut with the foot set at 0° and 45° angle

22. Switch

23. Safety pushbutton

24. Cut depth scale

25. Cut depth adjustment screw

26. Power cord

27. Hex key

Fig. C: 28. Inner clamping flange

Fig. I: 29. Batteries

This is a multi-purpose manually guided tool with compact, ergonomic design. It allows users to adjust the cutting depth and adapt the tool to material thickness as well as to cut at a specified angle to the material surface (cutting plane is non-perpendicular to the material surface).

The tool provides safety thanks to the construction of self-adjusting cutting disk guard that automatically retracts during cutting process.

The machine structure provides users also with easy-to-use buttons, locks and handles that are responsible for specific functions and maintenance/operation features.

TECHNICAL DATA:

Rated voltage	230-240 V	
Rated frequency	50 Hz	
Power consumption	1500 W	
Rotational speed max.	4700 rpm	
Saw blade diameter, max.	185 mm	
Saw blade inner diameter	20 mm	
Saw blade rotational speed, max	≥ 4700 rpm	
Cutting depth (0° /45°), max.	65 mm/45 mm	
Cutting angle	0° ~ 45°	
Laser pointer:	laser class	2
	laser wavelength	650 nm
	laser power	≤ 1mW
Protection class	II/Ⓜ	
Weight	4,3 kg	
Power cord length	3 m	

Sound pressure level (LpA), (K=±3dB(A))	94 dB(A)
Sound power level (LwA), (K=±3dB(A))	105 dB(A)
Vibration level acc. to: EN 60745 (Measurement tolerance K=1,5 m/s ²)	4,26 m/s ²

The vibration level value given refers to basic application of the tool. If the tool is used for other applications or with other tools, or if it is not maintained properly, the vibration level may differ from the values given. The above-mentioned causes may lead to higher exposure to vibrations during the whole work time.

One must implement additional safety measures to protect the operators from exposure to vibrations, such as maintenance of the electric tool and work tools, assurance of proper hand temperature, or determination of the sequence of work operations.

The declared total vibrations and declared noise emissions were measured in accordance with a standard test method and may be used for tool comparison.

The declared total vibrations and noise emissions can be used in preliminary exposure assessment.

Warnings:

The vibrations and noise emissions during the actual use of the power tool may differ from the declared values depending on how the tool is used and on the type of the workpiece in particular.

Determine safeguards to protect the operator. They should be based on the estimated exposure under actual operational conditions (taking into account all parts of the operating cycle such as when the tool is switched off or idle except the start time).

HOW TO OPERATE THE TOOL:

- Before you start working check the cutting disk condition to avoid overload and improper tool operation.
- First mark the cutting line on the material.
- The tool is provided with a safety pushbutton (23) which prevents accidental activation of the circular saw. In order to switch on the saw, one must first press the safety pushbutton and then press the saw ON/OFF button (22) and hold it in the depressed position. The operator may start working with the saw only after it reaches the maximum rotational speed.
- Put the saw foot (11) onto the material in such a way to hold it tight against the material surface, and to place the mark showing cutting line (21) under the foot.
- When operating the saw (straight-line plane forward motion) as the disk sinks into material, the guard (18) gradually exposes the disk allowing for cutting material. The guard returning spring brings back the guard to its original position as the disk withdraws from the material.
- The saw should be moved exactly along a straight line. Failure to observe this recommendation may result in raising the resistance to machining and disk blockage. It may result in burning motor windings, losing warranty rights and even in a serious accident.
- To stop cutting with the saw:
 - withdraw the rotating disk from the material being cut,
 - release the switch button (22),
 - wait until the saw disk stops rotating,
 - put the tool aside to a safe place.

- Then after taking steps shown in section 7:
 - disconnect the power cord from the mains,
 - clean the saw to remove sawdust and dust,
 - protect the tool against unauthorized access (e.g. children).

REPLACING THE SAW BLADE:



REMARK: Before replacing the saw blade, disconnect the tool from the power supply and wait until the blade stops rotating. When installing the disc, use protective gloves. You may suffer cuts when touching the disk.

Use only saw blades with parameters corresponding to the nominal data given in this document.

Never use grinding discs as work tools.

Figure C on page 3 shows the elements fixing the blade (14) on the tool's shaft:

- Hex socket screw
- Screw washer
- Outer clamping flange
- Inner clamping flange

In order to replace the blade:

- Press and hold the spindle lock lever (20). Unscrew the fixing screw (15) with the hex key (27) (fig. D, page 3).

REMARK: You may press the spindle lock lever (20) only after the spindle has stopped. Otherwise, the tool may become damaged.

- Using the guard grip (2), move the guard backwards and hold it. Take off the outer clamping flange and the blade (14) from the tool shaft (fig. E, page 3).

REMARK: Do not take the outer clamping flange (28); if the flange falls out, put it back in with the flat surface to the outside of the machine body.

Install a new blade taking the same steps in reverse direction. When installing a cutting disk remember to observe the rotation directions shown by the arrows.

The direction of the arrow on the disk should be the same as the direction of the arrow placed on the cutting disk.

SETTING THE CUTTING DEPTH (fig. F):

Carrying out shallow cuts at depths lower than the thickness of material being machined is possible when setting the cutting depth by lowering the foot (11) to a selected position.

Disconnect the saw from the mains. Loosen the cutting depth adjustment screw (25). Pull back the foot to a selected cutting depth position. Retighten the screw (25).

SETTING THE CUTTING INCLINATION ANGLE (fig. G):

The saw allows users to cut at an angle to the material surface within the range 0° ~ 45°. To enable this it is necessary to set the saw foot (11) in a selected position.

To this disconnect the saw from the mains. Loosen the foot fixing screw (9). Move the saw foot by a selected angle. Lock the setting by tightening the screw.

USING THE PARALLEL CUTTING GUIDE (fig. H):

The guide (13) allows users to cut parallelly to the edge of the material being cut.

Disconnect the saw from the mains. Insert the guide into slots provided at the front of the foot. Set a selected cutting width. Lock the setting with

screw (10). Start cutting.

LASER POINTER:

The laser pointer shows the line of the cut. Mark the required cut line on the surface of the workpiece and guide the laser line along the marked line during the cutting operation.

The laser is supplied from two 1.5V AAA batteries. Unscrew the fastening screw (6) and remove the laser pointer cover (5). Insert the batteries to the slots according to their polarity (+) and (-) (Fig. 1). Close the cover and screw down.

To enable/disable the laser pointer, press the on/off switch (4) (Fig. A).

Before you start the cutting operation, make sure the line of the cut is shown properly. The laser pointer may change its position due to vibrations present during intensive use of the tool.

REMARK: After the cutting operation is completed, remember to switch off the laser.

MAINTENANCE, STORAGE AND TRANSPORT:

The tool does not require any special maintenance. Store it away from children, keep clean and protect against humidity and dust. Storage conditions should exclude any mechanical damage or harmful weather factors.

After completing work it is recommended to clean the saw to remove sawdust and dust. It can be done using the guard handle of the cutting disk (2) that allows us to expose the disk (13).



NOTE: the handle can be used only during maintenance or service procedures after disconnecting the tool from the mains.

After completing work in intensely dusty environments it is recommended to use compressed air to clean venting holes – it will protect bearings against premature wear and remove dust obstructing the air-cooling intake.

Visible dirt in the outlet orifice of the laser beam (12) should be gently removed with use of sticks with cotton buds soaked with liquids for glass cleaning.

The saw should be transported and stored in a package that protects it against humidity, dust and small particle penetration – special attention should be paid to provide proper protection to venting holes. Small particles (objects) penetrating into the housing can damage the motor. In case of technical problems please contact an authorized service center.

ENVIRONMENTAL PROTECTION:



NOTE: The symbol nearby denotes that old equipment must never be disposed together with other wastes (with the penalty of a fine). Hazardous components of electronic equipment may adversely affect the natural environment and human health.

Each household may contribute to recovery and reuse (recycling) of old machinery and equipment. Both in Poland and Europe a system for recovery of used equipment either exists or is being developed. The system obliges all organizations that sell such equipment to collect back the used machinery and appliances. Moreover, general purpose collecting points for such equipment are also available

MANUFACTURER:

PROFIX Sp. z o.o., ul. Marywilska 34, 03-228 Warszawa, POLAND

This appliance is in conformity with national and European standards as well as with general safety guidelines.

NOTE: Any repairs are allowed to be carried out exclusively by qualified staff with use of original spare parts.

PICTOGRAMS:

Explanation of the icons located on the nominal plate and the information tags:



– **WARNING! Read this instruction before switching on the power supply and starting the work.**



– **Always wear appropriate eye protection.**



– **Always wear the anti-dust mask.**



– **Use appropriate hearing protection.**



The policy of the PROFIX company consists in permanent improvements of the offered products and therefore the company reserves the right to make amendments to the product specification without a prior notice. The images included into the operation manual are only of the exemplary nature and may slightly differ from actual appearance of the device purchased.


This instruction manual is protected by copyright. Copying it without the written consent of PROFIX Co. Ltd. is prohibited.



PRZED PRZYSTĄPIENIEM DO UŻYTKOWANIA NALEŻY ZAPOZNAĆ SIĘ Z NINIEJSZĄ INSTRUKCJĄ.

Zachowaj instrukcję do ewentualnego przyszłego wykorzystania.



OSTRZEŻENIE! Należy przeczytać wszystkie ostrzeżenia dotyczące bezpieczeństwa użytkowania oznaczone symbolem  i wszystkie wskazówki dotyczące bezpieczeństwa użytkowania.

Nieprzestrzeganie podanych niżej ostrzeżeń dotyczących bezpieczeństwa i wskazówek dotyczących bezpieczeństwa może być przyczyną porażenia prądem elektrycznym, pożaru i/lub poważnych obrażeń.

Zachowaj wszystkie ostrzeżenia i wskazówki dotyczące bezpieczeństwa, aby móc skorzystać z nich w przyszłości.

W podanych niżej ostrzeżeniach wyrażenie „elektronarzędzie” oznacza elektronarzędzie zasilane z sieci (z przewodem zasilającym) lub elektronarzędzie zasilane z akumulatora (bezprowodowe).



OSTRZEŻENIE! Ogólne ostrzeżenia dotyczące bezpieczeństwa użytkowania narzędzia.

Bezpieczeństwo w miejscu pracy:

- W miejscu pracy należy utrzymywać porządek i dobre oświetlenie. *Nieporządek i złe oświetlenie przyczynia się do wypadków.*
- Należy unikać używania elektronarzędzia w środowiskach wybuchowych, tworzonych przez łatwo palne ciecze, gazy lub pyły. *Elektronarzędzie wytwarza iskry, które mogą zapalić pył lub opary.*
- Należy nie dopuszczać dzieci i obserwatorów do miejsc, w których używa się elektronarzędzi. *Rozszerzenie uwagi może spowodować utratę kontroli nad elektronarzędziem.*



OSTRZEŻENIE! Ogólne ostrzeżenia dotyczące bezpieczeństwa użytkowania narzędzia.

Bezpieczeństwo elektryczne:

- Wtyczki elektronarzędzi muszą pasować do gniazdek. Nigdy w żaden sposób nie należy przerabiać wtyczki. Nie należy używać żadnych przedłużaczy w przypadku elektronarzędzi mających przewód z żyłą uziemienia ochronnego. *Brak przeróbek we wtyczkach i gniazdkach wtyczkowych zmniejsza ryzyko porażenia prądem elektrycznym.*
- Należy unikać dotykania powierzchni uziemionych lub zwartych z masą, takich jak rury, ogrzewacze, grzejniki centralnego ogrzewania i chłodziarki. *W przypadku dotknięcia części uziemionych lub zwartych z masą, wzrasta ryzyko porażenia prądem elektrycznym.*
- Należy unikać narażania elektronarzędzi na działanie deszczu lub warunków wilgotnych. *W przypadku przedostania się do elektronarzędzia wody, wzrasta ryzyko porażenia prądem elektrycznym.*
- Należy nie nadwierać przewodów przyłączeniowych. Nigdy nie należy używać przewodu przyłączeniowego do przenoszenia, ciągnięcia elektronarzędzia lub wyciągania wtyczki z gniazdka. Należy trzymać przewód przyłączeniowy z daleka od źródeł ciepła, olejów, ostrych krawędzi lub ruchomych części. *Uszkodzone lub zaplątane przewody przyłączeniowe zwiększają ryzyko porażenia prądem elektrycznym.*
- W przypadku, gdy elektronarzędzie używa się na wolnym powietrzu, przewody przyłączeniowe należy przedłużyć

przedłużaczami przeznaczonymi do pracy na wolnym powietrzu. *Używanie przedłużacza przeznaczonego do pracy na wolnym powietrzu zmniejsza ryzyko porażenia prądem elektrycznym.*

- Zaleca się podłączenie urządzenia do sieci elektrycznej wyposażonej w wyłącznik różnicowo-prądowy (RCD) o prądzie wyłączenia 30mA lub mniejszym.
- W przypadku, gdy używanie elektronarzędzia w środowisku wilgotnym jest nieuniknione, jako ochronę przed napięciem zasilania należy stosować urządzenie różnicowoprądowe (RCD). *Zastosowanie RCD zmniejsza ryzyko porażenia prądem elektrycznym.*



OSTRZEŻENIE! Ogólne ostrzeżenia dotyczące bezpieczeństwa użytkowania narzędzia.

Bezpieczeństwo osobiste:

- Niniejszy sprzęt nie jest przeznaczony do użytkowania przez osoby (w tym dzieci) o ograniczonej zdolności fizycznej, czuciowej lub psychicznej, lub osoby nie mające doświadczenia lub znajomości sprzętu, chyba że odbywa się to pod nadzorem lub zgodnie z instrukcją użytkownika sprzętu, przekazanej przez osoby odpowiedzialne za ich bezpieczeństwo.
- Należy być przewidującym, obserwować co się robi i zachowywać rozsądek podczas używania elektronarzędzia. *Nie należy używać elektronarzędzia, gdy jest się zmęczonym lub pod wpływem narkotyków, alkoholu lub leków. Chwila nieuwagi podczas pracy elektronarzędziem może spowodować poważne osobiste obrażenia.*
- Należy stosować wyposażenie ochronne. Należy zawsze zakładać okulary ochronne. *Używanie w odpowiednich warunkach wyposażenia ochronnego, takiego jak maska przeciwpyłowa, obuwie antypoślizgowe, kask lub ochronniki słuchu, zmniejsza osobiste obrażenia.*
- Należy unikać niezamierzonego rozruchu. *Przed przyłączeniem do źródła zasilania i/lub przed podłączeniem akumulatora oraz zanim podniesie się lub przeniesie się narzędzie należy upewnić się, że wyłącznik elektronarzędzia jest w pozycji wyłączony. Przenoszenie elektronarzędzia z palcem na wyłączniku lub przyłączenie elektronarzędzia do sieci zasilającej przy założonym wyłączniku może być przyczyną wypadku.*
- Przed uruchomieniem elektronarzędzia należy usunąć wszystkie klucze. *Pozostawienie klucza w obracającej się części elektronarzędzia może spowodować osobiste obrażenia.*
- Należy wychylać się z daleka. *Należy cały czas stać pewnie i zachować równowagę. Umożliwi to lepszą kontrolę nad elektronarzędziem w sytuacjach nieprzewidywalnych.*
- Należy odpowiednio się ubierać. *Należy nosić luźnego ubrania ani biżuterii. Należy utrzymywać swoje włosy, ubranie i rękawiczki z dala od części ruchomych. Luźne ubrania, biżuteria lub długie włosy mogą zostać zacepione przez części ruchome.*
- Jeżeli urządzenia są przystosowane do przyłączenia zewnętrznego odciążu pyłu i pochłaniacza pyłu, należy upewnić się, że są one przyłączone i prawidłowo użyte. *Użycie pochłaniacza pyłu może zredukować zagrożenia zależne od zapylenia.*
- Nie pozwól, aby umiejętności uzyskane dzięki częstemu korzystaniu z elektronarzędzia pozwoliły Ci poczuć się pewnym siebie i zignorować zasady bezpieczeństwa. *Nieostrożne działanie*

może spowodować poważne obrażenia w ułamku sekundy.



OSTRZEŻENIE! Ogólne ostrzeżenia dotyczące bezpieczeństwa użytkowania narzędzia.

Użytkowanie i troska o elektronarzędzie:

- a) Nie należy elektronarzędzia przeciążać. Należy stosować elektronarzędzie o mocy odpowiedniej do wykonywanej pracy. Właściwe elektronarzędzie umożliwi pracę lepszą i bezpieczniejszą przy obciążeniu, na jakie zostało zaprojektowane.
- b) Nie należy używać elektronarzędzia, jeżeli łącznik go nie załącza i nie wyłącza. Każde elektronarzędzie, którego nie można załączać lub wyłączać łącznikiem, jest niebezpieczne i musi zostać naprawione.
- c) Należy odłączać wtyczkę ze źródła zasilania elektronarzędzia i/lub odłączyć akumulator przed wykonaniem każdej nastawy, wymiany części lub magazynowaniem. Takie zapobiegawcze środki bezpieczeństwa redukują ryzyko przypadkowego rozruchu elektronarzędzia.
- d) Nieużywane elektronarzędzie należy przechowywać poza zasięgiem dzieci i nie należy pozwalać osobom niezaznajomionym z elektronarzędziem lub niniejszą instrukcją na używanie elektronarzędzia. Elektronarzędzia są niebezpieczne w rękach nieprzeszkolonych użytkowników.
- e) Elektronarzędzia należy konserwować. Należy sprawdzać współosiowość lub zakleszczenie się części ruchomych, pęknięcia części i wszystkie inne czynniki, które mogą mieć wpływ na pracę elektronarzędzia. Jeżeli stwierdzi się uszkodzenia, należy elektronarzędzie przed użyciem naprawić. Przyczyną wielu wypadków jest niefachowy sposób konserwacji elektronarzędzia.
- f) Narzędzia tnące powinny być ostre i czyste. Odpowiednie utrzymywanie ostrych krawędzi narzędzi tnących zmniejsza prawdopodobieństwo zakleszczenia i ułatwia obsługę.
- g) Elektronarzędzie, wyposażenie, narzędzia robocze itp. należy stosować zgodnie z niniejszą instrukcją, biorąc pod uwagę warunki pracy i rodzaj pracy do wykonania. Używanie elektronarzędzia w sposób, do jakiego nie jest przewidziane, może spowodować niebezpieczne sytuacje.
- h) W niskich temperaturach, lub po dłuższym okresie nie użytkowania, zalecane jest włączenie elektronarzędzia bez obciążenia na okres kilku minut w celu właściwego rozprowadzenia smaru w mechanizmie napędu.
- i) Do czyszczenia elektronarzędzi stosować miękką, wilgotną (nie mokra) szmatkę i mydło. Nie stosować benzyny, rozpuszczalników i innych środków mogących uszkodzić urządzenie.
- j) Elektronarzędzie należy przechowywać/transportować po upewnieniu się, że wszystkie jego elementy ruchome są zablokowane i zabezpieczone przed odblokowaniem za pomocą oryginalnych elementów do tego przeznaczonych.
- k) Elektronarzędzie należy przechowywać w miejscu suchym, zabezpieczone przed kurzem i wnikaniem wilgoci.
- l) Transportowanie elektronarzędzia powinno odbywać się w opakowaniu oryginalnym, zabezpieczającym przed uszkodzeniami mechanicznymi.

- m) Uchwyty i powierzchnie chwytne należy utrzymywać czyste i wolne od oleju i smaru. Śliskie uchwyty i powierzchnie chwytne pozwalają na bezpieczne trzymanie i kontrolę narzędzia w nieoczekiwanych sytuacjach.



OSTRZEŻENIE! Ogólne ostrzeżenia dotyczące bezpieczeństwa użytkowania narzędzia.

Naprawa:

- a) Naprawy gwarancyjne i pogwarancyjne swoich elektronarzędzi wykonuje Serwis PROFIX, co gwarantuje najwyższą jakość napraw oraz stosowanie oryginalnych części zamiennych.
- b) Jeżeli przewód zasilający nieodłączalnym ulegnie uszkodzeniu, to powinien on być wymieniony u wytwórcy lub w specjalistycznym zakładzie naprawczym albo przez wykwalifikowaną osobę w celu uniknięcia zagrożenia.



OSTRZEŻENIE!

PILARKA TARCZOWA, szczególnie wskazówki dotyczące bezpiecznego użytkowania urządzenia:

- a) Trzymać ręce w oddali od obszaru cięcia i piły. Trzymać drugą rękę na rękojeści pomocniczej lub na obudowie silnika. Jeśli obiema rękami trzyma się pilarkę, to nie mogą być one narażone na zranienie piłą.
- b) Nie sięgać ręką pod spód przedmiotu obrabianego. Osłona nie może ochronić Cię przed piłą poniżej przedmiotu obrabianego.
- c) Nastawić głębokość cięcia odpowiednią do grubości przedmiotu obrabianego. Zaleca się, aby tarcza wystawała poniżej ciętego materiału mniej niż na wysokość zęba.
- d) Nigdy nie trzymać przedmiotu przecinanego w rękach lub na nodze. Zamocować przedmiot obrabiany do stabilnej podstawy. Dobre zamocowanie przedmiotu obrabianego jest ważne, aby uniknąć niebezpieczeństwa kontaktu z ciałem, zakleszczenia piły lub utraty kontroli cięcia.
- e) Trzymać pilarkę za izolowane powierzchnie przeznaczone do tego celu podczas pracy, przy której piła może mieć styczność z przewodami pod napięciem lub z jej własnym przewodem zasilającym. Zetknięcie się z „przewodami pod napięciem” może także spowodować zranienie się „pod napięciem” metalowych części elektronarzędzia powodując porażenie operatora.
- f) Podczas cięcia wzdłużnego zawsze używać prowadnicy do cięcia wzdłużnego lub prowadnicy do krawędzi. Polesza to dokładność cięcia i zmniejsza możliwość zakleszczenia piły.
- g) Zawsze używać pił o prawidłowych wymiarach i kształcie otworów osadzących (np. kształt rombu lub okrągły). Piły, które nie pasują do uchwytu mocującego mogą pracować mimośrodowo, powodując utratę kontroli pracy.
- h) Nigdy nie stosować do mocowania piły uszkodzonych lub niewłaściwych podkładek lub śrub. Podkładki i śruby mocujące piłę zostały specjalnie zaprojektowane dla pilarki, aby zapewnić optymalne funkcjonowanie i bezpieczeństwo użytkownika.

Przyczyny odrzutu i zapobieganie odrzutowi:

— odrzut tylny to nagłe podniesienie i wycofanie pilarki w kierunku do operatora w linii cięcia, spowodowane niekontrolowanym cięciem przez

zahaczoną, zaciśniętą lub niewłaściwie prowadzoną tarczę piły;

– kiedy tarcza piły jest zahaczona lub zaciśnięta w szczelinie, tarcza zatrzymuje się i reakcja silnika powoduje gwałtowny ruch pilarki do tyłu, w kierunku do operatora;

– jeśli piła jest skręcona lub źle ustawiona w przecinanym elemencie, zęby piły po wyjściu z materiału mogą uderzyć w górną powierzchnię ciętego materiału powodując podniesienie piły i odrzut w kierunku operatora.

Odrzut tylny jest skutkiem niewłaściwego używania pilarki lub nieprawidłowych procedur lub warunków eksploatacji i można go uniknąć przyjmując stosowne środki ostrożności podane poniżej.

- a) **Trzymać pilarkę** obydwo rękami mocno, z ramionami ustawionymi tak, aby wytrzymać się odrzutu tylnego. **Przyjąć pozycję ciała z jednej strony pilarki, ale nie w linii cięcia.** Odrzut tylny może spowodować gwałtowny ruch pilarki do tyłu, ale siła odrzutu tylnego może być kontrolowana przez operatora, jeśli przedsięwzięto odpowiednie środki ostrożności.
- b) **Kiedy piła tarczowa zaczyna się lub kiedy przerywa cięcie z jakiegos powodu należy zwolnić przycisk łącznika i trzymać pilarkę nieruchomo w materiale dopóki tarcza piły nie zatrzyma się całkowicie. Nigdy nie próbować usunąć pilarki z materiału ciętego, ani nie ciągnąć pilarki do tyłu, dopóki tarcza piły porusza się lub może spowodować odrzut tylny.** Zbadać i podejmować czynności korygujące, w celu eliminacji przyczyny zacinania się piły.
- c) **W przypadku ponownego uruchomieniu pilarki w elemencie obrabianym wyśrodkować tarczę piły w rzemie i sprawdzić, czy zęby piły nie są zacementowane w materiale.** Jeśli tarcza piły zaczyna się, kiedy pilarka jest ponownie uruchamiana, może się ona wysunąć lub spowodować odrzut tylny w stosunku do elementu obrabianego.
- d) **Podtrzymywać duże płyty, aby zminimalizować ryzyko zaciśnięcia i odrzutu tylnego tarczy.** Duże płyty mają tendencję do uginania się pod ich własnym ciężarem. Podpory powinny być umieszczone pod płytą po obydwu stronach, w pobliżu linii cięcia i w pobliżu krawędzi płyty.
- e) **Nie używać tępych lub uszkodzonych pił.** Nieostre lub niewłaściwie ustawione zęby piły tworzą wąski rżaz powodujący nadmierne tarcie, zacięcie piły i odrzut tylny.
- f) **Nastawiać pewnie zaciski głębokości cięcia i kąta pochylenia piły tarczowej, przed wykonywaniem cięcia.** Jeżeli nastawy pilarki zmieniają się podczas cięcia może to spowodować zakleszczenie i odrzut tylny.
- g) **Szczególnie uważać podczas wykonywania «cięcia wgłębnego» do istniejących ścianek lub innych ślepych przestrzeni.** Wystająca piła może ciąć inne przedmioty, powodując odrzut tylny.
- h) **Sprawdzać przed każdym użyciem osłonę dolną, czy jest prawidłowo nasunięta. Nie używać pilarki, jeśli osłona dolna nie porusza się swobodnie i nie zamyka się natychmiast. Nigdy nie przytwierdzać lub nie pozostawiać osłony dolnej w otwartym położeniu.** Jeśli pilarka zostanie przypadkowo upuszczona, osłona dolna może zostać zgięta. Podnosić osłonę dolną za pomocą uchwyty odciągającego i upewnić się czy porusza się ona swobodnie i nie dotyka piły lub innej części dla każdego nastawienia

kąta i głębokości cięcia.

- i) **Sprawdzać działanie sprężyny osłony dolnej. Jeśli osłona i sprężyna nie działają właściwie, powinny być naprawione przed użyciem.** Osłona dolna może działać powoli wskutek uszkodzonych części, lepkich osadów, lub nawarstwienia odpadów.
- j) **Dopuszcza się ręczne wycofanie osłony dolnej tylko przy specjalnych cięciach takich jak „cięcie wgłębne” i „cięcie złożone.”** Podnosić osłonę dolną za pomocą uchwyty odciągającego i skoro piła zagłębi się w materiał, osłona dolna powinna być zwolniona. W przypadku wszystkich innych cięć zaleca się, aby osłona dolna działała samoczynnie.
- k) **Zawsze obserwować, czy osłona dolna przykrywała piłę przed postawieniem pilarki na stole warsztatowym lub podłodze.** Niechroniony brzeg piły będzie powodował, że pilarka będzie cofała się od tyłu tnąc cokolwiek na swojej drodze. Zdawać sobie sprawę z czasu potrzebnego do zatrzymania się piły po wyłączeniu.



UWAGA! Używaj urządzeń do odsysania pyłu!

Jeżeli producent przewidział urządzenia do odsysania lub gromadzenia pyłu, sprawdź, czy są one przyłączone i prawidłowo zamontowane.



OSTRZEŻENIE!

Należy stosować wyposażenie ochronne. Należy zawsze zakładać maski przeciwpyłowe.

Kontakt lub wdychanie pyłów powstających podczas piłowania zagraża zdrowiu użytkownika i ewentualnie innych znajdujących się w pobliżu osób. Dla ochrony przed pyłami i parami zakładaj maskę przeciwpyłową i zadbaj też o bezpieczeństwo innych osób przebywających w miejscu pracy.



UWAGA! Nie używaj żadnych pił tarczowych o innych wymiarach, niż podane w tej instrukcji obsługi.

Stosuj wyłącznie tarcze tnące o odpowiedniej średnicy i grubości, przystosowane do prędkości obrotowej wrzeciona tej pilarki.

- **Nie używaj pił tarczowych z wysokostopowej stali szybko tnącej. Piły tego rodzaju łatwo się łamią.**
- **Nie używaj pił tarczowych do metalu lub kamienia.**
- **Zakładaj wyłącznie ostre tarcze tnące w idealnym stanie; pęknięte lub wygięte tarcze natychmiast wymieniaj na nowe.**
- **Sprawdź, czy piła tarczowa jest dobrze zamocowana i obraca się we właściwym kierunku.**



OSTRZEŻENIE!

Należy stosować wyposażenie ochronne. Należy zawsze zakładać okulary ochronne.



OSTRZEŻENIE!


Należy stosować wyposażenie ochronne. Należy zawsze zakładać ochronniki słuchu.



OSTRZEŻENIE! Ręczna pilarka tarczowa, dodatkowe ostrzeżenia dotyczące bezpieczeństwa –

Bezpieczeństwo osobiste:

1. Nie włączaj przewodu zasilającego (26) do źródła prądu dopóki nie upewnisz się, że:
 - a) źródło zasilania ma parametry odpowiadające parametrom pilarki podanym na tabliczce znamionowej;

- b) zamocowana jest tarcza do drewna i materiałów drewnopochodnych o dopuszczalnej, max. prędkości obrotowej równej lub większej niż 4700 obr/min;
 - c) tarcza tnąca (14) jest poprawnie i pewnie zamocowana, w tym, że zachodzi zgodność kierunku strzałek (19) na tarczy tnącej i obudowie osłaniającej;
 - d) tarcza tnąca (14) jest ostra, w dobrym stanie technicznym, bez jakichkolwiek uszkodzeń, pęknięć, uszczerbków;
 - e) włącznik pilarki (22) jest w pozycji wyłączenia, a przycisk bezpieczeństwa (23) i blokada wrzeczona (20) są zwolnione;
 - f) klucz imbusowy (27) do mocowania tarczy został usunięty z gniazda śruby mocowania tarczy (15) i znajduje się poza polem oddziaływania pilarki;
 - g) są mocno dokręcone śruby: - ustawienia głębokości cięcia (25), - ustawienia kąta cięcia (9) i ustawienia prowadnicy cięcia równoległego (10);
 - h) uchylna osłona tarczy tnącej (18) jest sprawna i pozostaje w położeniu zamkniętym.
2. W przypadku pracy z przedłużaczem należy upewnić się że parametry przedłużacza, przekroje przewodów, odpowiadają parametrom pilarki. Zaleca się stosowanie jak najkrótszych przedłużaczy. Przedłużacz powinien być całkowicie rozwinięty.
 3. Przed włączeniem pilarki upewnij się, że w materiale obrabianym nie ma gwoździ, śrub wkrętów i/lub innych ciał obcych.
 4. Nigdy nie blokuj osłony tarczy tnącej (18).
 5. Przy uruchamianiu pilarki i przy pracy pilarką należy trzymać ją za obydwa uchwyty (3) i (7).
 6. Włączaj maszynę tylko wtedy, gdy tarcza tnąca (14) nie dotyka elementu obrabianego.
 7. Cięcie rozpoczynać po osiągnięciu maksymalnych obrotów przez pilarkę.
 8. Cięcie przeprowadzać tylko wtedy, gdy płaszczyna stopy pilarki (11) pewnie opiera się na płaszczynie ciętego materiału.
 9. Nigdy nie wywieraj podczas cięcia nadmiernej siły na pilarkę. Może to spowodować wypadek skutkujący utratą zdrowia lub życia i/lub uszkodzeniem przeciążonego silnika. Uszkodzenie (spalenie uzwojeń) silnika spowodowane przeciążeniem maszyny nie podlega naprawom gwarancyjnym!
 10. Za pomocą pilarki nie wolno wykonywać cięć po łuku, obróbkę krawędziowych, frezowania, gdyż może to spowodować wypadek skutkujący utratą zdrowia lub życia i/lub uszkodzeniem maszyny, które nie podlega naprawie gwarancyjnej.
 11. Po wyłączeniu pilarki nigdy nie wolno hamować ruchu tarczy przez docisk do ciętego materiału.
 12. Należy regularnie kontrolować stan wkrętów mocujących korpus pilarki. W razie potrzeby dokręcić wkrętami Ph3.
 13.  Pilarka jest urządzeniem wyposażonym we wskaźnik laserowy, z laserem klasy 2 wg EN 60825. Nie wolno wpatrywać się w wiązkę światła laserowego i kierować promienia lasera bezpośrednio w oczy ludziom oraz zwierzętom. Spojrzenie w promień emitowany przez laser klasy 2 nie jest szkodliwe, jeżeli nie trwa dłużej niż 0,25 s. Odruch zamykania powiek na ogół stanowi wystarczającą ochronę. Użycie przyrządów optycznych, na przykład okularów, lornetek nie powoduje zwiększenia ryzyka uszkodzenia oczu.

UŻYCIE ZGODNE Z PRZEZNACZENIEM:

Pilarka tarczowa jest narzędziem służącym do cięcia drewna, sklejki, płyt wiórowych i tym podobnych materiałów drewnopochodnych.

Nie można jej stosować do cięcia, szlifowania, metalu bądź kamienia jak również nie można zakładać do niej tarcz przeznaczonych do cięcia, szlifowania, metalu bądź kamienia.

Pilarka jest przystosowana do cięcia prostoliniowego. Nie nadaje się do wykonywania cięć po łuku.

Do zgodnego z przeznaczeniem zastosowania należy również przestrzeganie wskazówek dotyczących bezpieczeństwa oraz instrukcji montażu i wskazówek eksploatacyjnych w instrukcji obsługi. Osoby, które obsługują i konserwują urządzenie, muszą się zapoznać z tymi wskazówkami oraz należy je pouczyć o możliwych niebezpieczeństwach.

Poza tym należy jak najdokładniej przestrzegać obowiązujących przepisów w sprawie zapobiegania wypadkom (BHP).

UWAGA: Nie należy narażać elektronarzędzi na działanie deszczu lub warunków wilgotnych.

Każde użycie pilarki niezgodne z przeznaczeniem podanym wyżej jest zabronione i powoduje utratę gwarancji oraz brak odpowiedzialności producenta za powstałe w wyniku tego szkody.

Jakiegokolwiek modyfikacje urządzenia dokonane przez użytkownika zwalniają producenta z odpowiedzialności za uszkodzenia i szkody wyrządzone użytkownikowi i otoczeniu.

Poprawne użytkowanie pilarki dotyczy także konserwacji, składowania, transportu i napraw.

Pilarka może być naprawiana wyłącznie w punktach serwisowych wyznaczonych przez producenta. Urządzenia zasilane z sieci powinny być naprawiane tylko przez osoby uprawnione.

Pomimo zgodnego z przeznaczeniem zastosowania nie można całkowicie wyeliminować określonych czynników ryzyka resztkowego. Ze względu na konstrukcję i budowę maszyny mogą wystąpić następujące zagrożenia:

- Dotknięcie tarczy pilarskiej w nieosłoniętym obrębie pilarki.
- Sięgnięcie do pracującej tarczy (rana cięta).
- Odrzucenie przedmiotu obrabianego lub części przedmiotu obrabianego.
- Pęknięcie/złamanie tarczy pilarskiej.
- Uszkodzenia słuchu w wypadku niestosowania koniecznej ochrony słuchu.
- Szkodliwe dla zdrowia emisje pyłów drzewnych w przypadku wykonywania prac w zamkniętych pomieszczeniach.

Urządzenie nie jest przeznaczone do zastosowania zawodowego, rzemieślniczego lub przemysłowego. Umowa gwarancyjna nie obowiązuje, gdy urządzenie było stosowane w zakładach rzemieślniczych, przemysłowych lub do podobnych działalności.

KOMPLETACJA:

- Pilarka tarczowa - 1 szt.
- Prowadnica cięcia równoległego - 1 szt.
- Tarcza tnąca Ø 185 x Ø 20 x 2,5 x 24T - 1 szt.
- Klucz imbusowy - 1 szt.
- Baterie do zasilania wskaźnika laserowego (1,5V «AAA») - 2 szt.
- Szczotki węglowe - 2 szt.

- Karta gwarancyjna - 1 szt.
- Instrukcja obsługi - 1 szt.

BUDOWA MASZYNY:

Pilarka tarczowa jest narzędziem w drugiej klasie ochronności (podwójna izolacja) i jest napędzana silnikiem jednofazowym.

Budowa pilarki przedstawiona jest na rysunkach na str. 2-3:

- Rys.A:**
1. Wyrzut trocin
 2. Uchwyt osłony tarczy tnącej
 3. Uchwyt
 4. Przycisk wł/wył wskaźnika laserowego
 5. Pokrywa komory baterii wskaźnika laserowego
 6. Wkręt mocujący pokrywę
 7. Uchwyt pomocniczy
 8. Skala kąta ukosu
 9. Śruba ustawienia kąta cięcia
 10. Śruba ustawienia prowadnicy cięcia równoległego
 11. Stopa pilarki
 12. Otwór wyjściowy wiązki laserowej
 13. Prowadnica cięcia równoległego
 14. Tarcza tnąca
 15. Śruba mocowania tarczy
 16. Podkładka
 17. Kołnierz dociskający zewnętrzny
 18. Uchylna osłona tarczy tnącej w pozycji:
 - otwartej (rys. A),
 - zamkniętej (rys. B)
 19. Strzałki kierunku obrotów tarczy tnącej
- Rys.B:**
20. Dźwignia blokady wrzeciona
 21. Znaczniki wskazujące linię cięcia przy pochyleniu stopy pod kątem 0° i 45°
 22. Włącznik
 23. Przycisk bezpieczeństwa
 24. Skala głębokości cięcia
 25. Śruba ustawienia głębokości cięcia
 26. Przewód zasilający
 27. Klucz imbusowy
- Rys.C:**
28. Kołnierz dociskający wewnętrzny

Rys.I: 29. Baterie

Jest to uniwersalna maszyna ręcznego prowadzenia o zwartej, ergonomicznej budowie. Zapewnia ona użytkownikowi możliwość regulowania głębokości nacinania i dostosowania maszyny do grubości ciętego materiału oraz wykonania cięcia ukośnego (płaszczyzna cięcia nieprostopadła do powierzchni ciętego materiału).

Maszyna jest bezpieczna ze względu na zastosowaną w niej konstrukcję samoregulującego się odsłaniania i zasłaniania tarczy tnącej podczas pracy.

Konstrukcja maszyny pozwala również użytkownikowi na łatwą obsługę przycisków, blokad i uchwytów, spełniających określone funkcje użytkowe i obsługowo-konserwacyjne.

DANE TECHNICZNE:

Napięcie znamionowe	230-240 V	
Częstotliwość znamionowa	50 Hz	
Moc znamionowa	1500 W	
Prędkość obrotowa max.	4700 /min	
Maks. średnica tarczy tnącej	185 mm	
Średnica otworu tarczy tnącej	20 mm	
Maks. prędkość obrotowa tarczy	≥ 4700 /min	
Głębokość cięcia (0°/45°), max.	65 mm/45 mm	
Kąt cięcia	0° ~ 45°	
Wskaźnik laserowy	klasa lasera	2
	długość fal lasera	650 nm
	moc lasera	≤ 1mW
Klasa sprzętu	II/□	
Masa	4,3 kg	
Długość przewodu zasilającego	3 m	
Poziom ciśnienia akustycznego (LpA), (K=±3dB(A))	94 dB(A)	
Poziom mocy akustycznej (LwA), (K=±3dB(A))	105 dB(A)	
Średnia wibracja wg EN 60745 (tolerancja pomiaru K=1,5 m/s ²)	ah=4,26 m/s ²	

Podany poziom drgań jest reprezentatywny dla podstawowych zastosowań elektronarzędzia. Jeżeli elektronarzędzie użyte zostanie do innych zastosowań lub z innymi narzędziami roboczymi, a także jeśli nie będzie wystarczająco konserwowane, poziom wibracji może odbiegać od podanego. Podane powyżej przyczyny mogą spowodować podwyższenie ekspozycji na wibracje podczas całego czasu pracy.

Należy wprowadzić dodatkowe środki bezpieczeństwa, mające na celu ochronę operatora przed skutkami ekspozycji na wibracje, np.: konserwacja elektronarzędzia i narzędzi roboczych, zabezpieczenie odpowiedniej temperatury rąk, ustalenie kolejności operacji roboczych.

Deklarowana całkowita wartość drgań i deklarowane wartości emisji hałasu zostały zmierzone zgodnie ze standardową metodą badawczą i mogą być wykorzystane do porównania jednego narzędzia z innym.

Deklarowane wartości całkowite drgań i deklarowane wartości emisji hałasu można wykorzystać we wstępnej ocenie narażenia.

Ostrzeżenia:

Wibracje i emisja hałasu podczas rzeczywistego użytkowania elektronarzędzia mogą różnić się od deklarowanych wartości w zależności od sposobu, w jaki narzędzia są używane, w szczególności od rodzaju obrabianego przedmiotu.

Należy określić środki bezpieczeństwa w celu ochrony operatora, które opierają się na oszacowaniu narażenia w rzeczywistym stanie użytkowania (biorąc pod uwagę wszystkie części cyklu operacyjnego, takie jak czasy, w których narzędzie jest wyłączone i kiedy pracuje na biegu jałowym za wyjątkiem czasu wyzwalania).

PRACA PILARKĄ:

1. Przed rozpoczęciem pracy należy sprawdzić stan tarczy tnącej, by uniknąć przeciążenia i nieprawidłowej pracy pilarki.
2. Pracę rozpoczynać od zaznaczenia linii cięcia na materiale.
3. Urządzenie posiada przycisk bezpieczeństwa (23), który

zapobiega przypadkowemu włączeniu pilarki. Aby uruchomić pilarkę należy najpierw wcisnąć przycisk bezpieczeństwa, a następnie wcisnąć włącznik pilarki (22) i trzymać go w tej pozycji. Pozwolić pilarcze na osiągnięcie maksymalnych obrotów.

4. Przyłożyć stopę pilarki (11) do ciętego materiału tak, by płaszczyzna stopy pewnie przylegała do płaszczyzny materiału ciętego, a znacznik wskazujący linię cięcia (21) znalazł się ponad tą linią.
5. Podczas pracy pilarką (posuwistego ruchu do przodu), w miarę zagłębiania się tarczy tnącej w materiał, uchylona osłona tarczy (18) będzie stopniowo odsłaniała tarczę, pozwalając na cięcie materiału. Sprężyna zwrotna osłony przywróci osłonę do położenia pierwotnego, gdy tarcza wysunie się z ciętego materiału.
6. Pilarkę należy prowadzić dokładnie po linii prostej. Nieprostoliniowe prowadzenie pilarki może prowadzić do wzrostu oporów skrawania i zablokowania tarczy. Skutkuje to możliwością spalania uzwojeń silnika i utratą praw gwarancyjnych, a nawet możliwością poważnego wypadku.
7. Zakończenie cięcia pilarką polega na:
 - a) całkowitym opuszczeniu ciętego materiału przez wirującą tarczę,
 - b) zwolnieniu przycisku włącznika pilarki (22),
 - c) odczekaniu, aż tarcza pilarki przestanie wirować,
 - d) odłożeniu maszyny w bezpiecznym miejscu.
8. Zakończenie pracy pilarką, po wykonaniu czynności jak w p. 7. polega na:
 - a) wyłączeniu przewodu zasilającego od źródła zasilania,
 - b) oczyszczeniu pilarki z trocin i pyłu,
 - c) zabezpieczeniu pilarki przed dostępem osób nieuprawnionych (np. dzieci).

WYMIANA TARCZY TNĄCEJ:



UWAGA: Przed rozpoczęciem wymiany tarczy tnącej należy odłączyć maszynę od źródła zasilania i poczekać, aż tarcza się zatrzyma. Podczas montażu tarczy używać rękawic ochronnych. Przy kontakcie z tarczą istnieje niebezpieczeństwo zranienia.

Stosować należy wyłącznie tarcze pilarskie, których parametry są zgodne z danymi znamionowymi podanymi w niniejszej instrukcji obsługi.

W żadnym wypadku nie wolno używać tarcz szlifierskich, jako narzędzi roboczych.

Rysunek C na str. 3 przedstawia elementy mocujące tarczę tnącą (14) na wale maszyny:

15. Śruba z gniazdem sześciokątnym
16. Podkładka śruby
17. Kołnierz dociskający zewnętrzny
28. Kołnierz dociskający wewnętrzny

W celu wymiany tarczy należy:

– Nacisnąć dźwignię blokady wrzeczona (20) i przytrzymać w tej pozycji. Wykręcić za pomocą klucza imbusowego (27) śrubę mocującą (15) (rys. D, str. 3).

UWAGA: Dźwignię blokady wrzeczona (20) wolno naciskać tylko przy nieruchomym wrzeczonie. W przeciwnym wypadku można uszkodzić elektronarzędzie.

– Za pomocą uchwyty osłony (2) odchylić osłonę do tyłu i przytrzymać. Zdjąć zewnętrzny kołnierz dociskający i tarczę tnącą (14) z wału maszyny

(rys. E, str. 3).

UWAGA: Nie zdejmuj kołnierza dociskającego wewnętrzny (28); jeżeli kołnierz wypadnie, to należy go włożyć z powrotem płaską powierzchnią w kierunku na zewnątrz od korpusu maszyny.

Montaż piły wykonać w kolejności odwrotnej od podanej powyżej. Przy zakładaniu tarczy tnącej należy zwrócić uwagę na zgodność kierunku obrotów tarczy. Kierunek strzałki na tarczy powinien być zgodny z kierunkiem strzałki na osłonie tarczy tnącej.

USTAWIANIE GŁĘBOKOŚCI CIĘCIA (rys. F):

Wykonywanie płytkich nacięć, o głębokości mniejszej niż grubość obrabianego materiału, jest możliwe przy ustawieniu założonej głębokości cięcia przez opuszczenie stopy pilarki (11) w odpowiednim położeniu.

Odłącz pilarkę od zasilania. Poluzuj śrubę ustawienia głębokości cięcia pilarki (25). Odsuń stopę w dół do żądanej głębokości cięcia. Zablokuj ustawienie śrubą (25).

USTAWIANIE KĄTA POCHYLENIA CIĘCIA (rys. G):

Pilarka umożliwia cięcie skośne w stosunku do płaszczyzny w zakresie od 0° do 45°. W tym celu należy odpowiednio ustawić stopę pilarki (11) w żądanym położeniu.

W tym celu należy odłączyć pilarkę od zasilania. Poluzować śrubę (9) mocującą stopę. Przeszawić stopę pilarki o żądany kąt. Zablokować ustawienie.

KORZYSTANIE Z PROWADNICZY DO CIĘCIA RÓWNOLEGŁEGO (rys. H):

Prowadnica (13) umożliwia cięcie równoległe do krawędzi ciętego materiału.

Odłącz pilarkę od zasilania. Wsuń prowadnicę w szczeliny z przodu stopy pilarki.

Ustaw żądaną szerokość cięcia. Zablokuj prowadnicę śrubą (10). Rozpocznij piłowanie.

WSKAŹNIK LASEROWY:

Wskaźnik laserowy pokazuje linię cięcia. Na powierzchni obrabianego przedmiotu należy zaznaczyć wymagany przebieg cięcia, a podczas cięcia prowadzić linię laserową wzdłuż linii zaznaczonej.

Laser jest zasilany przez dwie baterie typu AAA 1,5V. Należy odkręcić wkręt mocujący (6) i zdjąć pokrywę wskaźnika laserowego (5). Zamontować baterie do gniazdek pojemnika wg ich polaryzacji (+) i (-) (rys. I). Następnie zamknąć gniazdko pokrywą i zamocować wkrętem.

W celu włączenia lub wyłączenia wskaźnika laserowego należy przycisnąć włącznik/wyłącznik (4) (rys. A).

Sprawdź przed rozpoczęciem piłowania, czy linia cięcia jest prawidłowo pokazywana. Wskaźnik laserowy może się przestawić z powodu wibracji podczas intensywnego użytkowania elektronarzędzia.

UWAGA: Po każdym procesie piłowania należy wskaźnik laserowy wyłączyć.

KONSERWACJA, PRZECHOWYWANIE I TRANSPORT:

Maszyna w zasadzie nie wymaga specjalnych zabiegów konserwacyjnych. Maszynę należy przechowywać w miejscu niedostępnym dla dzieci, utrzymywać w stanie czystości, chronić przed wilgocią i zapyleniem. Warunki przechowywania powinny wykluczać możliwość uszkodzeń mechanicznych oraz wpływ czynników atmosferycznych.

Po pracy zaleca się oczyszczenie pilarki z trocin i pyłu. Ułatwia to uchwyt

osłony tarczy tnącej (2), pozwalający na odsłonięcie tarczy tnącej (13).



UWAGA! Z uchwytu należy korzystać tylko podczas przeprowadzania czynności konserwacyjnych i obsługowych po uprzednim odłączeniu maszyny od źródła zasilania.

Po pracy w środowisku silnie pyłącym zaleca się przedmuchiwanie sprężonym powietrzem otworów wentylacyjnych – zapobiegnie to wczesnemu zużyciu się łożysk i usunie pył blokujący dopływ powietrza chłodzącego silnik.

Widoczne zanieczyszczenia w otworze wyjściowym wiązki laserowej (12) ostrożnie usunąć patyczkiem z wacikiem, wykorzystując płyny do czyszczenia szkła.

Pilarkę transportować i przechowywać w opakowaniu chroniącym przed wilgocią, wnikaniem pyłu i drobnych ciał stałych – zwłaszcza należy zabezpieczyć otwory wentylacyjne. Drobne elementy, które dostaną się do wnętrza obudowy mogą uszkodzić silnik.

W razie problemów technicznych prosimy kontaktować się z uprawnionym serwisem.

OCHRONA ŚRODOWISKA:



UWAGA: Przedstawiony symbol oznacza zakaz umieszczania zużytego sprzętu łącznie z innymi odpadami (z zagrożeniem karą grzywny). Składniki niebezpieczne znajdujące się w sprzęcie elektrycznym i elektronicznym wpływają negatywnie na środowisko naturalne i zdrowie ludzi.

Gospodarstwo domowe powinno przyczynić się do odzysku i ponownego użycia (recyklingu) zużytego sprzętu. W Polsce i w Europie tworzony jest lub już istnieje system zbierania zużytego sprzętu, w ramach którego wszystkie punkty sprzedaży ww. sprzętu mają obowiązek przyjmować zużyty sprzęt. Ponadto istnieją punkty zbiórki ww. sprzętu.

PRODUCENT:

PROFIX Sp. z o.o.,
ul. Marywilska 34, 03-228 Warszawa

Niniejsze urządzenie jest zgodne z normami krajowymi i europejskimi, oraz z wytycznymi bezpieczeństwa.

UWAGA! Wszelkie naprawy muszą być przeprowadzane przez wykwalifikowany personel, używając oryginalnych części zamiennych.

PIKTOGRAMY:

Objaśnienia ikonek znajdujących się na tabliczce znamionowej i naklejkach informacyjnych:



– Przed podłączeniem i rozpoczęciem pracy należy przeczytać instrukcję obsługi.



– Zawsze stosować okulary ochronne.



– Stosować maskę przeciwpyłową.



– Stosować środki ochrony słuchu.



Polityka firmy PROFIX jest polityką stałego udoskonalania swoich produktów i dlatego firma rezerwuje sobie prawo zmiany specyfikacji wyrobu bez uprzedniego zawiadomienia. Obrazki, podane w instrukcji obsługi, są przykładowe i mogą się nieznacznie różnić od rzeczywistego wyglądu zakupionego urządzenia.


Niniejsza instrukcja jest chroniona prawem autorskim. Kopiowanie/ powielanie jej bez pisemnej zgody firmy Profix Sp. z o.o. jest zabronione.



ПЕРЕД НАЧАЛОМ ЭКСПЛУАТАЦИИ НЕОБХОДИМО ОЗНАКОМИТЬСЯ С НАСТОЯЩЕЙ ИНСТРУКЦИЕЙ.

Хранить инструкцию для возможного применения в будущем.



ПРЕДУПРЕЖДЕНИЕ! Необходимо ознакомиться со всеми предупреждениями, касающимися безопасности при эксплуатации, обозначенными символом  и всеми указаниями по технике безопасности.

Несоблюдение указанных ниже предупреждений, касающихся безопасности и указаний по технике безопасности может привести к поражению электрическим током, пожару и/или серьезным травмам тела.

Необходимо хранить все предупреждения и указания, касающиеся техники безопасности, чтобы можно было воспользоваться ними в будущем.

В указанных ниже предупреждениях слово „электроинструмент“ означает электроинструмент с питанием от сети (посредством электрического кабеля) или электроинструмент, питаемый от аккумулятора (беспроводное питание).



ПРЕДУПРЕЖДЕНИЕ! Общие предупреждения, касающиеся безопасности при эксплуатации инструмента.

Техника безопасности на рабочем месте:

- a) Необходимо поддерживать порядок и хорошее освещение на рабочем месте. Беспорядок и плохое освещение являются причиной несчастных случаев.
- б) На следует использовать электроинструмент во взрывоопасной среде, образующейся легко воспламеняющимися жидкостями, газами или пылью. Электроинструмент создаёт искры, которые могут привести к воспламенению пыли или испарений.
- в) Не допускать детей и наблюдателей в места, в которых применяются электроинструменты. Отвлечение внимания может привести к потере контроля над электроинструментом.



ПРЕДУПРЕЖДЕНИЕ! Общие предупреждения, касающиеся безопасности при эксплуатации инструмента.

Электробезопасность:

- a) Штепсельные вилки должны соответствовать сетевым розеткам. Ни в коем случае не переделывать каким-либо образом штепсельную вилку. Не применять каких-либо удлинителей электропитания в случае использования электроинструментов, имеющих провод электропитания с защитным заземляющим проводником. *Отсутствие переделок штепсельных розеток и сетевых розеток снижает опасность поражения электрическим током.*
- б) Необходимо избегать прикосновения к поверхности заземлённых или закороченных на массу элементов, таких как трубы, нагреватели, радиаторы центрального отопления и холодильные агрегаты. *В случае прикосновения заземлённого или закороченного на массу элемента увеличивается опасность поражения электрическим током.*
- в) Не подвергать электроинструменты воздействию дождя

или влажных условий. В случае попадания в электроинструмент воды увеличивается опасность поражения электрическим током.

- г) **Не создавать опасности повреждения кабеля электропитания.** Ни в коем случае не использовать кабеля электропитания, чтобы переносить или тянуть электроинструмент или для извлечения штепсельной вилки из розетки. Кабель электропитания должен находиться вдали от источников тепла, масел, острых краёв и движущихся частей. *Повреждённые или запутанные кабели электропитания увеличивают опасность поражения электрическим током.*
- д) Если электроинструмент эксплуатируется на свежем воздухе, следует использовать удлинители кабеля электропитания, предназначенные для работы вне помещений. *Использование удлинителя кабеля электропитания, предназначенного для работы вне помещений, снижает опасность поражения электрическим током.*
- е) Рекомендуется подключение устройств к электрической сети, снабжённой выключателем остаточного тока (RCD) с током выключения 30 мА или менее.
- ё) Если эксплуатация электроинструмента во влажной среде неизбежна, в качестве защиты от напряжения питания необходимо использовать защитное устройство по разностному току (RCD). *Применение защитного устройства по разностному току снижает опасность поражения электрическим током.*



ПРЕДУПРЕЖДЕНИЕ! Общие предупреждения, касающиеся безопасности при эксплуатации инструмента.

Индивидуальная безопасность:

- a) Настоящее оборудование не предназначено для эксплуатации лицами (включая детей) с физическими, сенсорными или умственными ограничениями или лицами, не имеющими опыта или не знающими оборудования, разве что это осуществляется под надзором или в соответствии с инструкцией по эксплуатации оборудования, переданной лицами, отвечающими за их безопасность.
- б) Необходимо быть предусмотрительным, наблюдать за работой и руководствоваться здравым смыслом во время эксплуатации электроинструмента. Не следует эксплуатировать электроинструмент в состоянии переутомления или находясь под действием наркотиков, алкоголя или лекарств. *Менюение невнимания во время эксплуатации электроинструмента может быть причиной травмы пользователя.*
- в) Необходимо применять средства личной защиты. Необходимо обязательно работать с защитными очками. *Применение в соответствующих условиях средств личной защиты, таких как противопыльный респиратор, противоскользящая обувь, каска или средства защиты слуха снизит риск получения травмы.*
- г) Необходимо избегать случайного запуска в работу.

Прежде чем вставить вилку кабеля электропитания в сетевую розетку или подключить аккумулятор, а также перед тем, как поднять или перенести электроинструмент, необходимо убедиться, что включатель электроинструмента находится в положении «выключено». Перенос электроинструмента с пальцем на выключателе или подключение электроинструмента к сети питания при включенном выключателе может привести к несчастному случаю.

- д) Прежде, чем запустить электроинструмент в работу, необходимо устранить все ключи. Ключ, оставшийся во вращающейся части электроинструмента, может привести к травме пользователя.
- е) Не следует слишком сильно наклоняться. Необходимо всё время сохранять устойчивость и равновесие. Это позволяет лучше контролировать электроинструмент в неожиданных ситуациях.
- ж) Необходимо иметь соответствующую одежду. Не работать в свободной одежде или с бижутерией. Необходимо, чтобы волосы пользователя, его одежда и рукавицы находились вдали от движущихся элементов. Свободная одежда, бижутерия или длинные волосы могут быть зацеплены движущимися частями.
- з) Если оборудование приспособлено для присоединения внешнего пылеотвода (пылеулавливающего устройства) и поглотителя пыли, необходимо убедиться, что они присоединены и правильно применяются. Применение поглотителей пыли может уменьшить опасность, связанную с запыленностью.
- и) Не позволяйте, чтобы навыки, приобретенные благодаря частому использованию электроинструментом, позволили Вам почувствовать себя самоуверенно и проигнорировать правила техники безопасности. Неосторожные действия могут вызвать серьезные травмы в течение доли секунды.



ПРЕДУПРЕЖДЕНИЕ! Общие предупреждения, касающиеся безопасности при эксплуатации инструмента.

Эксплуатация и уход за электроинструментом:

- а) Не допускать перегрузки электроинструмента. Применять электроинструмент с мощностью, соответствующей выполняемой работе. Надлежащий электроинструмент позволит лучше и безопаснее работать при нагрузке, на которую он рассчитан.
- б) Не следует применять электроинструмент, если его выключатель не включается и не выключается. Каждый электроинструмент, который не может включаться или выключаться выключателем, представляет опасность и должен быть передан на ремонт.
- в) Необходимо отсоединить штепсельную вилку от источника питания электроинструмента и/или отсоединить аккумулятор прежде чем выполнить какую-либо установку, замену части или складирование устройства. Такие предупредительные меры безопасности снижают риск случайного запуска электроинструмента в работу.
- г) Неиспользуемый электроинструмент следует хранить в

недоступном для детей месте и не разрешать тем, кто незнаком с электроинструментом или настоящей инструкцией, пользоваться электроинструментом. *Электроинструмент опасен в руках необученных пользователей.*

- д) Следует выполнять технический уход за электроинструментом. Необходимо проверить соосность или отсутствие заедания (защемления) подвижных элементов, трещин частей, а также все другие факторы, могущие влиять на работу электроинструмента. В случае обнаружения неисправности, необходимо выполнить ремонт электроинструмента. Причиной многих несчастных случаев является непрофессиональный способ выполнения технического ухода.
- е) Режущий инструмент должен быть острым и чистым. Соответствующее содержание и уход за острыми кромками режущего инструмента снижает вероятность защемления и упрощает обслуживание.
- ж) Электроинструмент, оснащение, рабочие инструменты и т. п. необходимо применять в соответствии с настоящей инструкцией, учитывая рабочие условия и вид выполняемой работы. Применение электроинструмента не по назначению может привести к опасным ситуациям.
- з) При низкой температуре или после длительного перерыва в эксплуатации рекомендуется включение электроинструмента без нагрузки на несколько минут с целью распределения смазки в механизме привода.
- и) Для чистки электроинструмента применять мягкую, влажную (не мокрую) тряпку и мыло. Не применять бензина, растворителей и других средств, могущих повредить устройство.
- й) Электроинструмент следует хранить/ транспортировать, убедившись, что все его подвижные элементы заблокированы и защищены от разблокировки при помощи оригинальных элементов, предназначенных для этой цели.
- к) Электроинструмент должен храниться в сухом месте и быть защищенным от пыли и проникания влаги.
- л) Транспортировку электроинструмента необходимо выполнять в оригинальной упаковке, защищающей от механических повреждений.
- м) Держатели и хватательные поверхности следует содержать в чистоте, устраняя с них масло и смазку. Скользкие держатели и хватательные поверхности не позволяют безопасно держать инструмент и контролировать его в случае возникновения неожиданных ситуаций.



ПРЕДУПРЕЖДЕНИЕ! Общие предупреждения, касающиеся безопасности при эксплуатации инструмента.

Ремонт:

- а) Гарантийный и послегарантийный ремонт своих электроинструментов выполняет сервисная служба компании PROFIX, что гарантирует высочайшее качество ремонта и использование оригинальных запчастей.
- б) Если неотсоединяемый кабель электропитания поврежден, он должен быть заменен на предприятии-

изготовителе или специализированном ремонтном предприятии, либо квалифицированным лицом, что позволит избежать опасности.



ПРЕДУПРЕЖДЕНИЕ!

ЦИРКУЛЯРНАЯ ПИЛА, предупреждения по технике безопасности:

- a) Держать руки вдали от зоны резки и пильного диска. Другая рука должна находиться на вспомогательной рукоятке или на корпусе электродвигателя. Если держать пилу обеими руками, отсутствует опасность поранить их пильным диском.
- б) Не держать руки снизу обрабатываемого предмета. Защитный кожух не защищает от пильного диска ниже обрабатываемого предмета.
- в) Установить глубину пропила в соответствии с толщиной обрабатываемого предмета. Рекомендуется, чтобы пильный диск выступал ниже разрезаемого материала не более, чем на высоту зубьев.
- г) Ни в коем случае не держать разрезаемый предмет руками или на ноге. Закрепить обрабатываемый предмет на стабильном основании. Хорошее и надёжное закрепление обрабатываемого предмета важно, это позволяет избежать опасности контакта с телом, защемления пильного диска или потери контроля над резкой.
- д) Следует держать пилу за изолированные поверхности, предназначенные для этой цели во время работы, при которой может произойти контакт пильного диска с проводами, находящимися под напряжением, или со своим собственным кабелем электропитания. В результате соприкосновения с проводами, находящимися под напряжением, металлические элементы электроинструмента также могут оказаться под электрическим напряжением, что приведёт к поражению оператора.
- е) Во время продольной резки обязательно следует использовать направляющую шину для продольной резки или направляющую шину для краёв. Это повышает точность резки и снижает вероятность защемления пилы.
- ж) Следует применять только пильные диски соответствующих размеров и формы посадочных отверстий (напр. в виде ромба или круглые). Пильные диски, не соответствующие крепёжному приспособлению, могут вращаться эксцентрически, что приведёт к потере контроля над работой.
- з) Ни в коем случае не применять для крепления пильного диска повреждённых или несоответствующих подкладок или винтов. Подкладки и крепящие винты специально спроектированы для циркулярной пилы, чтобы обеспечить оптимальную работу и безопасность пользования.

Причины отброса и его предотвращение:

- задний отброс это резкий подъём и перемещение пилы в направлении оператора вдоль линии резки в результате неконтролируемой резки зацепившимся, зажатым или неправильно перемещаемым пильным диском;
- если пильный диск зацепится и зажмётся в щели, он останавливается и в результате реакции электродвигателя

происходит резкое движение циркулярной пилы взад, в направлении оператора;

— если пила повернута или неправильно установлена в разрезаемом элементе, зубья пильного диска после выхода из материала могут ударить в верхнюю поверхность разрезаемого материала, что приведёт к подъёму пилы и отбросу её в направлении оператора.

Причиной заднего отброса является неправильная эксплуатация пилы, неправильные процедуры или ненадлежащие условия эксплуатации. Его можно избежать, применяя соответствующие меры предосторожности, указанные ниже.

- a) Крепко держать пилу обеими руками, плечи должны быть размещены так, чтобы выдержать силу заднего отброса. Тело должно быть расположено с одной стороны пилы, но не вдоль линии резки. В результате заднего отброса может произойти резкое движение циркулярной пилы взад, но сила отброса может контролироваться оператором, если будут применены соответствующие меры предосторожности.
- б) Если пильный диск защемляется (заедает) или если резка по какой-то причине прекращается, необходимо отпустить кнопку включателя и держать пилу неподвижно в материале, пока пильный диск полностью не остановится. Ни в коем случае не пытаться извлечь пилу из разрезаемого материала, не тянуть пилу взад, пока пильный диск вращается или может привести к заднему отбросу. Определить причину защемления пильного диска и предпринять исправляющие действия по её устранению.
- в) В случае возобновления работы пилы в обрабатываемом элементе отцентрировать пильный диск в щели пропила и убедиться, что зубья пилы не зацеплены в материале. В случае защемления пильного диска при повторном запуске пилы в работу, он может выдвинуться или быть причиной заднего отброса относительно обрабатываемого предмета.
- г) Следует поддерживать большие плиты, чтобы свести к минимуму опасность защемления и заднего отброса пильного диска. Большие плиты склонны прогибаться под действием собственного веса. Подпорки должны быть установлены под плитой с обеих сторон, вблизи линии резки и вблизи краёв плиты.
- д) Не применять тупых или повреждённых пил. Если зубья пилы затуплены или неправильно установлены, щель пропила будет узкой, в результате произойдёт защемление пилы и задний отброс.
- е) Прежде, чем приступить к резке, необходимо надёжно зафиксировать установку зажимов глубины пропила и угла наклона пильного диска. Если установка пилы изменяется во время резки, это может привести к защемлению пилы и заднему отбросу.
- ж) Необходимо особенно следить во время выполнения «глубинной резки» в имеющихся стенных перегородках или другом невидимом пространстве. Выступающая пила может резать другие предметы, что приведёт к заднему

отбросу.

- з) Перед каждым использованием пилой следует проверить, правильно ли установлен нижний элемент защитного кожуха. Не работать с пилой, если нижний защитный элемент не перемещается свободно и немедленно не закрывается. Ни в коем случае не прикреплять или не оставлять нижний защитный элемент в открытом положении. При случайном падении пилы, защитный кожух может погнуться. Нижний защитный элемент следует поднимать при помощи оттягивающей рукоятки и убедиться, что она свободно движется и не прикасается к пильному диску или другому элементу при любой установке угла и глубины пропила.
- и) Проверить работу нижней пружины. Если кожух и пружина не работают надлежащим образом, следует это исправить перед началом эксплуатации пилы. Причиной медленной работы нижнего защитного элемента может быть повреждение элементов, липучий осадок или наслоение отходов.
- й) Допустимо выполнять отвод нижнего защитного элемента вручную только в случае выполнения специальных резов, таких как «глубинная резка» и «сложная резка». Нижний защитный элемент поднять при помощи оттягивающей рукоятки и как только пильный диск углубится (войдёт) в материал, нижний защитный элемент необходимо опустить. При выполнении любых других резов рекомендуется автоматический режим работы нижнего защитного элемента.
- к) Необходимо следить, чтобы пильный диск был закрыт нижним защитным элементом перед установкой циркулярной пилы на верстаке или на полу. В случае незащищённого края пильного диска пила будет перемещаться взад, разрезая всё, что находится на её пути. Следует помнить, что для полной остановки вращения пильного диска после выключения пилы, необходимо время.



ВНИМАНИЕ! Применять устройства для отсоса пыли!

Если производитель предусмотрел применение устройства для отсоса пыли или сбора пыли, следует проверить присоединено ли оно и правильность его установки.



ПРЕДУПРЕЖДЕНИЕ!

Необходимо применять средства защиты. Обязательно применять противопыльные респираторы.

Контакт или вдыхание пыли, образующейся при резке, представляет опасность для здоровья пользователя или других лиц, находящихся вблизи. Для защиты от пыли и испарений применять противопыльный респиратор и позаботится также о безопасности других лиц, находящихся в месте выполнения работы.



ВНИМАНИЕ! Не применять каких-либо пильных дисков, имеющих другие размеры, чем указано в настоящей инструкции по обслуживанию.

Применять пильные диски соответствующего диаметра и толщины, соответствующие частоте вращения шпинделя

это циркулярной пилы.

- Не использовать пильных дисков из быстрорежущей высоколегированной стали. Эти пильные диски легко ломаются.
- Не использовать пильных дисков (отрезных кругов), предназначенных для резки металла или камня.
- Устанавливать только острые пильные диски, находящиеся в идеальном состоянии. Имеющие трещины или погнутые диски следует немедленно заменить новыми.
- Проверить закреплён ли надлежащим образом пильный диск и вращается ли он в правильном направлении.



ПРЕДУПРЕЖДЕНИЕ!

Необходимо применять средства защиты. Обязательно работать с защитными очками.



ПРЕДУПРЕЖДЕНИЕ!


Необходимо применять средства защиты. Обязательно работать со средствами защиты слуха.



ПРЕДУПРЕЖДЕНИЕ! Циркулярная пила, дополнительные предупреждения по технике безопасности

Личная безопасность:

1. Прежде чем подключить кабель электропитания (26) к источнику тока необходимо убедиться:
 - а) что источник питания имеет параметры, соответствующие параметрам циркулярной пилы, указанным на щитке;
 - б) установлен пильный диск для древесины и дерево-производных материалов с максимально допустимой частотой вращения не менее 4700 об/мин;
 - в) пильный диск (14) правильно установлен и надёжно закреплён, при чём направление стрелок (19) на пильном диске и на защитном корпусе совпадает;
 - г) пильный диск (14) является острым, находится в хорошем техническом состоянии, не имеет каких-либо повреждений, трещин, выемок;
 - д) включатель циркулярной пилы (22) находится в положении «включено», а кнопка безопасности (23) и рычаг блокировки шпинделя (20) не задействованы;
 - е) имбусовый ключ (27) для крепления пильного диска удалён из гнезда винта крепления пильного диска (15) и не находится в поле действия пилы;
 - ж) прочно завинчены винты установки:
 - глубины пропила (25),
 - угла резки (9),
 - направляющей параллельной резки (10);
 - з) отклоняемый защитный кожух пильного диска (18) исправен и находится в закрытом положении.
2. При работе с удлинителем электропитания необходимо убедиться, что параметры удлинителя, сечения проводов соответствуют параметрам циркулярной пилы. Рекомендуется применять максимально короткие удлинители электропитания. Удлинитель должен быть полностью размотан.

3. Прежде чем включить циркулярную пилу следует убедиться, что в обрабатываемом материале отсутствуют гвозди, винты, шурупы и/или другие посторонние предметы.
4. Запрещено блокировать защитный кожух пильного диска (18).
5. При включении циркулярной пилы и при работе с циркулярной пилой необходимо держать её за обе ручки (3) и (7).
6. Машину включать только в том случае, если пильный диск (14) не прикасается к обрабатываемому элементу.
7. Резку начинать после достижения максимальной скорости вращения циркулярной пилы.
8. Резку выполнять только в том случае, если плоскость опорной подошвы пилы (11) надёжно опирается на плоскость разрезаемого материала.
9. Не действовать с чрезмерной силой на циркулярную пилу во время резки. Это может привести к несчастному случаю, а в результате к потере здоровья или жизни и/или повреждению перегруженного двигателя. Повреждение (перегорание обмотки) электродвигателя в результате перегрузки машины гарантийному ремонту не подлежит!
10. Запрещено выполнять при помощи циркулярной пилы криволинейные резы, обработку краёв, фрезерование. Это может привести к несчастному случаю, а в результате к потере здоровья или жизни и/или повреждению машины, не подлежащему гарантийному ремонту.
11. Запрещено тормозить движение пильного диска после выключения циркулярной пилы путём прижимания к разрезаемому материалу.
12. Необходимо регулярно контролировать состояние винтов, крепящих корпус дисковой пилы. В случае необходимости затянуть их отвёрткой Ph3.
13.  Циркулярная пила это устройство, оснащённое лазерным указателем, с лазером класса «2» согласно стандарту **EN 60825**. Запрещено смотреть в луч лазера и направлять луч лазера непосредственно в глаза людей и животных. Кратковременное попадание луча лазера класса «2» в глаз является безвредным, если время воздействия не превысит 0,25 сек. Непроизвольное закрытие глазных век в общем случае является достаточной защитой. Использование оптических устройств, напр. очков, биноклей и т.п. не увеличивает опасность травмы глаз.

ПРИМЕНЕНИЕ ПО НАЗНАЧЕНИЮ:

Данная ручная циркулярная пила предназначена для резки древесины, фанеры, древесностружечных плит и тому подобных деревопроизводных материалов.

Запрещено применять её для резки, шлифовки металла или камня, а также запрещено устанавливать на неё диски (круги), предназначенные для резки, шлифовки металла или камня.

Циркулярная пила приспособлена для прямолинейной резки и не пригодна для выполнения криволинейного реза.

Применение по назначению означает также соблюдение указаний по технике безопасности, а также инструкции по монтажу (установке) и указаний по эксплуатации, содержащихся в инструкции по обслуживанию. Лица, обслуживающие электроинструмент и выполняющие уход на нем, должны ознакомиться с этими указаниями, необходимо также объяснить им, какие возможны при

этом опасности.

Кроме того, необходимо максимально строго соблюдать действующие правила по предотвращению несчастных случаев (правила техники безопасности).

ВНИМАНИЕ: Не подвергать электроинструмент воздействию дождя или влажных условий.

Каждое применение циркулярной пилы, несоответствующее указанному выше назначению, запрещено и ведёт к потере гарантии, а также к отсутствию ответственности производителя за возникший в результате этого ущерб.

Какие-либо модификации устройства, выполненные пользователем, освобождают производителя от ответственности за повреждения и ущерб, причинённый пользователю и окружающей среде.

Правильная эксплуатация циркулярной пилы касается также технического ухода, складирования, транспортировки и ремонта.

Ремонт циркулярной пилы может выполняться только в указанных производителем сервисных пунктах. Устройства с питанием от сети должны ремонтироваться исключительно лицами, имеющими соответствующий допуск.

Даже применяя электроинструмент по назначению, нельзя полностью исключить определённых факторов остаточного риска. С учётом конструкции электроинструмента, могут иметь место следующие опасности:

- Прикосновение к пильному кругу в незащищённой области циркулярной пилы.
- Попадание на вращающийся пильный диск (резаная рана).
- Отбрасывание обрабатываемого предмета или его части.
- Трескание / поломка пильного диска.
- Ухудшение слуха в результате неприменения требуемых средств защиты слуха.
- Вредное для здоровья выделение древесной пыли при выполнении работ в закрытых помещениях.

Электроинструмент не предназначен для профессионального, ремесленного или промышленного применения. Гарантийный договор не действителен, если электроинструмент использовался на ремесленных, промышленных предприятиях или предприятиях с подобной деятельностью.

СОСТАВ КОМПЛЕКТА:

- Циркулярная пила - 1 шт.
- Направляющая шина параллельной резки - 1 шт.
- Пильный диск Ø 185 x Ø 20 x 2,5 x 24Т - 1 шт.
- Ключ имбусовый - 1 шт.
- Батарейки для питания лазерного указателя (1,5 В «AAA») - 2 шт.
- Угольные щётки - 2 шт.
- Инструкция по эксплуатации - 1 шт.
- Гарантийная карта - 1 шт.

КОНСТРУКЦИЯ МАШИНЫ:

Циркулярная пила имеет второй класс электрической защиты (двойная изоляция) и приводится в движение однофазным двигателем.

Конструкция дисковой пилы представлена на рисунках на стр. 2-3:

- Рис. А:**
1. Выбросопилко
 2. Ручка защитного кожуха пильного диска
 3. Рукоятка
 4. Кнопка «вкл./выкл.» лазерного указателя
 5. Крышка батарейного отсека лазерного указателя
 6. Винт крепления крышки
 7. Вспомогательная рукоятка
 8. Шкала угла косого пропила
 9. Винт установки угла резки
 10. Зажимной винт установки направляющей шины параллельной резки
 11. Опорная подошва циркулярной пилы
 12. Выходное отверстие лазерного луча
 13. Направляющая шина параллельной резки
 14. Пильный диск
 15. Винт крепления пильного диска
 16. Подкладка
 17. Фланец прижимной внешний
 18. Отклоняемый защитный кожух пильного диска:
 - в открытом положении (рис. А),
 - в закрытом положении (рис. В)
 19. Стрелки направления вращения пильного диска

- Рис. В:**
20. Рычаг блокировки шпинделя
 21. Метки, указывающие линию реза при наклоне опорной подошвы под углом 0° и 45°
 22. Выключатель
 23. Кнопка безопасности
 24. Шкала глубины пропила
 25. Ручка установки глубины пропила
 26. Кабель электропитания
 27. Ключ имбусовый

Рис. С: 28. Внутренний прижимной фланец

Рис. I: 29. Батареи

Это универсальная ручная пила, отличающаяся компактной, эргономичной конструкцией. Позволяет регулировать глубину пропила и приспособить машину к толщине разрезаемого материала, а также выполнения косого реза (плоскость реза не перпендикулярна к поверхности разрезаемого материала).

Это безопасная машина, поскольку в ней применена конструкция с саморегулирующейся системой открытия и закрытия кожуха пильного диска во время работы.

Конструкция машины позволяет легко обслуживать кнопки, блокировки и ручки (держатели), обеспечивающих определённые функции связанные с эксплуатацией и техническим обслуживанием.

ТЕХНИЧЕСКИЕ ПАРАМЕТРЫ:

Напряжение номинальное	230-240 В
Частота номинальная	50 Гц
Потребляемая мощность	1500 Вт
Частота вращения, макс.	4700 обр/мин
Макс. диаметр пильного диска	185 мм
Диаметр посадочного отверстия диска	20 мм
Макс. частота вращения пильного диска	≥4700 обр/мин
Глубина пропила (0°/45°), макс.	63 мм /45 мм

Угол резки	0° ~ 45°	
Лазерный указатель:	класс лазера	2
	длина волны лазерного излучения	650 нм
	мощность лазера	≤1мВт
Класс оборудования	II/II	
Вес	4,3 кг	
Длина кабеля электропитания	3 м	
Уровень звукового давления (LpA), (K=±3дБ(A))	94 дБ(A)	
Уровень звуковой мощности (LwA), (K=±3дБ(A))	105 дБ(A)	
Уровень вибрации согласно стандарта: EN 60745 (коэффициент погрешности измерения K=1,5 м/с²)	4,26 м/с²	

Указанный уровень вибрации соответствует основным применениям электроинструмента. Если электроинструмент будет использован для других применений или с другими рабочими инструментами, а также, если не будет выполнен соответствующий технический уход, уровень вибрации может отличаться от указанного. Указанные выше причины могут привести к усилению воздействия вибраций в течение всего времени работы..

Необходимо применять дополнительные меры безопасности с целью защиты оператора от воздействия вибрации, а именно: технический уход за электроинструментом и рабочими инструментами, обеспечение соответствующей температуры рук, определение очередности рабочих операций.

Заявленное общее значение вибрации и заявленные значения эмиссии шума были измерены в соответствии со стандартным методом испытаний и могут быть использованы для сравнения одного инструмента с другим.

Заявленные общие значения вибрации и заявленные значения эмиссии шума можно использовать в предварительной оценке подверженности опасности.

Предупреждения:

Вибрация и эмиссия шума во время практического использования электроинструмента могут отличаться от заявленных значений в зависимости от способа, которым инструменты используются, в особенности от типа обрабатываемого предмета.

Следует определить средства безопасности с целью защиты оператора, которые основываются на расчете уровня подверженности опасности в состоянии реального использования (учитывая все этапы операционного цикла, в ходе которых инструмент выключен и когда работает на холостом ходу, за исключением времени высвобождения).

РАБОТА С ЦИРКУЛЯРНОЙ ПИЛОЙ:

1. Прежде чем приступить к работе, необходимо поверить состояние пильного диска, чтобы избежать перегрузки и неправильной работы циркулярной пилы.
2. В начале работы следует разметить линию резки на материале.
3. Устройством имеет кнопку безопасности (23), предохраняющую от случайного включения циркулярной пилы. Чтобы запустить циркулярную пилу в работу необходимо сначала нажать кнопку безопасности, а затем нажать выключатель пилы (22) и держать его в этом положении. Дать возможность циркулярной пиле набрать максимальную частоту вращения.

4. Приложить опорную подошву циркулярной пилы (11) к разрезаемому материалу так, чтобы плоскость опорной подошвы надёжно прилегла к плоскости разрезаемого материала, а метка указывающая линию реза (21), находилась над этой линией.
5. Во время работы циркулярной пилы (поступательного движения вперёд), по мере углубления пильного диска в материале, отклоняемый защитный кожух (18) будет постепенно открывать пильный диск, позволяя разрезать материал. Возвратная пружина защитного кожуха вернёт кожух в первоначальное положение, когда пильный диск выйдет из разрезаемого материала.
6. Циркулярную пилу необходимо перемещать по прямой линии. Непрямолинейное перемещение циркулярной пилы может вести к увеличению сопротивления резки и блокировке пильного диска. Результатом этого могут быть перегорание обмотки электродвигателя и потеря права на гарантийный ремонт, а также возможность серьёзного несчастного случая.
7. Окончание резки заключается в:
 - а) полном извлечении вращающегося пильного диска из разрезаемого материала;
 - б) освобождении кнопки включателя (22);
 - в) ожидании, пока пильный диск не перестанет вращаться;
 - г) размещении машины в безопасном месте.
8. Окончание работы с циркулярной пилой, после выполнения действий в соответствии с п. 7 заключается в:
 - а) отключении кабеля электропитания от источника питания;
 - б) очистке циркулярной пилы от опилок и пыли;
 - в) защите циркулярной пилы от доступа посторонних лиц (напр. детей).

СМЕНА ПИЛЬНОГО ДИСКА:



ВНИМАНИЕ: Прежде чем приступить смене пильного диска, следует отсоединить электроинструмент от источника электропитания и дождаться, пока диск не остановится.

Установку пильного диска выполнять в защитных рукавицах. При прикосновении к пильному диску возможна травма.

Применять только пильные диски, параметры которых соответствуют номинальным данным, указанным в настоящей инструкции по обслуживанию.

Категорически запрещено применять шлифовальные круги в качестве рабочего инструмента.

На Рис. С на стр. 3 представлены элементы, крепящие пильный диск (14) на валу электроинструмента, а именно:

15. Винт шестигранным гнездом
16. Подкладка винта
17. Внешний прижимной фланец
18. Внутренний прижимной фланец

Для смены пильного диска необходимо:

– Нажать рычаг блокировки шпинделя (20) и удерживать его в нажатом состоянии. При помощи шестигранного ключа (27) отвинтить крепящий винт (15) (рис. D, стр. 3).

ВНИМАНИЕ: рычаг блокировки шпинделя (20) можно нажимать только при неподвижном шпинделе. В противоположном случае может наступить повреждение электроинструмента.

– При помощи рукоятки кожуха (2) отклонить кожух назад и придержать. Снять внешний прижимной фланец и пильный диск (14) свала электроинструмента (рис. E, стр. 3).

ВНИМАНИЕ: Не снимать внутреннего прижимного фланца (28); если фланец выпадет, необходимо вставить его обратно плоской поверхностью в направлении наружу от корпуса машины.

Установка пильного диска производится в обратной от указанной выше последовательности. При установке пильного диска необходимо обратить внимание на соответствие направления вращения диска. Направление вращения стрелки на диске должно соответствовать направлению стрелки на кожухе режущего диска.

УСТАНОВКА ГЛУБИНЫ ПРОПИЛА (рис. F):

Выполнение неглубоких резов, с глубиной меньшей толщины разрезаемого материала возможно при установке требуемой глубины пропила путём опускания опорной подошвы (11) циркулярной пилы в соответствующее положение.

Для этого необходимо отключить пилу от электропитания. Ослабить винт регулировки глубины пропила циркулярной пилы (25). Переместить опорную подошву вниз на заданную глубину пропила. Заблокировать винт (25).

УСТАНОВКА УГЛА НАКЛОНА РЕЗКИ (рис. G):

Пила позволяет выполнять косые резы относительно плоскости в пределах от 0° до 45°, путём установки опорной подошвы пилы (11) в заданное положение.

Для этого необходимо отключить циркулярную пилу от питания. Ослабить винт (9), крепящий опорную подошву. Изменить установку опорной подошвы на заданный угол. Заблокировать установку, затягивая винт.

ПРИМЕНЕНИЕ НАПРАВЛЯЮЩЕЙ ШИНЫ ДЛЯ ПАРАЛЛЕЛЬНОЙ РЕЗКИ (рис. H):

Направляющая шина (13) позволяет выполнять резку параллельно линии края разрезаемого материала.

Отключить циркулярную пилу от электропитания. Вставить направляющую шину в щель спереди опорной подошвы дисковой пилы.

Установить требуемую ширину резки. Заблокировать направляющую шину винтом (10). Начать распиливание.

ЛАЗЕРНЫЙ УКАЗАТЕЛЬ:

Лазерный указатель указывает линию резки. Необходимо обозначить на поверхности обрабатываемого предмета требуемый ход резки, а во время резки вести лазерную линию вдоль обозначенной линии.

Лазер питается от двух батареек типа «AAA» 1,5 В. Необходимо отвинтить крепящий винт (6) и снять крышку лазерного указателя (5). Установить батарейки в гнезда отсека согласно их полярности (+) и (-) (рис. I). Затем закрыть гнезда крышкой и завинтить винт.

Для включения или выключения лазерного указателя необходимо нажать включатель/выключатель (4) (рис. A).

Прежде, чем начать резку, следует проверить, правильно ли показывается линия резки. Установка лазерного указателя может измениться в результате вибрации при интенсивной эксплуатации электроинструмента.

ВНИМАНИЕ: После завершения процесса резки лазерный указатель необходимо выключать.

ТЕХНИЧЕСКИЙ УХОД, ХРАНЕНИЕ И ТРАНСПОРТИРОВКА:

Машина в принципе не требует специальных процедур по техническому уходу и обслуживанию. Машину следует хранить в месте, недоступном для детей, содержать в чистоте, защищать от влаги и пыли. После окончания работы рекомендуется очистить циркулярную пилу от опилок и пыли. Для этого служит ручка защитного кожуха пильного диска (2), позволяющий открывать пильный диск (13).



ВНИМАНИЕ: Ручкой необходимо пользоваться только во время выполнения действий по техническому обслуживанию и уходу, после предварительного отключения машины от источника питания.

После работы в условиях сильной запыленности рекомендуется выполнить продувку сжатым воздухом вентиляционных отверстий. Это предотвратит преждевременный износ подшипников и устранил пыль, блокирующую приток охлаждающего воздуха в двигатель.

Видимые загрязнения в выходном отверстии лазерного луча (12) следует осторожно устранить палочкой с ваткой, применяя жидкость для чистки стекла.

Циркулярную пилу следует транспортировать и хранить в упаковке, защищающей от влаги, проникновения пыли и мелких твёрдых объектов, особенно необходимо защитить вентиляционные отверстия. Мелкие элементы, попавшие вовнутрь корпуса, могут повредить двигатель.

В случае возникновения технических проблем, просим связаться с авторизованным сервисным пунктом.

ЗАЩИТА ОКРУЖАЮЩЕЙ СРЕДЫ:



ВНИМАНИЕ: Указанный символ означает запрет размещения использованных электроинструментов вместе с другими отходами (за это грозит наказание в виде штрафа). Опасные компоненты, имеющиеся в электрическом и электронном оборудовании, отрицательно влияют на окружающую среду и здоровье.

Домашнее хозяйство должно способствовать восстановлению и повторному использованию (рециклированию) использованного оборудования. В Польше и в Европе создаётся или уже существует

система сбора использованного оборудования, предусматривающая, что все пункты продажи в/у оборудования обязаны принимать использованное оборудование. Кроме того, имеются пункты приёма в/у оборудования.

ПРОИЗВОДИТЕЛЬ:

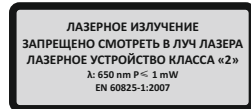
000 «ПРОФИКС»
ул. Марывильска 34
03-228 Варшава, ПОЛЬША

Настоящее устройство соответствует польским и европейским стандартам, а также указаниям по технике безопасности.

ВНИМАНИЕ! Все работы по ремонту должны выполняться квалифицированным персоналом с применением оригинальных запасных частей.

ПИКТОГРАММЫ:

Описание знаков, имеющихся на щитке и информационных наклейках на электроинструменте:



— **ПРЕДУПРЕЖДЕНИЕ!** Перед подключением и началом работы необходимо прочитать инструкцию по эксплуатации.



— Использовать защитные очки во время работы.



— Использовать противопылевую маску.



— Во время работы рекомендуется применять соответствующие средства защиты слуха.



Политика компании PROFIX - это политика постоянного совершенствования своих изделий, поэтому компания сохраняет за собой право изменения спецификации изделия без предварительного уведомления. Изображения, имеющиеся в инструкции, являются примерными и могут незначительно отличаться от фактического вида приобретённого электроинструмента.

Настоящая инструкция по эксплуатации защищена авторскими правами. Запрещено её копирование и размножение без согласия 000 «ПРОФИКС».

**ÎNAINTE DE UTILIZARE, CITIȚI ACESTE INSTRUCȚIUNI.**

Păstrează instrucțiunile pentru o folosire viitoare.

ATENȚIE! Citește toate avertismentele referitoare la protecția muncii marcate cu simboluri ⚠ și toate indicațiile referitoare la utilizarea în siguranță.



Nerespectarea avertismentelor de mai jos, poate duce la accidente și la electrocutare, incendii și/sau la vătămări corporale.

Păstrează toate avertismentele și indicațiile referitoare la protecția muncii, pentru a le folosi în viitor.

În avertismentele de mai jos, termenul "unealtă electrică" înseamnă unealtă care este alimentată de la rețea (cu cablu de alimentare) sau unealtă electrică alimentată din baterie (fără cablu).

**ATENȚIE! Reguli generale de protecție a muncii.****Și siguranța la locul de muncă:**

- La locul de muncă păstrează curățenie și bună iluminare. Zonele și bancurile de lucru aglomerate cheamă accidente.
- Nu utilizați unealta electrică în atmosferi explozive, formate din lichide inflamabile, gaze sau lichide. Unelata electrică produce scântei, care pot aprinde praful sau aburii.
- Țineți copiii departe de locurile în care unealta electrică este folosită. Distragerea atenției poate duce la pierderea atenției asupra unelei electrice.

**ATENȚIE! Reguli generale cu privire la utilizarea în siguranță a uneltei.****Și siguranța electrică:**

- Ștecherul uneltei electrice trebuie să fie conforme cu priza. Este interzisă modificarea ștecherului. Este interzisă utilizarea prelungitoarelor în cazul uneltelor electrice cu cablu de legare la pământ de protecție. Nemodificarea ștecherelor și a prizelor micșorează riscul de electrocutare.
- Evitați să atingeți suprafața de împământare sau conectările la masă, cum ar fi conducte, radiatoare, radiatoare de încălzire centrală și frigider. În cazul atingerii părților împământate, crește riscul de electrocutare.
- Nu expuneți sculele electrice în condiții de ploaie sau mediu umed. În caz de infiltrație cu apă, crește riscul de electrocutare.
- Nu abuzați de cablurile de conectare. Nu folosiți cablul de alimentare la mutarea, tragerea uneltei sau tragerea ștecherului din priză. Păstrați cablul de alimentare departe de surse de căldură, ulei, mυχii ascuțiți sau părți în mișcare. Cablurile deteriorate sau încurcate cresc riscul de electrocutare.
- În cazul în care unealta electrică este folosită în aer liber, conectarea trebuie efectuată cu ajutorul prelungitoarelor destinate funcționării în aer liber. Folosirea prelungitorului destinat funcționării în aer liber, micșorează riscul de electrocutare.
- Vă recomandăm să racordați aparatul la o rețea electrică dotată cu un comutator cu curent diferențial (RCD) cu amperaj de acționare de 30mA sau mai mic.
- În cazul în care unealta electrică este folosită în mediu umed, este inevitabilă, utilizarea unui dispozitiv de protecție împotriva tensiunii de alimentare, cum ar fi aplicarea unui dispozitiv de curent rezidual (RCD). Folosirea RCD micșorează riscul

de electrocutare.



ATENȚIE! Avertismente generale cu privire la siguranța folosirii uneltei.

Și siguranță personală:

- Acest echipament nu este destinat utilizării de către persoane (inclusiv copii) cu abilități fizice reduse, senzoriale sau mentale, sau de persoane care nu au experiență sau nu cunosc echipamentul, cu excepția cazului în care are loc sub supraveghere sau în conformitate cu instrucția de folosire a echipamentului, de către o persoană responsabilă pentru siguranța lor.
- Trebuie să fii atent, să aveți grijă ce faceți și să păstrați bun simț în timpul folosirii uneltei electrice. Nu folosiți unealta electrică, când sunteți obosiți sau sub influența drogurilor, alcoolului sau a medicamentelor. Un moment de neatenție în timpul lucrului cu unelata electrică poate cauza vătămări personale grave.
- Folosiți echipament de protecție. Purtați întotdeauna ochelari de protecție. Folosind echipamentul de protecție cum ar fi masca de praf, pantofi cu anti-alunecare, căști sau protecție auditivă, micșorează riscul de vătămare.
- Evitați pornirea accidentală. Înainte de conectarea la sursa de alimentare și/sau înainte de conectarea bateriei și înainte de ridicarea sau mutarea uneltei asigurativă că comutatorul uneltei electrice este în poziția oprită. Mutarea uneltei electrice cu degetul pe comutator sau conectarea uneltei electrice la rețeaua de alimentare în poziția pornită poate provoca un accident.
- Înainte de pornirea uneltei electrice îndepărtați toate uneltele din apropiere. Lăsarea de unelte pe părțile de mișcare ale uneltei electrice poate duce la vătămări corporale.
- Nu vă apliceți prea mult. Trebuie să stați sigur și să mențineți echilibrul. Acest lucru va permite un control mai bun asupra uneltei electrice în situații neașteptate.
- Îmbrăcați-vă corespunzător. Nu purtați haine largi sau bijuterii. Țineți părul strâns, hainele și mânușile departe de părțile în mișcare. Hainele largi, bijuteria sau praful lung se pot agăța de părțile în mișcare.
- Dacă echipamentul este potrivit pentru conectarea extractorului de praf extern și a colectorului de praf, asigurativă că acestea sunt conectate și folosite corect. Folosirea colectorului de praf poate reduce riscul de pericole legate de praf.
- Nu mergeți ca abilitățile obținute prin utilizarea frecventă a sculei electrice să vă facă să vă simțiți prea încrezători în sine și să ignorați regulile de siguranță. Acțiunile necorespunzătoare pot provoca vătămări grave într-o fracțiune de secundă.



ATENȚIE! Avertismente generale cu privire la folosirea în siguranță a uneltei.

Utilizarea și îngrijirea uneltei electrice:

- Nu supraîncărcați unealta electrică. Utilizați o unealtă electrică în funcție de puterea necesară muncii efectuate. Unelata electrică corectă va permite o funcționare mai bună și este sigură în cazul însărcinării, pentru care a fost proiectată.
- Este interzisă utilizarea uneltei electrice dacă comutatorul nu pornește și nu oprește unealta. Fiecare unealtă electrică care nu pornește sau nu se oprește este periculoasă și trebuie reparată.

- c) **Deconectați ștecherul de la sursa de alimentare a unelei electrice și/sau deconectați bateria înainte de orice setare, schimbare de părți sau depozitare. Aceste mijloace de protecție reduc riscul unei porniri accidentale a unelei electrice.**
- d) **Unealta electrică nefolosită trebuie depozitată departe de copii și nu trebuie împrumutată persoanelor care nu cunosc unealta electrică sau care nu au citit această instrucție de folosire a unelei electrice. Unelata electrică este periculoasă când este folosită de o persoană fără experiență.**
- e) **Unelata electrică trebuie bine întreținută. Trebuie controlată alinierea sau bruierea pieselor în mișcare, ruperea pieselor și alți factori care pot avea influență la funcționarea unelei electrice. Dacă găsim o deteriorare, unelata electrică înainte folosirii trebuie reparată. Cauza multor accidente este întreținerea necorespunzătoare a unelei electrice.**
- f) **Uneltele de tăiere trebuie să fie ascuțite și curate. Înțținerea părților ascuțite ale uneltelor de tăiere reduce riscul de blocare în material și ușurează folosirea.**
- g) **Unealta electrică, echipamentul, uneltele de lucru, etc. trebuie folosite în conformitate cu această instrucție, ținând cont de tipul și condițiile de lucru. Utilizarea unelei electrice în alt mod decât este destinația, poate duce la situații periculoase.**
- h) **La temperaturi scăzute, sau după o perioadă îndelungată de nefolosire, este recomandată pornirea unelei electrice fără sarcină pentru câteva minute pentru a distribui corect unsoarea în mecanismul de transmisie.**
- i) **Pentru curățirea unelei electrice folosiți o cârpă moale, umedă (nu udă) și săpun. Nu folosiți benzină, diluanți sau alte mijloace care pot deteriora echipamentul.**
- j) **Unelata electrică trebuie depozitată/transportată numai după ce ne-am asigurat că toate elementele în mișcare sunt blocate și asigurate cu ajutorul elementelor originale destinate blocării.**
- k) **Unelata electrică trebuie păstrată într-un loc uscat, asigurat împotriva prafului și a umezelii.**
- l) **Transportul unelei electrice trebuie să aibă loc în ambalajul original, asigurat împotriva deteriorărilor mecanice.**
- m) **Mănerile și suprafețele de prindere trebuie să fie menținute curate fără ulei și grăsime. Mănerile și suprafețele de prindere alunecoase nu permit ținerea în siguranță și controlul sculei în situații neașteptate.**



ATENȚIE! Avertismente generale cu privire la folosirea în siguranță a unelei.

Repararea:

- a) **Reparații în garanție și postgaranție ale uneltelor dumneavoastră electrice sunt efectuate de Service-ul PROFIX, ceea ce garantează calitatea cea mai ridicată a reparațiilor și utilizarea de piese originale de schimb.**
- b) **Dacă cablul de alimentare este deteriorat, trebuie înlocuit cu unul nou la producător sau într-o unitate de reparații specială sau de către o persoană calificată, pentru a evita pericolele.**



AVERTISMENT!

FERĂSTRĂU CIRCULAR, avertizări referitoare la siguranță:

- a) **Țineți mâinile departe de spațiul de tăiere și de disc. Țineți a doua mână pe mânerul ajutător sau pe carcasa motorului. Dacă țineți ferăstrăul cu ambele mâini atunci ele nu pot fi expuse la rănire cu asea.**
- b) **Nu țineți mâna sub obiectul prelucrat. Carcasa de protecție nu vă poate proteja de disc în partea de sub obiectul prelucrat.**
- c) **Selectați adâncimea de tăiere corespunzătoare pentru grosimea obiectului prelucrat. Se recomandă ca discul să iasă de sub materialul tăiat la o lungime mai scurtă decât înălțimea dintelui.**
- d) **Nu țineți niciodată obiectul pe care îl tăiați în mână sau pe picior. Fixați obiectul prelucrat pe un suport stabil. Fixarea bună a obiectului prelucrat este importantă pentru a evita pericolul de contact cu corpul, blocare a ferăstrăului sau de pierdere a controlului asupra tăierii.**
- e) **Prindeți ferăstrăul de suprafețele izolate destinate pentru acest scop, atunci când lucrați iar ferăstrăul poate intra în contact cu cabluri sub tensiune sau cu propriul cablu de alimentare. Atingerea „cablurilor sub tensiune” poate pune „sub tensiune” piesele metalice ale aparatului electric iar acest lucru poate provoca electrocutarea operatorului.**
- f) **Folosiți ghidajul longitudinal de fiecare dată atunci când efectuați o secțiune longitudinală sau ghidajul pentru margini. Acest lucru îmbunătățește exactitatea de tăiere și scade posibilitatea de blocare a discului.**
- g) **Folosiți mereu discuri cu dimensiuni și formele corespunzătoare ale orificiilor de prindere (de ex. formă de romb sau circulară). Discurile care nu se potrivesc pot începe să funcționeze excentric iar acest fapt poate duce la pierderea controlului de funcționare.**
- h) **Nu folosiți niciodată șuruburi sau șaibe deteriorate ori necorespunzătoare pentru a monta discurile. Șaibele și șuruburile de fixare au fost proiectate special pentru ferăstrăul mecanic, pentru a asigura funcționarea și siguranța optimă a utilizatorului.**

Cauzele de apariție a reculului și modul de prevenire a acestuia:

- reculul constituie ridicarea și retragerea bruscă a ferăstrăului în direcția operatorului pe linia de tăiere și este cauzat de tăierea necontrolată de către discul agățat, prins sau direcționat necorespunzător al ferăstrăului;
- atunci când discul ferăstrăului este agățat sau prins în crăpătură, discul se oprește și reacția motorului provoacă mișcarea bruscă a ferăstrăului în spate, în direcția operatorului;
- atunci când discul ferăstrăului este strâns sau așezat necorespunzător în elementul tăiat, dinții ferăstrăului ies din material și pot lovi suprafața superioară a materialului secționat, iar acest lucru duce la ridicarea ferăstrăului și reculul acestuia în direcția operatorului.

Recul este efectul utilizării necorespunzătoare a ferăstrăului sau se datorează procedurilor ori condițiilor necorespunzătoare de utilizare și poate fi evitat dacă respectați mijloacele de precauție corespunzătoare indicate maijos.

- a) **Țineți strâns ferăstrăul cu ambele mâini, cu brațele așezate în așa fel încât să puteți realiza puterea reculului. Așezați-vă lateral față de ferăstrău, dar nu înspre linia de tăiere. Reculul poate duce la mișcarea bruscă a ferăstrăului în spate, dar forța acestuia poate fi controlată de operator dacă se respectă măsurile de siguranță corespunzătoare.**
- b) **Atunci când ferăstrăul se înțepeneste sau când întrerupe**

tăierea dintr-un anumit motiv trebuie să dați drumul la comutator și să-l țineți nemișcat în material până când discul ferăstrăului nu se oprește definitiv. Nu încercați niciodată să scoateți ferăstrăul din materialul tăiat și nici să nu trageți înapoi ferăstrăul cât timp discul ferăstrăului se mișcă sau poate provoca recul. Verificați și întreprindeți acțiuni de corectare, pentru a elimina cauza de blocare a ferăstrăului.

- c) În cazul în care porniți ferăstrăul în elementul prelucrat centrați discul ferăstrăului în tăietură și verificați dacă dinții discului nu sunt prinși în material. Dacă discul ferăstrăului se înțepenește atunci când îl porniți din nou acesta poate provoca un recul față de piesa prelucrată.
- d) Susțineți plăcile de dimensiuni mari pentru a minimiza riscul de înțepenire și de recul al discului. Plăcile de dimensiuni mari au tendința de a se îndoi datorită propriei mase. Suporturile trebuie să fie amplasate sub placă pe ambele părți, în apropierea liniei de tăiere și în apropierea marginii plăcii.
- e) Nu folosiți discuri tocite sau deteriorate. Discul cu dinții tociți sau ai căruia dinți sunt rău localizați creează o tăietură îngustă care produce frecare excesivă, înțepenirea ferăstrăului și recul.
- f) Fixați bine demele pentru adâncimea de tăiere și unghiul de înclinare al discului înainte de a realiza tăierea. Dacă parametrii selecției ai ferăstrăului se schimbă în timpul tăierii acest lucru poate duce la înțepenirea discului și la recul.
- g) În mod special trebuie să aveți grijă atunci când efectuați o «tăiere adâncă» în pereții existenți sau alte spații închise. Discul care iese în afară poate tăia alte obiecte și astfel poate provoca recul.
- h) Verificați înainte de fiecare utilizare capacul de jos pentru a vedea dacă este amplasat corect. Nu folosiți ferăstrăul în cazul în care capacul de jos nu se mișcă liber și nu se închide imediat. Nu imobilizați și nu lăsați niciodată deschis capacul de jos. În cazul în care ferăstrăul cade din greșeală, capacul de jos se poate îndoi. Ridicați capacul de jos cu mânerul de tragere și verificați dacă se mișcă liber și nu atinge discul sau alte piese pentru toate unghiurile la care poate fi setat și pentru fiecare adâncime de tăiere.
- i) Verificați funcționarea arcului de la capacul de jos. În cazul în care capacul și arcul nu funcționează corespunzător, ar trebui să fie reparate înainte de utilizare. Capacul de jos poate acționa încet datorită pieselor deteriorate, depunerii de secrețiuni lipicioase sau stratificării de sedimente.
- j) Se permite retragerea capacului de jos doar în cazul unor tăieri speciale cum ar fi „tăierea adâncă” și „tăierea combinată.” Ridicați capacul de jos cu mânerul de tragere deoarece în cazul în care discul intră adânc în material, capacul de jos trebuie eliberat. În cazul tuturor celorlalte tăieri capacul ar trebui să funcționeze autonom.
- k) Capacul de jos trebuie să acopere discul înainte de a așeza ferăstrăul pe masa de atelier sau pe podea. Marginea neprotejată a ferăstrăului poate face ca ferăstrăul să se retragă și să taie totul în cale. Fiți conștienți de timpul necesar pentru oprirea ferăstrăului după ce a fost decuplat.



ATENȚIE! Folosiți aparatele pentru aspirarea prafului!

Dacă producătorul a prevăzut un aparat de aspirare și

depozitare a prafului verificați dacă acestea sunt cuplate și montate corespunzător.



ATENȚIONARE!

Trebuie să folosiți echipament de protecție. Trebuie să purtați de fiecare dată o mască antipraf.

Contactul sau inhalarea de praf produs în timpul tăierii pune în pericol sănătatea utilizatorului și eventual a altor persoane din apropierea acestuia. Pentru a vă proteja împotriva prafului și a vaporilor purtați mască antipraf și aveți grijă la siguranța celorlalte persoane care sunt prezente la locul de utilizare a aparatului.



ATENȚIE! Nu folosiți niciun disc pentru ferăstrău cu alte dimensiuni decât cele indicate în prezenta instrucțiune de utilizare.

Folosiți doar discuri de tăiere cu diametru și grosime corespunzătoare, adaptate pentru viteza de rotație a axului acestui ferăstrău.

- Nu utilizați discuri din oțel aliat pentru tăiere rapidă. Aceste discuri se rup cu ușurință.
- Nu folosiți ferăstrăul pentru a tăia metale sau piatră.
- Montați doar discuri ascuțite în stare ideală; înlocuiți imediat discurile fisurate sau îndoit cu unele noi.
- Verificați dacă discul este bine montat și se învârtă în direcția potrivită.



ATENȚIONARE!

Trebuie să folosiți echipament de protecție. Trebuie să purtați de fiecare dată ochelari de protecție.



ATENȚIONARE!

Trebuie să folosiți echipament de protecție. Trebuie să folosiți de fiecare dată protecție auditivă.



AVERTISMENT! Ferăstrău circular, informații suplimentare referitoare la siguranță

Șiguranță personală:

1. Nu puneți cablul de alimentare (26) în sursa de curent până când nu sunteți sigur că:
 - a) sursa de alimentare are parametri corespunzători cu parametrii ferăstrăului circular de pe plăcuță de fabricație,
 - b) discul montat servește pentru tăierea lemnului și a derivatelor lui, și funcționează cu viteza maximă de rotire egală cu 4700 /min.,
 - c) discul de tăiere (14) este montat corect (direcția indicatorilor (19) de pe disc și a celor din cutia de protecție este identică),
 - d) discul de tăiere (14) este ascuțit, în starea tehnică bună, fără lipse, crăpături nici alte neajunsuri.
 - e) întrerupătorul ferăstrăului circular (22) este în poziția „oprit”, iar blocada întrerupătorului (23) și blocada ax (20) sunt slăbite,
 - f) cheia imbus (27) pentru fixarea discului este scoasă din șurubul (15) cu care se fixează discul și se află în afara razei de acționare ale ferăstrăului circular,
 - g) blocadele – cea pentru reglarea adâncimii de tăiere (25), cea pentru reglarea unghiului de tăiere (9) precum și cea de ghidajul de tăiere paralelă (10) – au fost strânse bine,
 - h) protecția discului de tăiere (18) își îndeplinește rolul și rămâne în poziția închisă.
2. Dacă folosiți prelungitorul, asigurați-vă că parametrii lui și secțiunea

transversală corespund parametrilor ferăstrăului circular. Se recomandă utilizarea prelungitorului cât mai scurt. Prelungitorul trebuie desfăcut în întregime.

3. Înainte să porniți ferăstrăul circular, asigurați-vă că în materialul prelucrat nu sunt cui, șuruburi și/sau alte corpuri străine.
4. Niciodată nu blocați protecția ferăstrăului circular (18).
5. Când porniți și lucrați cu ferăstrăul circular, țineți-l cu ambele mâini (3) și (7).
6. Porniți utilajul numai când discul (14) nu atinge obiectul prelucrat.
7. Începeți tăierea când ferăstrăul circular atinge rotațiile lui maxime.
8. Începeți tăierea numai când suprafața piciorului (11) ferăstrăului circular se sprijină sigur de suprafața materialului tăiat.
9. Niciodată nu presați pe ferăstrăul circular cu o forță prea mare. Acesta poate provoca un accident și prin urmare pierderea sănătății sau a vieții sau/și avaria motorului supraîncărcat. Stricarea motorului (arderea bobinajelor) provocată de supraîncărcarea utilajului nu este cuprinsă în reparațiile prevăzute de garanție!
10. Cu ajutorul ferăstrăului circular nu este admis să tăiați pe linia arcului, să prelucrați marginile, să frezați ce poate provoca un accident și prin urmare pierderea sănătății sau a vieții sau/și avaria utilajului a cărui reparația nu este cuprinsă în garanție.
11. După oprirea ferăstrăului circular nu este permis să încetiniți mișcarea discului apăsând cu el pe materialul tăiat.
12. Controlați regulat starea șuruburilor care fixează corpul ferăstrăului circular. În caz de necesitate, înșurubați (șurubelniță Ph3).



13. Ferăstrăul este un aparat dotat cu un indicator cu laser clasa 2 cf. EN 60825. Este interzis privitul înspre fascicolul de laser și dirijarea acestuia direct în ochii oamenilor sau a animalelor. Privitul în fascicolul de laser clasa 2 emis nu este dăunător dacă durează mai puțin de 0,25 s. Reflexul de închidere a pleoapelor este îndeajuns de obicei pentru a asigura protecția necesară. Folosirea de echipament optic, de exemplu ochelari, binoclu nu duce la mărirea riscului de deteriorare a ochilor.

UTILIZARE CONFORM DESTINAȚIEI:

Ferăstrăul circular este destinat pentru tăierea lemnului, placajelor, PAL-ului și a celorlalte materiale de acest gen.

Nu poate fi folosit pentru tăierea sau șlefuirea metalelor sau a pietrelor. De asemenea este interzis să fixați în ferăstrăul circular discuri destinate pentru tăierea sau șlefuirea metalelor sau a pietrelor.

Ferăstrăul circular este adaptat la tăiat în linia dreaptă. Nu poate fi folosit pentru tăiat pe arc.

Pentru utilizarea corespunzătoare cu destinația acestui aparat trebuie să respectați de asemenea și indicațiile referitoare la siguranță și instrucțiunea de montare precum și indicațiile de exploatare din instrucțiunea de utilizare. Persoanele care folosesc și asigură mentenanța aparatului trebuie să citească mai întâi aceste indicații și trebuie să fie conștiente de pericolele potențiale.

Pe lângă acestea trebuie să respectați cu strictețe prevederile legislative referitoare la prevenirea accidentelor (Protecția și Igiena Muncii).

ATENȚIE: Nu expuneți aparatul electric la ploaie sau alte condiții de umiditate.

Se interzice utilizarea necorespunzătoare a ferăstrăului cu destinația

acestui cum a fost indicată mai sus, iar acest lucru duce la pierderea garanției și lipsa de responsabilitate a producătorului pentru pagubele ce apar în urma acestui fapt.

Toate modificările aparatului efectuate de utilizator exceptă producătorul de responsabilitate pentru deteriorările și pagubele provocate utilizatorului și mediului.

Utilizarea corespunzătoare a ferăstrăului se referă de asemenea și la întreținere, depozitare, transport și reparații.

Ferăstrăul poate fi reparat doar în punctele de service menționate de producător. Aparatele cuplate la rețea trebuie să fie reparate doar de persoane autorizate.

Chiar dacă se respectă regulile de utilizare conformă cu destinația aparatului este imposibilă eliminarea în totalitate a anumitor factori de risc rezidual. În funcție de modul de construcție și alcătuirea aparatului pot fi identificate următoarele tipuri de pericol:

- Atingerea discului în zona neacoperită a ferăstrăului.
- Întinderea mâinii către discul în funcțiune (rana tăiată).
- Aruncarea obiectului prelucrat sau a unor părți din obiectul prelucrat.
- Fisurarea/ruperea discului.
- Deteriorarea auzului în cazul în care nu se folosește protecția auditivă necesară.
- Emisiile de praf de lemn dăunător pentru sănătate în cazul în care se efectuează lucrări în încăperi închise.

Aparatul nu este destinat pentru utilizarea profesională, meșteșugărească sau industrială. Contractul de garanție își pierde vigoarea în cazul în care aparatul a fost utilizat în ateliere meșteșugărești, industriale sau alte întreprinderi similare.

ELEMENTE:

- Disc ferăstrău - 1 buc.
- Ghidaj tăiere paralelă - 1 buc.
- Disc tăiere Ø 185 x Ø 20 x 2,5 x 24T-1 buc.
- Cheie hexagonală - 1 buc.
- Baterii pentru alimentare indicatorului cu laser (1,5V «AAA») - 2 buc.
- Perii de carbon - 2 buc.
- Instrucțiunea de folosire - 1 buc.
- Fișa de garanție - 1 buc.

CONSTRUCȚIA UTILAJULUI:

Ferăstrăul circular aparține la clasa a două de securitate (dubla izolare) și funcționează cu un motor monofazat.

Construcția ferăstrăului este prezentată pe peze pe pag. 2-3:

- Des.A:**
1. Ejector de rumeguș
 2. Mănerul protecției discului de tăiere
 3. Măner
 4. Buton pornit/oprit indicator laser
 5. Capacul compartimentului de baterii pentru indicatorul cu laser
 6. Șurub de fixare a capacului
 7. Măner auxiliar
 8. Scara gradare oblică
 9. Șurub de ajustare unghi de tăiere
 10. Șurub de ajustare ghidaj pentru tăierea paralelă
 11. Picior ferăstrău
 12. Orificiu de ieșire fascicol laser
 13. Ghidajul pentru tăiere paralelă

- 14. Disc ferăstrău
- 15. Șurub fixare disc taiere
- 16. Suport
- 17. Piuliță străngere exterioară
- 18. Carcasa oblică a discului de tăiere la poziția:
 - deschisă (des. A),
 - închisă (des. B)
- 19. Săgețile de direcție de circulare a discului de tăiere

Des.B: 20. Pârghie blocadă ax

- 21. Marcaje indicare linie de tăiere la înclinarea piciorului la un unghi de 0° și 45°
- 22. Întrerupător
- 23. Buton de siguranță
- 24. Scară adâncime de tăiere
- 25. Șurub setare adâncime de tăiere
- 26. Cablu de alimentare
- 27. Cheie hexagonală

Des.C: 28. Piuliță străngere interioară

Des.I: 29. Baterii

Este un utilaj universal de ghidaj manual cu o formă compactă și ergonomică. Asigură utilizatorului posibilitatea de a regla adâncimea de tăiere, de a ajusta utilajul la grosimea materialului prelucrat și de a tăia sub diferite unghi (planul de tăiere nu este perpendicular la planul materialului tăiat).

Acest utilaj este sigur datorită autoreglării de ieșiri și de ascunderi a discului de tăiere în timpul funcționării.

Construcția utilajului permite utilizatorului utilizarea simplă a butoanelor, a blocadelor și a mânerelor cu anumite funcțiuni funcționale, de deservire și de conservare.

DATELE TEHNICE:

Tensiunea de alimentare	230-240 V	
Frecvență nominală	50 Hz	
Putere de intrare	1500 W	
Viteză de rotire max.	4700 /min	
Diametru maxim pânze de ferăstrău	185 mm	
Diametru trecere pânze de ferăstrău	20 mm	
Viteză de rotire pânze de ferăstrău, max	≥ 4700 /min	
Adâncime de tăiere (0°/45°), max	65 mm/45 mm	
Unghiul de tăiere	0°~ 45°	
Indicator cu laser:	clasă laser	2
	lungime unde laser	650 nm
	putere laser	≤ 1mW
Clasa echipamentului	II / ▢	
Greutate	4,3 kg	
Lungimea cablului de alimentare	3 m	
Nivelul presiuni acustice (LpA), (K=±3dB(A))	94 dB(A)	
Nivelul puterii acustice (LwA), (K=±3dB(A))	105 dB(A)	
Nivelul de vibrații conform: EN 60745 (incertitudine K=1,5 m/s ²)	4,26 m/s ²	

Nivelul menționat de vibrații este reprezentativ pentru utilizarea aparatului electric. Dacă aparatul electric va fi utilizat pentru alte scopuri sau cu alte instrumente de lucru precum și dacă nu va fi întreținut corespunzător, nivelul de vibrații ar putea diferi de cel indicat. Motivele indicate mai sus pot duce la sporierea nivelului de expunere la vibrații pe toată durata timpului de funcționare.

Trebuie să introducă mijloace adiționale de siguranță, care au scopul de a proteja operatorul de efectele de expunere la vibrații, de ex.: întreținere aparat electric și instrumente de lucru, asigurarea temperaturii corespunzătoare a mâinilor, stabilirea ordinii operațiilor de muncă.

Valoarea totală declarată a vibrațiilor și valorile declarate ale emisiei de zgomot au fost măsurate în conformitate cu metoda standard de testare și pot fi utilizate pentru a compara un dispozitiv cu altul.

Valoarea totală declarată a vibrațiilor și valorile declarate ale emisiei de zgomot pot fi utilizate în evaluarea inițială a expunerii.

Avertismente:

Vibrațiile și emisiile de zgomot în timpul utilizării efective a sculei electrice pot să difere de valorile declarate în funcție de modul în care sunt utilizate unele, în special de tipul piesei prelucrate.

Trebuie determinate măsuri de siguranță pentru protejarea operatorului, care se bazează pe estimarea expunerii în starea reală de utilizare (luând în considerare toate părțile ciclului de operare, cum ar fi timpul în care instrumentul este oprit și când funcționează în ralanti, cu excepția timpului de deconșare).

UTILIZAREA FERĂSTRĂULUI CIRCULAR:

1. Înainte de utilizare, verificați starea discului de tăiere, pentru a evita supraîncărcarea și funcționarea greșită a ferăstrăului circular.
2. Începeți munca desenând linia de tăiere pe material.
3. Aparatul este dotat cu un buton de siguranță (23), care previne pornirea accidentală a ferăstrăului. Pentru a porni ferăstrăul trebuie mai întâi să apăsați butonul de siguranță iar mai apoi să apăsați butonul de pornire a ferăstrăului (22) și să-l țineți în această poziție. Lăsați ca ferăstrăul să atingă turația maximă.
4. Puneți piciorul ferăstrăului circular (11) pe materialul tăiat în așa fel ca suprafața piciorului să atingă ferm la suprafața materialului prelucrat, iar indicatorul liniei de tăiere (21) să fie deasupra acestei linii.
5. În timpul utilizării ferăstrăului circular (mișcarea glisantă spre față), protecția discului (18) va descoperi treptat discul, pentru a înlesni tăierea materialului. Arcul de revenire al protecției va plasa protecția la loc când discul va ieși din materialul tăiat.
6. Ferăstrăul circular trebuie dus exact pe o linie dreaptă. Ghidarea ferăstrăului circular pe o linie care nu e dreaptă ridică rezistența de frecare și poate duce la blocarea discului. Aceasta poate duce la arderea bobinajelor motorului și pierderea drepturilor de garanție, sau chiar la un accident grav.
7. La sfârșire de tăiere cu ferăstrăul circular trebuie să:
 - a) scoateți discul în rotații în întregime din materialul prelucrat,
 - b) slăbiți butonul întrerupătorului (22),
 - c) așteptați până când discul ferăstrăului circular încetează să rotească,
 - d) puneți utilajul într-un loc sigur.
8. Terminarea folosirii ferăstrăului circular, după executarea acțiunilor din punctul 7 constă în:
 - a) scoaterea cablului de alimentare din sursa de alimentare,

- b) curățarea ferăstrăului circular din rumeguș și praf,
- c) punerea ferăstrăului circular într-un loc în afara accesului persoanelor terțe (ex. copii).

ÎNLOCUIREA DISCULUI DE TĂIERE:



ATENȚIE: Înainte de a începe înlocuirea discului de tăiere trebuie să decuplați aparatul de la sursa de alimentare și să așteptați până ce discul se oprește.

Atunci când montați discul trebuie să folosiți mănuși de protecție. Prin contact cu discul poate apărea pericolul de rănire.

Trebuie să folosiți numai discuri pentru ferăstrău ai căror parametri sunt conformi cu informațiile nominale din această instrucțiune de utilizare.

În niciun caz nu folosiți discuri pentru șlefuit drept unelte de lucru.

Desenul C de pe pag. 3 prezintă elementele de montare a discului de tăiere (14) pe axul mașinii:

15. Șurub cu locaș hexagonal

16. Piuliță șurub

17. Piuliță de strângere exterioră

28. Piuliță de strângere interioară

Pentru a înlocui discul trebuie să:

– Apăsăți pârghia blocadei pe ax (20) și să o țineți în această poziție. Deșurubați cu o cheie hexagonală (27) șurubul de montare (15) (des. D, pag. 3).

ATENȚIE: Pârghia blocadei pe ax (20) poate fi apăsată doar când axul nu este pornit. În caz contrar există pericolul de deteriorare a aparatului electric.

– Cu mânerul carcasei (2) trageți carcasa în spate și țineți-o așa. Scoateți piulița exterioră de strângere și discul de tăiere (14) de pe arborele aparatului (des. E, pag. 3).

ATENȚIE: Nu scoateți piulița interioară de strângere (28); în cazul în care aceasta cade trebuie să o montați la loc cu partea plată înspre exterior față de carcasa aparatului.

Montajul pilei în ordinea opusă celei prezentate aici mai sus. Când puneți discul de tăiere, faceți atenție ca direcția rotațiilor să fie în conformitate: săgețuța de pe disc trebuie să aibă aceeași direcție ca săgețuța de pe protecția discului.

FIXAREA ADÂNCIMII DE TĂIERE (des. F):

Executarea tăieturilor de adâncime mai mică decât grosimea materialului prelucrat este posibilă dacă reglați adâncimea dorită de tăiere prin înșosirea piciorului (11) ferăstrăului până la poziția potrivită.

Deconectați ferăstrăul circular de la sursă de alimentare. Slăbiți șurubul (25) care reglează adâncimea tăierii cu ferăstrăul circular. Mutați piciorul spre jos până la adâncimea dorită de tăiere. Blocați șurubul (25).

FIXAREA UNGHIIULUI DE TĂIERE (des. G):

Ferăstrăul circular permite tăierea înclinată față de plan cu unghiul între 0° ~ 45°. În acest scop trebuie să fixați piciorul ferăstrăului (11) corespunzător în poziția dorită.

Deconectați ferăstrăul circular de la sursă de alimentare. Slăbiți șurubul (9) care fixează piciorul. Poziționați piciorul ferăstrăului sub unghiul dorit. Blocați poziția respectivă înșurubând șurubul.

FOLOSIREA GHIDAJULUI DE TĂIERE PARALELĂ (des. H):

Ghidajul (13) permite tăierea paralelă la marginea materialului prelucrat.

Deconectați ferăstrăul circular de la sursă de alimentare. Introduceți ferăstrăul circular în fisurile din fața piciorului ferăstrăului.

Ajustați lățimea dorită de tăiere. Blocați ferăstrăul circular cu ajutorul șurubului (10). Începeți tăiere.

INDICATOR CU LASER:

Indicatorul cu laser indică linia de tăiere. Pe suprafața obiectului prelucrat trebuie să marcați direcția cerută de tăiere, iar în timpul tăierii să mișcați fasciculul de laser de-a lungul liniei marcate.

Laserul este alimentat cu două baterii tip AAA 1,5V fiecare. Trebuie să desfiletați șurubul de fixare (6) și să dați jos capacul indicatorului cu laser (5). Montați bateriile în soclul recipientului conform polarizării acestora (+) și (-) (des. I). Apoi închideți soclul cu capacul și fixați cu șurubul.

Pentru a porni sau opri indicatorul cu laser trebuie să apăsați butonul pentru pornire/oprire (4) (des. A).

Verificați înainte de a începe tăierea dacă linia de tăiere este indicată corespunzător. Indicatorul cu laser se poate mișca datorită vibrațiilor în timpul utilizării intensive a aparatului electric.

ATENȚIE: După fiecare utilizare a ferăstrăului trebuie să opriți indicatorul cu laser.

CONSERVARE, PĂSTRARE ȘI TRANSPORT:

Unealta nu necesită o întreținere specială. Unealta trebuie depozitată într-un loc uscat, nu la îndemâna copiilor, trebuie menținută curată, protejată de umezeală și praf. Condițiile de depozitare trebuie să elimine posibilitatea de deteriorare mecanică sau efectele nocive ale diferitelor condiții atmosferice.

După utilizare, să recomandă curățarea ferăstrăului din rumeguș și praf. În acest scop descoperiți discul de tăiere (13) apăsând pe mânerul protecției discului de tăiere (2).



ATENȚIE: Mânerul poate fi folosit numai în timpul operațiunilor de conservare și de deservire, după deconectarea utilajului de la sursa de alimentare.

După utilizare în mediul cu mult praf, se recomandă curățarea orificiilor de ventilare cu aerul comprimat - pentru a evita uzarea sporită a lagărelor și a elimina praful care blochează fluxul aerului care răcește motorul.

Petele la vedere în orificiul de ieșire al fasciculului de laser (12) precum și lentilele, trebuie să atenție șterse cu ajutorul unui tampon de vată, folosind substanțe de curățare a sticlei.

Ferăstrăul circular se transportă și se păstrează în ambalajul care protejează de umiditate și de praf - puneți grijă în special pe orificiile de ventilare. Elementele mărunte care intră sub carcasă pot strica motorul. În caz de probleme tehnice, vă rugăm să contactați un service autorizat.

PROTECȚIA MEDIULUI:



ATENȚIE: Simbolul prezentat înseamnă interdicția punerii echipamentelor uzate împreună cu celelalte deșeuri menajere (sub risc de amendă). Componente periculoase care fac parte de utilaje electrice și electronice dăunează mediul natural și sănătatea omului.

Fiecare menaj ar trebui să participe la recuperarea și reciclarea utilajelor uzate. În Polonia și în Europa se formează sau există deja niște sisteme de colectare a utilajelor uzate, în cadrul căruia toate punctele de vânzare ale utilajelor citate sunt obligate să primească utilajele uzate înapoi. În plus, există și punctele specializate în colectarea asemenea utilajelor.

PRODUCĂTOR:

PROFIX Sp z o.o., ul. Marywilka 34, 03-228 Warszawa, POLONIA

Prezentul utilaj este făcut conform normelor naționale și europene, precum și indicilor de siguranță.

ATENȚIE: Toate reparațiile trebuie efectuate de un personal calificat, folosindu-se piesele de schimb originale.

PICTOGRAME:

Explicațiile imaginilor de pe tabelul nominal și de pe etichetele informative:



– **ATENȚIONARE!** Înainte de cuplare și de a începe operarea trebuie să citiți prezenta instrucțiune



– Folosiți întotdeauna ochelari de protecție.



– Întotdeauna utilizează masca de praf.



– Folosiți mijloace de protecție auditivă.



Politica firmei PROFIX este aceea de perfecționare continuă a produselor sale și de aceea firma își rezervă dreptul de modificare a specificației produsului fără înștiințarea anterioară. Imaginile indicate în instrucțiunile de utilizare sunt doar exemple și se pot diferi puțin de aspectul real al dispozitivului achiziționat.

Prezenta instrucțiune este protejată prin dreptul de autor. Copierea/inmulțirea fără acordul în scris al firmei PROFIX Sp. z.o.o. este interzisă.




LIETOŠANAS INSTRUKCIJA ROKAS RIPZĀĪS VZP1500 Oriģinālās instrukcijas tulkojums



PIRMS DARBA SĀKUMA NEPIECIEŠAMS IEPAZĪTIES AR ŠO INSTRUKCIJU.

Saglabā instrukciju vārbutēvai turpmākai lietošanai.

BRĪDINĀJUMS! Nepieciešams izlasīt visus brīdinājumus apzīmētus ar simboliem , kuri attiecas uz lietošanas drošību un visus lietošanas drošības norādījumus.



Neievērojot zemāk uzrādītos drošības brīdinājumus un norādījumus attiecībā uz drošību var būt par elektriskās strāvas triecienu, ugunsgrēku un/vai nopietnu traumu iemeslu.

Ievērot visus brīdinājumus un norādījumus attiecībā uz drošību, lai tos turpmāk varētu izmantot.

Zemāk uzrādītos brīdinājumus „elektroinstruments” nozīmē elektroinstrumentu, kurš tiek barots no elektriskā tīkla (ar barošanas vadu) vai elektroinstruments barots no akumulatora (bezvadu).



BRĪDINĀJUMS! Vispārējie instrumenta drošas lietošanu norādījumi.

Darba vietas drošība:

- Darba vietā nepieciešams uzturēt kārtību un labu apgaismojumu.** Nekārtība un silks pagaismojums ir negadījumu iemesls.
- Nedrīkst lietot elektroinstrumentu sprāgstošā, viegli uzliesmojošā, gāzu putekļainā vidē.** Elektroinstrumenta darbības laikā rodas dzirksteles, no kurām var aizdegties putekļi un tvaiki.
- Vietā, kur tiek lietoti elektroinstrumenti nevar atrasties bērni un novērotāji.** Novēršot uzmanību var zaudēt kontroli par elektroinstrumentu.



BRĪDINĀJUMS! Vispārējie instrumenta drošas lietošanu norādījumi.

Elektriskā drošība:

- Elektroinstrumenta kontaktdakšīnām jābūt pielāgotām pie kontaktlīdždām.** Nekad nekādā gadījumā nedrīkst mainīt kontaktdakšīņu. Nedrīkst lietot nekādus pagarinātājus gadījumā, ja elektroinstruments ir apgādāts ar vadu ar aizsardzības iezemējuma dzislu. Ja netiek darītas kontaktdakšīņu un kontaktlīdžu izmaiņas, tas samazina elektriskā triecienu risku.
- Nepieciešams izvairīties no iezemētām virsmām vai savienotām ar masu, kā piemēram caurules, sildītāji, centrālāpkaures radiatoru un dziesinātāji.** Gadījumā, ja netiek kontakts ar iezemētām vai ar masu savienotām daļām pieaug elektriskās strāvas triecienu risks.
- Nedrīkst pakļaut elektroinstrumentus uz lietus vai mitruma iedarbību.** Gadījumā, ja elektroinstrumentā iekļūst ūdens pieaug elektriskās strāvas triecienu risks.
- Nedrīkst pārslogot savienojuma vadus.** Nekad nedrīkst lietot savienojuma vadu elektroinstrumenta pārnēsāšanai, vilkšanai vai izvilkt kontaktdakšīņu no kontaktlīdždas aiz vada. Nepieciešams turēt savienojuma vadu tālu no siltuma avotiem, eļļainām, asām šķautnēm vai kustīgām daļām. Būjāti vai sapīti savienojuma vadi palielina elektriskās strāvas triecienu risku.
- Gadījumā, ja elektroinstruments tiek lietots ārpusē, savienojuma vadus nepieciešams pagarināt ar pagarinātājiem, kuri ir piemēroti darbam ārpusē.** Lietojot pagarinātājus piemērotus darbam ārpusē samazinās elektriskās strāvas triecienu risks.
- Ieteicams ierīci pievienot pie elektriskā tīkla, kurš ir aprīkots ar**

RCD slēdzi ar 30mA vai mazāku izslēgšanas strāvu.

- Gadījumā, ja ir nepieciešamība lietot elektroinstrumentu mitrā vidē, par sprieguma aizsardzību nepieciešams lietot strāvas starpības ierīci (RCD).** Lietojot RCD samazinās elektriskās strāvas triecienu risks.



BRĪDINĀJUMS! Vispārējie instrumenta drošas lietošanu norādījumi.

Individuālā drošība:

- Šī ierīce nav pamērota lietot cilvēkiem (tai skaitā bērniem) ar ierobežotām fiziskām, jūtības un psihiskām spējām, vai cilvēkiem bez ierīces darbības pieredzes vai zināšanām, izņemot, ja tas notiek uzraudzībā vai saskaņā ar ierīces lietošanas instrukciju, ar kuru ir iepazinūšās par drošību atbildīgas personas.**
- Elektroinstrumenta lietošanas laikā nepieciešams būt tālredzīgiem, novērot kas notiek un saglabāt skaidru saprātu.** Nedrīkst lietot elektroinstrumentu noguruma laikā vai narkotisku vielu, alkohola vai zāļu iedarbībā. Neuzmanības mirklis strādājot ar elektroinstrumentu var radīt nopietnas ķermeņa traumas.
- Nepieciešams lietot individuālos aizsardzības līdzekļus. Vienmēr nepieciešams lietot aizsargbrilles.** Lietojot attiecīgos apstākļos aizsardzības līdzekļus, tādas kā putekļu maskas, neslidošus apavus, ķiveres vai dzirdes aizsardzības līdzekļus, samazināsies individuālais traumas risks.
- Nepieciešams izvairīties no neparedzētām kustībām.** Pirms pieslēgšanas pie barošanas avota un/vai pirms akumulatora pieslēgšanas kā arī pirms tam, kad paceļam vai pārceļam ierīci nepieciešams pārliecināties, ka elektroinstrumenta slēdzis atrodas izslēgšanas stāvoklī. Pārnēsāt elektroinstrumentu ar pirkstu uz slēdža vai barošanas tīklā pieslēgtu elektroinstrumentu pie ieslēgta slēdža var būt par negadījuma iemeslu.
- Pirms elektroinstrumenta palaišanas nepieciešams novākt visas atslēgas.** Atslēga atstāta rotējošā elektroinstrumenta tuvumā var radīt individuālas traumas.
- Nedrīkst pārlieku tālu izliecties.** Visu laiku nepieciešams stāvēt stabili un saglabāt līdzsvaru. Tas dos iespēju neparedzētās situācijās labāk kontrolēt elektroinstrumentu.
- Nepieciešams attiecīgi ģērbties.** Nedrīkst nēsāt vaļīgas apģērbus vai rotas lietas. Nepieciešams turēt savus matus, apģērbu un cimdus tālu no kustīgām daļām. Vaļīgs apģērbs, rotas lietas vai gari mati var tikt aizķerti ar kustīgām daļām.
- Ja ierīce ir pielāgota ārējai putekļu sūkšanai un putekļu uzsūkšanai, nepieciešams pārliecināties, ka tie ir pieslēgti un pareizi lietoti.** Lietojot putekļu sūcēju var samazināt putekļu ieelpošanas bīstamību.
- Nedrīkst pieļaut, lai iemaņas iegūtas bieži lietojot elektroinstrumentu samazinātu mūsu modrību un drošības noteikumu ignorēšanu.** Bezrūpīga rīcība var izraisīt nopietnus ievainojumus sekundes laikā.



BRĪDINĀJUMS! Vispārējie instrumenta drošas lietošanu norādījumi.

Lietošana un gādība par elektroinstrumentu:

- Nedrīkst pārslogot elektroinstrumentu.** Nepieciešams piemērot elektroinstrumentu veiktajam darbam. Pareizs

elektroinstruments nodrošinās labāku un drošāku darbu pie slodzes, kādam tas tika projektēts.

- b) **Nedrīkst lietot elektroinstrumentu, ja slēdzis to neieslēdz un neizslēdz.** *Katrs elektroinstruments, kuru nevar ieslēgt vai izslēgt ar slēdzīr bīstams un to nepieciešams labot.*
- c) **Nepieciešams atvienot elektroinstrumenta kontaktdakšīņu no barošanas avota un/vai atslēgt akumulatoru pirms tiek veikta jebkāda uzstādīšana, detaļu maiņa vai instrumenta glabāšana.** *Tādas drošības darbības reducē neparedzētu elektroinstrumenta palaišanu.*
- d) **Nelietotu elektroinstrumentu nepieciešams glabāt bērnēm nepieejamās vietās un nedrīkst atļaut personām, kuras nav iepazinušas ar elektroinstrumentu vai šo lietošanas instrukciju lietot elektroinstrumentu.** *Elektroinstrumenti ir bīstami neapmācītu lietotāju rokās.*
- e) **Elektroinstrumentu nepieciešams konservēt.** *Nepieciešams pārbaudīt asu sakrītību vai kustīgo daļu iekļīšanās, detaļu plīsumus un visus apstākļus, kuri varētu ietekmēt elektroinstrumenta darbu. Ja tiek konstatēts bojājums, elektroinstrumentu pirms lietošanas nepieciešams salabot. Daudzu negadījumu iemesls ir nepareiza elektroinstrumenta konservācija.*
- f) **Griezejīnstriem jābūt asiem un tīriem.** *Attiecīgi uzturēti asi griezejīnstriem samazina iekļīšanās iespējas un atvieglo apkalpošanu.*
- g) **Elektroinstrumentu, aprīkojumu, darba instrumentus un tml. nepieciešams lietot saskaņā ar šo instrukciju, ņemot vērā darba apstākļus un veicamo darbu.** *Lietot elektroinstrumentu tam neparedzētā veidā var novest pie bīstamām situācijām.*
- h) **Zemās temperatūrās vai pēc ilgāka nelietošanas laika, ieteicams uz pāris minūtem ieslēgt elektroinstrumentu bez slodzes, lai piedziņas mehānismā sāktu pareizi darboties smērēļa.**
- i) **Elektroinstrumentu tīrīšanai lietot mitru, mitru (ne slapju) drānu un ziepes.** *Nelietot benzīnu, šķīdinātājus un citus līdzekļus, kuri varētu sabojāt ierīci.*
- j) **Elektroinstrumentu nepieciešams glabāt / transportēt iepriekš pārliecinoties, ka visas kustīgās daļas ir nobloķētas un nodrošinātas pret atbloķēšanos ar oriģināliem šim nolūkam paredzētiem elementiem.**
- k) **Elektroinstrumentu nepieciešams glabāt sausā, no putekļiem un mitruma sargātā vietā.**
- l) **Elektroinstrumenta transportēšanu jāveic oriģinālā iepakojumā, kurš pasargā no mehāniskiem bojājumiem.**
- m) **Rokturus un satveršanas virsmas nepieciešams uzturēt tīras, bez eļļas un smēres.** *Neparedzētās situācijās slideni rokturi un satveršanas virsmas nedod iespēju droši turēt un kontrolēt instrumentu.*



BRĪDINĀJUMS! Vispārējie instrumenta drošas lietošanu norādījumi.

Remonts:

- a) **Savu elektroinstrumentu garantijas un pēcgarantijas remontus veic PROFIX serviss, kas garantē visaugstāko**

remontu kvalitāti kā arī tiek izmantotas oriģinālas rezerves daļas.

- b) **Ja barošanas vads tiek bojāts, to nepieciešams apmainīt pie ražotāja vai specializētā remonta darbnīcā, vai arī to jāveic kvalificētai personai, lai novērstu bīstamību.**



BRĪDINĀJUMS!

ROKAS RIPZĀGĪS, drošības brīdinājumi:

- a) **Rokas turēt tālu no griešanas zonas un zāģa.** *Otro roku turēt uz palīgrokta vai dzinēja korpusa. Ja zāģi tur ar abām rokām, tad tās nav apdraudētas zāģa ievainojumam.*
- b) **Nelikot rokas zem apstrādājamā priekšmeta.** *Pārsegs nevar pasargāt no zāģa zem apstrādājamā priekšmeta.*
- c) **Griešanas dziļumu uzstādi atbilstoši apstrādājamā priekšmeta biežumam.** *Ieteicams, lai diska zāģis izietu zem apstrādājamā materiāla mazāk par zoba augstumu.*
- d) **Nekad neturēt apstrādājamo priekšmetu rokās vai uz kājas.** *Apstrādājamo priekšmetu nostiprināt stabilā pamatnē. Ir svarīgi labi nostiprināt apstrādājamo priekšmetu, lai novērstu bīstamo kontaktu ar ķermeni, zāģa iekļīšanos vai arī griešanas kontroles zaudēšanu.*
- e) **Darba laikā, kad zāģis var būt kontaktā ar zem sprieguma esošiem vadiem vai ar paša barošanas vadu, zāģi turēt aiz šim nolūkam paredzētās izolētās virsmas.** *Kontakts ar „sprieguma vadiem” var radīt ka „zem sprieguma” atradies arī elektroinstrumenta metāla daļas, kā rezultātā operators var dabūt elektriskās strāvas triecienu.*
- f) **Garengriešanas laikā vienmēr lietot garengriešanas vadotni vai šķautņu vadotni.** *Tas uzlabo griešanas precizitāti un samazina zāģa iekļīšanās iespēju.*
- g) **Vienmēr lietot pareiza izmēra un attiecīgas stiprināšanas formas zāģus (piem. romba vai apaļas formas).** *Zāģi, kuri nav piemēroti stiprināšanas vārpstai darba laikā var vibrēt, radot darba kontroles zaudēšanu.*
- h) **Nekad stiprināšanai nelietot bojātus zāģus vai nepareizus paliktnis vai skrūves.** *Diska zāģa stiprināšanas paliktņi un stiprināšanas skrūves ir speciāli projektētas zāģim, lai nodrošinātu optimālo funkcionēšanu un lietošanas drošību.*

Atmešanas iemesli un atmešanas novēršana:

— aizmugures atmešana tā ir negaidīta zāģa pacelšanās un kustība operatora virzienā griešanas līnijā, kuru rada nepareizi vadīts, iekļīlēts vai aizķerts zāģis nekontrolētas griešanas rezultātā;

— kad diska zāģis ir aizķerts vai iekļīlēts spraugā, diska apstājas un dzinēja reakcija rada, ka zāģis negaidīti iet uz aizmuguri, operatora virzienā;

— ja zāģis ir deformēts vai slukti uzstādīts apstrādājamā elementā, zāģa zobi izejot no materiāla var trāpīt pa apstrādājamā materiāla augšējo virsmu radot zāģa pacelšanos un atmešanu operatora virzienā.

Aizmugures atmešana ir nepareiza zāģa lietošanas vai nepareizu procedūru lietošanas rezultāts, vai arī lietošanas apstākļu rezultāts un to var novērst lietojot attiecīgus zemāk uzrādītus drošības līdzekļus.

- a) **Turēt zāģi stipri ar abām rokām, plecus novietot tā, lai**

izturētu iespējamo aizmugures atmešanas spēku. Ķermeņa stāvokli ieņemt vienā zāga pusē, bet ne griešanas līnijā. Aizmugures atmešana var radīt negaidītu zāga aizmugures kustību, bet operators var kontrolēt aizmugures atmešanas spēku, ja tiek ievēroti attiecīgi drošības līdzekļi.

- b) Kad diska zāģis iekļējas vai kaut kāda iemesla dēļ pārtrauc griešanu nepieciešams atbrīvot slēdzi un nekustīgi turēt zāģi materiālā līdz zāģis pilnībā apstāsies. Nekad nemēģināt izņemt zāģi no apstrādājamā materiāla, un nevilkt zāģi uz aizmuguri, kad griezējdiskis ir kustībā, jo var notikt aizmugures atmešana. Konstatēt un pielietot korigējošu darbību, lai likvidētu zāga iekļēšanās iemeslu.
- c) Gadījumā, ja apstrādājamā elementā atkārtoti ieslēdz zāģi, izveidotā rievā centrēt zāga disku un pārbaudīt, vai zāga zobi nav iekērušies materiālā. Ja zāga diska ķīļējas, kad zāģis tiek atkārtoti ieslēgts, tas var izlekt vai radīt aizmugures atmešanu attiecībā pret apstrādājamo elementu.
- d) Liela izmēra plāksnes atbalstīt, lai samazinātu iekļēšanās risku un diska zāga aizmugures atmešanu. Lielām plāksnēm to pašvara iedarbībā ir ločšanās tendence. Atbalstiem jābūt novietotiem zem plāksnes abās pusēs, plāksnes griešanas līnijas un gala šķautnes tuvumā.
- e) Nelietot neasus un bojātus zāģus. Neasi vai nepareizi uzstādīti zāga zobi veido šauru rievu radot pārmērīgu rievēšanu, zāga iekļēšanās un aizmugures atmešanu.
- f) Pirms griešanas veikšanas stabili uzstādīt griezējdiska griešanas dziļuma un slīpuma leņķa fiksatorus. Ja zāga uzstādīšana mainās griešanas laikā var notikt iekļēšanās un aizmugures atmešana.
- g) Īpaši uzmanīties veicot «dziļo griešanu» esošajās sienās vai citās slēgtās vietās. Ārpus izejošie zāģi var griezt citus priekšmetus, radot aizmugures atmešanu.
- h) Pirms katras griešanas pārbaudīt apakšējo pārsegu, vai ir pareizi uzbrīdīts. Nelietot zāģi, ja apakšējais pārsegs brīvi nepārvietojas un uzreiz neaizveras. Nekad nebloķēt un neatstāt apakšējo pārsegu atvērtā stāvoklī. Ja zāģis nokrīt, apakšējais pārsegs var saliekties. Pacelt apakšējo pārsegu ar atvilkšanas rokturi un pārliecināties vai tas brīvi pārvietojas un nepieskaras pie zāga vai citām daļām katrā slīpuma leņķī un griešanas dziļumā.
- i) Pārbaudīt apakšējā pārsega atsperes darbību. Ja pārsegs un atspere pareizi nedarbojas, tos pirms lietošanas jāsalabo. Apakšējā pārsega lēna darbība var būt bojātu detaļu, lipīgu nosēdumu vai sakrājušos griešanas atlikumu iemesls.
- j) Pieļaujams ar atvērtu apakšējo pārsegu veikt tikai speciālo griešanu, tādu kā „iedziļināto griešanu” un „salikto griešanu.” Pacelt apakšējo pārsegu ar atbaidāmā roktura palīdzību un kad zāģis iedziļinās materiālā, apakšējo pārsegu jāatbrīvo. Veicot visas pārējās griešanas apakšējam pārsegam jādarbojas patstāvīgi.
- k) Vienmēr novērot vai apakšējais pārsegs nosedz zāģi pirms noliekam zāģi uz darba galdā vai grīdas. Nenodrošināts zāģis radīs, ka zāģis pārvietosies uz aizmuguri griezot visu kas atradīsies pa ceļam. Ņemt vērā laiku kāds nepieciešams, lai zāģis apstātos pēc izslēgšanas.



UZMANĪBU! Lietot putekļu sūcēja ierīci!

Ja ražotājs paredzējis putekļu sūkšanas vai putekļu uzkrāšanas ierīces, pārliecināties, vai tās ir pieslēgtas un pareizi uzstādītas.



BRĪDINĀJUMS!

Nepieciešams lietot aizsardzības aprīkojumu. Vienmēr nepieciešams lietot putekļu maskas.

Kontakts vai putekļu ieelpošana, kuri rodas zāģēšanas laikā apdraud lietotāja un tuvumā atrodošos citu cilvēku veselību. Aizsardzībai pret putekļiem un tvaikiem lietot putekļu aizsardzības masku un parūpēties arī par citu darba vietas tuvumā atrodošos personu drošību.



UZMANĪBU! Nelietot nekādus diska zāģus, kuriem ir citi izmēri, nekā uzrādīti šīn lietošanas instrukcijā.

Lietot tikai attiecīga diametra un biežuma diska zāģus, piemērotus zāga vārpstas apgriezīenu ātrumam.

• Nelietot cietskausējuma ātrgriezējēterauda diska zāģus. Šī tipa zāģi viegli plīst.

• Nelietot diska zāģus metālam un akmeņiem.

• Uzstādīt tikai asus griezējdiskus, kuri ir ideālā stāvoklī; plīsusus vai deformētus nekavējoties apmainīt pret jauniem.

• Pārbaudīt, vai diska zāģis ir labie stiprināts un griežas attiecīgi virzienā.



BRĪDINĀJUMS!

Nepieciešams lietot aizsardzības aprīkojumu. Vienmēr nepieciešams lietot aizsargbrilles.



BRĪDINĀJUMS!

Nepieciešams lietot aizsardzības aprīkojumu. Vienmēr nepieciešams lietot dzirdes aizsardzības līdzekļus.




BRĪDINĀJUMS! Rokas ripzāģis, papildu drošības brīdinājumi

Individuālā drošība:

1. Nepievienot barošanas vadu (26) pie strāvas avota līdz nepārliecināties, ka:

- barošanas avotam ir parametri atbilstoši parametriem uzrādītiem uz zāga plāksnītes,
- uzstādīts diska zāģis kokam vai kokveidīgiem materiāliem ar pieļaujamiem, maks. apgriezieniem vienādiem vai lielākiem par 4700/min,
- griezējdiskis (14) ir pareizi un droši nostiprināts, vai sakrīt bultīņu virziens (19) uz griezējdiska un pārsega korpusa,
- griezējdiskis (14) ir ass, labā tehniskā stāvoklī, bez jebkādiem bojājumiem, plīsumiem, izrāvumiem.
- zāga slēdzis (22) atrodas izslēgšanas stāvoklī, bet slēdža bloķēšana (23) un vārpstas bloķēšana (20) ir atbrīvota,
- sešstūra gala atslēga (27) diska stiprināšanai ir izņemta no diska stiprināšanas skrūves (15) ligzdas un atrodas ārpus zāga darbības lauka,
- bloķēšana ir stipri pieskrūvēta: - griešanas dziļuma regulācija (25), - griešanas leņķa regulācija (9), - paralēlās griešanas vadotne (10).
- griezējdiska pārsegs (18) darbojas un atrodas aizvērtā stāvoklī.

2. Strādājot ar pagarinātāju nepieciešams pārliicināties, ka pagarinātāja parametri, vadu šķērs griezumam, atbilst zāga parametriem. Ieteicams lietot pēc iespējas īsus pagarinātājus. Pagarinātājam jābūt pilnībā atītam.
3. Pirms zāga ieslēgšanas nepieciešams pārliicināties, ka apstrādājamā materiālā nav naglu, skrūvju un/vai citu svešu elementu.
4. Aizliegts bloķēt griezējdiska pārsegu (18).
5. Pirms zāga ieslēgšanas un strādājot ar zāgi nepieciešams to turēt aiz abiem rokturiem (3) un (7).
6. Ieslēgt mašīnu tikai tad, kad disks (14) nepieskaras pie apstrādājamā elementa.
7. Griešanu sākt, kad zāģis sasniedz maksimālos apgriezienus.
8. Griešanu veikt tikai tad, kad zāga pamatnes (11) virsma stabili balstās uz apstrādājamā materiāla virsmas.
9. Griešanas laikā uz zāģi nekad nelietot pārmērīgu spēku. Tas var radīt negadījumu ar veselības vai dzīvības zaudēšanas bīstamību un/vai sabojāt pārslodgotu dzinēju. Dzinēja bojājums (tinumu sadegšana) izraisīs mašīnas pārslodzes rezultātā nav pakļauts garantijas remontam!
10. Ar zāģi nedrīkst veikt loka griešanu, šķautņu apstrādi, frēzēšanu, par cik tas var radīt negadījumu ar veselības vai dzīvības zaudēšanas bīstamību un/vai mašīnas sabojāšanu, kurš nav pakļauts garantijas remontam.
11. Pēc zāga izslēgšanas nekad nedrīkst bremzēt diska kustību piespiežot to pie apstrādājamā materiāla.
12. Nepieciešams kontrolēt zāga korpusa stiprināšanas skrūves. Nepieciešamības gadījumā pieskrūvēt (gala atslēga Ph3).
13.  Diska zāģis ir ierīce aprīkota ar lāzera rādītāju, 2 klases lāzers atbilstoši EN 60825. Nedrīkst skatīties lāzera kūli un virzīt lāzera kūli uz cilvēkiem kā arī dzīvniekiem tieši acīs. Skatīties 2 klases emitētā lāzera starā nav kaitīgi, ja tas ilgst ne ilgāk kā 0,25 s. Acu plakstiņu aizvēršanas reakcija būtība dod pietiekamu aizsardzību. Lietojot optiskās ierīces, piem. brilles, binoklus nerada paaugstinātu acu traumu rašanās risku.

PIELIETOJUMS:

Diska zāģis ir instruments paredzēts koka, finiera, skaidu plākšņu un tamlidzīgu kokveidīgu materiālu griešanai.

To nedrīkst lietot metāla vai akmens griešanai, slipēšanai kā arī nedrīkst uzstādīt diskus paredzētus metāla vai akmens griešanai, slipēšanai.

Zāģis ir paredzēts taisnlinijas griešanai. Tas nav piemērots loka griešanai.

Lietošana saskaņā ar pielietojumu attiecas arī uz drošības norādījumu kā arī montāžas instrukcijas ievērošanu, un apkalpošanas instrukcijas ekspluatācijas norādījumiem. Personām, kuras ierīci apkalpo un konservē, jāiepazīstas ar šiem norādījumiem kā arī tās jābrīdina par iespējamu bīstamību.

Bez tam negadījumu novēršanai nepieciešams rūpīgi ievērot pastāvošos darba drošības likumus.

UZMANĪBU: Nedrīkst pakļaut elektroinstrumentu lietus un mitru apstākļu iedarbībai.

Katra zāga lietošana neatbilstoši augstāk uzrādītajam pielietojumam ir aizliegta un noved līdz garantijas zaudēšanai kā arī ražotājs neatbild par tādā veidā radītiem zaudējumiem.

Jebkādas ierīces modifikācijas, kuras veic lietotājs atbrīvo ražotāju no atbildības par bojājumiem un zaudējumiem, kuri nodarīti lietotājam un

apkārtējiem.

Pareiza zāga lietošana attiecas arī uz konservāciju, glabāšanu, transportēšanu un remontu.

Zāģi drīkst labot tikai ražotāja uzrādītos servisa punktos. No tikla barotas ierīces labo tikai pilnvarotas personas.

Neskatoties uz pielietojumam atbilstošu lietošanu nevar pilnībā izslēgt atsevišķus paliekošā riska elementus. Ņemot vērā mašīnas konstrukciju un uzbūvi var rasties sekojošas bīstamības:

- Pieskāšanās pie griezējdiska nenosegtā zāga vietā.
- Pieskāšanās pie strādājoša griezējdiska (griezta brūce).
- Apstrādājamā priekšmeta vai tā daļas atmešana.
- Griezējdiska plisums/salušana.
- Dzirdes pasliktināšanās gadījumā, ja netiek lietoti dzirdes aizsardzības līdzekļi.
- Veselībai kaitīgā koka putekļu emisija veicot darbus slēgtās telpās.

Ierīce nav paredzēta profesionālai, amatnieku vai rūpnieciskai lietošanai. Garantijas nosacījumi neattiecas, kad ierīce tika lietota amatnieku, rūpniecības darbnīcās vai tamlīdzīgās darbībās.

KOMPLEKTĀCIJA:

- Diska zāģis - 1 gab.
- Paralēlās griešanas vadotne - 1 gab.
- Griezējdiski $\varnothing 185 \times \varnothing 20 \times 2.5 \times 24T$ - 1 gab.
- Gala atslēga - 1 gab.
- Lāzera rādītāja barošanas baterijas (1,5V «AAA») - 2 gab.
- Oglīšu suku - 2 gab.
- Lietošanas instrukcija - 1 gab.
- Garantijas karte - 1 gab.

MAŠĪNAS UZBŪVE:

Diska zāģis ir otrās aizsardzība klases ierīce (dubultā izolācija) ar vienfāzes dzinēja piedziņu.

Zāga uzbūve parādīta uzrādītā foto uz 2-3 lpp.

- Zīm.A:**
1. Skaidu izmešana
 2. Griezējdiska pārsega rokturis
 3. Rokturis
 4. Lāzera rādītāja slēdzis iesl./izl.
 5. Lāzera rādītāja bateriju ligzdās vāks
 6. Vāka stiprināšanas skrūve
 7. Palīgrokturis
 8. Slipuma lenķa skala
 9. Slipuma lenķa uzstādīšanas skrūve
 10. Paralelās vadotnes uzstādīšanas skrūve
 11. Zāga pamatne
 12. Lāzera kūļa izejas atvere
 13. Paralelās griešanas vadotne
 14. Griezējdiski
 15. Griezējdiska stiprināšanas skrūve
 16. Paliktis
 17. Arējais stiprināšanas gredzens
 18. Griezējdiska pacelšanas pārsegs stāvoklī:
 - atvērts (zīm. A),
 - aizvērts (zīm. B)
 19. Griezējdiska apgrieziena virziena bultņips

Zim.B: 20. Vārpstas bloķēšanas svira

21. Griešanas linijas atzīmes pie 0° un 45° leņķa pamatnes slīpuma
22. Slēdzis
23. Drošības slēdzis
24. Griešanas dziļuma skala
25. Griešanas dziļuma uzstādīšanas skrūve
26. Barošanas vads
27. Gala atslēga

Zim.C: 28. Iekšējais stiprināšanas gredzens**Zim.I: 29.** Baterijas

Tā ir rokas vadības universāla mašīna ar kompaktu, ergonomisku uzbūvi. Nodrošina lietotājam iespēju regulēt griešanas dziļumu un pielāgot mašīnu pie griezošā materiāla biezuma kā arī iespēju griezt zem leņķa (griešanas virsma nav perpendikulāra griezošā materiāla virsmai).

Tā ir droša mašīna par cik tās konstrukcijā izmantots pašregulējošs griezējdiska pārsegs, kurš darba laikā atveras un aizveras.

Mašīnas konstrukcija vienlaicīgi dod iespēju lietotājam viegli apkalpot slēdžus, bloķēšanu un rokturus, kuri izpilda attiecīgas lietošanas un apkalpošanas-konservācijas funkcijas.

TEHNISKIE DATI:

Nominālais spriegums	230-240 V	
Nominālā frekvence	50 Hz	
Patērētā jauda	1500 W	
Griezes ātrums max.	4700 /min	
Maks. zāga asmens diametrs	185 mm	
Asmens cauruma diametrs	20 mm	
Maks. asmens ātrums	≥ 4700 /min	
Griešanas dziļums (0°/45°), max.	65 mm/45 mm	
Griešanas leņķis	0°~ 45°	
Lāzera rādītājs:	lāzera klase	2
	lāzera viļņu garums	650 nm
	lāzera jauda	≤ 1mW
Elektroaizsardzības klase	II/□	
Masa	4,3 kg	
Barošanas vada garums	3 m	
Akustiskā spiediena līmenis (LpA), (K=±3dB(A))	94 dB(A)	
Akustiskās jaudas līmenis (LwA), (K=±3dB(A))	105 dB(A)	
Vibrācijas līmenis atbilstoši EN 60745 (mērījumu izkliede K=1,5 m/s ²)	4,26 m/s ²	

Uzrādītais vibrācijas līmenis ir reprezentatīvs elektroinstrumenta pamata lietošanai. Ja elektroinstrumenti tiek lietoti citos nolūkos vai ar citiem darba instrumentiem, vai arī ja nebūs pietiekami konservēti, vibrācijas līmenis var atšķirties no uzrādītā. Augstāk uzrādītie iemesli var radīt vibrācijas ekspozīcijas palielināšanos visā darba laikā.

Nepieciešams realizēt papildus drošības līdzekļus, kuri pasargās operatoru no vibrācijas ekspozīcijas, piem.: Elektroinstrumenta un darba instrumenta konservācija, atbilstošas roku temperatūras nodrošināšana, darba operāciju veikšanas secības noteikšana.

Deklarētās kopējās vibrācijas vērtības un deklarētās trokšņa emisijas vērtības ir mērītas saskaņā ar standarta testa metodi, un tās var izmantot, lai savā starpā salīdzinātu instrumentus.

Sākotnējam iedarbības novērtējumam var izmantot deklarētās kopējās vibrācijas vērtības un deklarētās trokšņa emisijas vērtības.

Bridinājumi:

Vibrācijas un trokšņa emisija elektroinstrumenta faktiskā lietošanas laikā var atšķirties no deklarētajām vērtībām atkarībā no tā, kā tiek izmantots instruments un kāds materiāls tiek apstrādāts.

Operatora aizsardzībai nepieciešams notiekt drošības līdzekļus, kuri pamatojas uz iedarbības novērtējumu faktiskajā lietošanas laikā (ņemot vērā visas operatīvā cikla darbības daļas, kā piemēram laiku, kurā instruments ir izslēgts un kad strādā tukšgaitā, izņemot sprūda laiku).

DARBS AR ZĀGI:

1. Pirms darba sākuma nepieciešams pārbaudīt griezējdisku, lai izvairītos no pārslodzes un nepareizas zāga darbības.
2. Darbu sākt uz materiāla atzīmējot griešanas līniju.
3. Ierīce ir aprīkota ar drošības slēdzi (23), kurš sargā pret zāga neparedzētas ieslēgšanās. Lai ieslēgtu zāgi nepieciešams vispirms nospiegt drošības slēdzi, un sekojoši nospiegt zāga slēdzi (22) un turēt to šajā stāvoklī. Dot iespēju zāgim sasniegt maksimālos apgriezienus.
4. Zāga pamatni (11) pielikt pie apstrādājamā materiāla tā, lai pamatnes virsma stabilu piegultu apstrādājamā materiāla virsmai, un griešanas līnijas atzīme (21) atrastos virs šīs līnijas.
5. Zāga darba laikā (kustība uz priekšu), griezējdiski iedziļinās apstrādājamā materiālā, diska pārsegs (18) pakāpeniski atsedz disku, dodot iespēju griezt materiālu. Pārsega atpakaļ atpēre atgriezīs pārsegu sākuma stāvoklī, kad disks izbīdīsies no apstrādājamā materiāla.
6. Zāgi nepieciešams vadīt precīzi pa taisnu līniju. Zāga vadība ne pa taisnu līniju var radīt griešanas pretestību un griezējdiska bloķēšanos. Tas var novest pie dzinēja tinumu sadegšanas un garantijas tiesību zaudēšanas, kā arī ir iespēja radīt nopietnu negadījumu.
7. Griešanas beigas ar zāgi ir:
 - a) pilnīga rotojoša griezējdiska izeja no apstrādājamā materiāla,
 - b) slēdzies (22) atbrivojas,
 - c) pagaidīt līdz zāga disks apstāsies,
 - d) nolikt mašīnu drošā vietā.
8. Darba beigas ar zāgi, pēc p. 7. darbību izpildīšanas ir:
 - a) barošanas vada atvienošana no barošanas avota,
 - b) zāga attīrīšana no skaidām un putekļiem,
 - c) zāga nodrošināšana no nepiederošām personām (piem. bērni).

GRIEZĒJDISKA MAIŅA:

UZMANĪBU: Pirms griezējdiska maiņas sākuma nepieciešams atslēgt mašīnu no barošanas avota un pagaidīt līdz disks apstājas.

Griezējdiska montāžai lietot aizsargcimdus. Kontaktā ar griezējdisku pastāv ievainošanās bīstamība.

Lietot tikai zāģēšanas diskus, kuru parametri atbilst šīn apkalpošanas instrukcijā uzrādītiem.

Nekādā gadījumā nedrīkst lietot slīpēšanas diskus par darba instrumentiem.

Zīmējumā C lpp. 3 parādīti griezējdiska (14) stiprināšanas elementi uz mašīnas vārpstas:

- 15. Skrūve ar iekšējo sešstūri
- 16. Skrūves paliktis
- 17. Ārējais stiprināšanas gredzens
- 28. Iekšējais stiprināšanas gredzens

Griežējdiska maiņai nepieciešams:

– Nospiegt vārpstas bloķēšanu (20) un turēt šajā stāvoklī. Ar gala atslēgas (27) palīdzību izskrūvēt stiprināšanas skrūvi (15) (zīm. D, lpp.3).

UZMANĪBU: Vārpstas bloķēšanu (20) var nospiegt tikai pie nekustīga vārpstas. Pretējā gadījumā elektroinstrumentu var sabojāt.

– Ar pārsega rokturi (2) atbīdīt pārsegu uz aizmuguri un turēt. No mašīnas vārpstas noņemt ārējo stiprināšanas gredzenu un griežējdisku (14) (zīm. E, lpp.3).

UZMANĪBU: Nenovietojiet iekšējo stiprināšanas gredzenu (28); ja gredzens izkrit, tad nepieciešams to ielikt atpakaļ ar plakano virsmu virzienā uz ārpusi no mašīnas korpusa.

Žāga montāža augstāk uzrādītā atgriezeniskā kārtībā. Uzliekot griežējdisku nepieciešams pievērst uzmanību uz diska kustības apgrīezienu sakritību. Diska bultiņas virzienam jāsakrīt ar diska pārsega norādīto bultiņas kustība virzieni.

GRIEŠANAS DZĪĻUMA UZSTĀDĪŠANA (zīm. F):

Veikt sekulus iegriezumus, dzīļums mazāks par apstrādājamā materiāla biezumu, ir iespējams uzstādīt vēlamo griešanas dzīļumu nolaižot žāga pamatni (11) attiecīgā stāvoklī.

Atslēgt žāgi no barošanas. Atbrīvojot žāga griešanas dzīļuma regulācijas skrūvi (25). Atbīdīt pamatni uz leju līdz vēlamam griešanas dzīļumam. Nobloķēt skrūvi (25).

GRIEŠANAS SLĪPUMA LENĶA UZSTĀDĪŠANA (zīm. G):

Žāgis dod iespēju griezt zem lenķa attiecība pret virsmu diapazonā 0° – 45°. Šajā nolūkā žāga pamatni (11) nepieciešams novietot attiecīgā stāvoklī.

Šajā nolūka žāgi nepieciešams atslēgt no barošanas. Atbrīvojot pamatnes stiprināšanas skrūvi (9). Novietot žāga pamatni nepieciešamā lenķī. Nobloķēt stāvokli pieskrūvējot skrūvi.

PARALĒLĀS GRIEŠANAS VADOTNES LIETOŠANA (zīm. H):

Vadotne (13) dod iespēju paralēlai griešanai attiecībā pret apstrādājamā materiāla malu.

Atslēgt žāgi no barošanas. Iebīdīt vadotni žāga pamatnes priekšējās daļas spraugās.

Uzstādīt vēlamo griešanas platumu. Nobloķēt vadotni ar skrūvi (10). Sākt žāgēšanu.

LĀZERA RADĪTĀJS:

Lāzera rādītājs rāda griešanas līniju. Uz apstrādājamā priekšmeta nepieciešams atzīmēt vēlamo griešanas ceļu, un griešanas laikā lāzera līniju vest pa atzīmēto līniju.

Lāzers tiek barots ar divām AAA 1,5V tipa baterijām. Nepieciešams atskrūvēt stiprināšanas skrūvi (6) un noņemt lāzera rādītāja (5) bateriju ligzdas vāku. Uzstādīt baterijas ligzdā atbilstoši poliem (+) un (-) (zīm. I). Aizvērt ligzdu ar vāku un piestiprināt to ar skrūvi.

Lāzera rādītāja ieslēgšanai vai izslēgšanai nepieciešams nospiegt slēdzi (4) iesl./izsl. (zīm. A).

Pirms griešanas sākuma pārbaudīt vai griešanas līnija tiek uzrādīta. Lāzera rādītājs var izmainīt savu rādījumu sakarā elektroinstrumenta

intensitātes lietošanas vibrāciju.

UZMANĪBU: Pēc katras žāgēšanas nepieciešams izslēgt lāzera rādītāju.

KONSERVĀCIJA, GLABĀŠANA UN TRANSPORTS:

Mašīnai pēc būtības nav nepieciešami speciāli konservācijas darbi.

Mašīnu nepieciešams glabāt bērniem nepieejamās vietās, uzturēt tīrā stāvoklī, sargāt no mitruma un putekļiem. Glabāšanas apstākļiem jāizslēdz mehānisko bojājumu iespēju kā arī kaitīgo atmosfēras apstākļu iedarbību.

Pēc darba ieteicams atīrīt žāgi no skaidām un putekļiem. To veikt atvieglo griežējdiska pārsega rokturis (2), dodot iespēju atsegt griežējdisku (13).

UZMANĪBU: rokturi lietot tikai konservācijas un apkalpošanas darbu laikā, iepriekš atslēdzot mašīnu no barošanas avota.

Pēc darba stipri putekļainā vidē ieteicams ar saspiestu gaisu izpūst ventilācijas atveres – tas novērsīs priekšlaicīgu gultņu nolietošanos un likvidēs putekļus, kuri bloķē dzinēja dzesējošo gaisu.

Redzamus netīrumus lāzera stara izejas atverē (12) kā arī lēcās uzmanīgi noņemt ar kosmētisko vates kociņu, lietojot stikla tīrīšanas līdzekli.

Žāgi transportēt un glabāt iepakojumā, kurš sargā no mitruma, putekļu un sīko daļu iekļūšanas – īpaši nepieciešams nodrošināt ventilācijas atveres. Sīkie elementi, kuri iekļūst korpusa iekšienē var sabojāt dzinēju.

Tehnisku problēmu gadījumā lūdzam kontaktēties ar pilnvarotā servisu.

APKĀRTĒJĀS VIDES AIZSARDZĪBA:



UZMANĪBU: Uzrādītais simbols nozīmē, ka aizliegts novietot nolietoto ierīci kopā ar citiem atkritumiem (iespējams naudas sods). Bīstamās sastāvdaļas, kuras atrodas elektriskās ierīcēs negatīvi ietekmē uz apkārtējo vidi un cilvēku veselību.

Mājsaimniecībā jāņem dalība nolietoto ierīču atgūšanā un atkārtotā izlietošanā (reciklīgā). Polijā un Eiropā tiek radīta vai jau pastāv nolietoto ierīču savākšanas sistēma, kura ietvaros visiem augstāk minēto ierīču pārdošanas punktiem ir pienākums pieņemt nolietotās ierīces. Bez tam pastāv augstāk minēto ierīču savākšanas punkti.

RAŽOTĀJS:

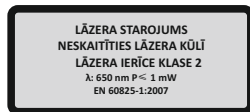
Profix SIA,
Maryvilkska iela 34,
03-228 Varšava, Polija

Šī ierīce ir saskaņā ar valsts un Eiropas normām, ka arī drošības prasībām.

UZMANĪBU: Visāda veida remontus veic kvalificēt personāls, lietojot oriģinālas rezerves daļas.

PIKTOGRAMMAS:

Apzīmējumu skaidrojums, kuri atrodas uz plāksnītes un informācijas uzlīmēm:



– **BRĪDINĀJUMS!** Pirms ieslēgšanas un darba sākuma nepieciešams iepazīties ar šo instrukciju



– Vienmēr lietot aizsargbrilles.



– Vienmēr nepieciešams lietot putekļu.



– Lietot dzirdes aizsardzības līdzekļus.



Firmas PROFIX politika ir nepārtraukta savu produktu pilnveidošanas politika, tāpēc firma sev rezervē tiesības ievest izstrādājuma specifikācijas izmaiņas bez iepriekšējas paziņošanas. Zīmējumi, kuri uzrādīti apkalpošanas instrukcijā kalpo tikai kā piemērs un var nedaudz atšķirties no iegādātās ierīces reālā izskata.

Šī instrukcija ir sargāta ar autortiesībām. Aizliegts to kopēt/pavairot bez PROFIX SIA rakstiskas atļaujas.



PRIEŠ RADEKANT DARBĄ SUSIPAŽINKITE SU INSTRUKCIJA.

Išsaugokite instrukciją, nes gali būti reikalinga vėliau.



ĮSPĖJIMAS! Prašome perskaityti visus įspėjimus dėl saugaus naudojimo pažymėtus simboliais ⚠ bei visas nuorodas dėl saugaus naudojimo.

Žemiau pateikiamų įspėjimų dėl saugos bei saugos nuorodų nesilaikymas gali būti elektros smūgio, gaisro ir/arba sunkių kūno sužalojimų priežastimi.

Išsaugokite visus įspėjimus ir visus saugos nuorodas, kad vėliau būtų galima jais pasinaudoti.

Žemiau pateiktuose įspėjimuose sąvoka „elektros prietaisas“ apibūdina elektros prietaisą maitinamą elektros energija iš elektros tinklo (maitinimo laidas) arba elektros prietaisą maitinamą akumuliatoriumi (belaidis).



ĮSPĖJIMAS! Bendri įspėjimai dėl saugaus įrankio naudojimo.

Sauga darbo vietoje:

- Darbo vietoje turi būti švaru, tvarkinga bei geras apšvietimas. *Netvarka bei netinkamas darbo vietos apšvietimas gali būti nelaimingų atsitikimų priežastimi.*
- Nenaudoti elektros prietaiso sprogioje aplinkoje, kurioje yra degūs skysčiai, degios dujos arba dulkės. *Elektros prietaiso darbo metu susidaro elektros kibirkštis, todėl gali užsidegti esantis aplinkoje garai.*
- Darbo vietoje negali būti vaikų bei pašaliniai. *Dėmesio nukreipimas gali būti elektros prietaiso valdymo praradimo priežastimi.*



ĮSPĖJIMAS! Bendri įspėjimai dėl saugaus įrankio naudojimo.

Elektros sauga:

- Elektros prietaisų kištukai turi atitikti elektros lizdo tipui. Jokių būdu negalima keisti kištuko. Jeigu elektros prietaisas turi įžeminimą, negalima naudoti ilgutuvo. *Originalių kištukų bei lizdų naudojimas sumažina elektros smūgio riziką.*
- Venkite kūno kontakto su žemintais paviršiais, tokiais kaip vamzdžiai, šildytuvai, centrinio šildymo radiatoriai bei šaldytuvais. *Kontaktas su žemintais paviršiais didina elektros smūgio pavojų.*
- Saugokite prietaisą nuo lietaus ir drėgmės. *Jeigu vanduo patenka į elektros prietaisą, padidėja elektros smūgio rizika.*
- Nenaudokite laidų ne pagal paskirtį. Neneškite įrenginio paėmę už laido, netraukite už jo norėdami išjungti kištuką iš elektros lizdo. Laidą klokite taip, kad jo neveiktų karštis, jis neišsitemptų alyva ir jo nepažeistų aštrios detalės ar judančios prietaiso dalys. *Pažeistas laidas gali tapti elektros smūgio priežastimi.*
- Jeigu elektros prietaisas yra naudojamas lauke, laido prailginimui naudokite tik specialiai tam skirtus prailgintuvus. *Prailgintuvų skirtų darbui lauke naudojimas sumažina elektros smūgio riziką.*
- Įrankį rekomenduojama jungti į elektros maitinimo tinklą, turintį likutinės srovės įrenginį (RCD), kurio išjungimo srovė yra 30 mA arba mažesnė.
- Jeigu negalima išvengti elektros prietaiso naudojimo drėgnoje aplinkoje, naudokite RCD įrenginį. *RCD įrenginio naudojimas sumažina elektros smūgio riziką.*



ĮSPĖJIMAS! Bendri įspėjimai dėl saugaus įrankio naudojimo.

Žmonių sauga:

- Prietaisu negali naudotis asmenys (tame tarpe vaikai) turintis fizinius, jutimo arba psichinius negalavimus, taip pat asmenys neturintis darbo patirties arba nesusipažinę su prietaisu, nebent toks darbas vyksta stebint specialistui arba pagal prietaiso naudojimo instrukciją, kurį buvo perduota asmeniui atsakingu už saugą.
- Būkite atidūs, sutelkite dėmesį į tai, ką Jūs darote ir, dirbdami su elektros prietaisu, vadovaukitės sveiku protu. Nedirbkite su prietaisu, jei esate pavargę arba vartojote narkotikus, alkoholį ar medikamentus. *Akimirknis neatidumas naudojant prietaisą gali tapti rimtų sužalojimų priežastimi.*
- Dėvėkite tinkamą aprangą. Nešiokite apsauginius akinius. *Apsauginės aprangos, tokios kaip dulkių kaukė, neslystantis apsauginiai batai, šalmai, asinės, naudojimas sumažina sužalojimų grėsmę.*
- Saugokitės, kad neįjungtumėte prietaiso atsitiktinai. Prieš įjungiant kištuką į elektros lizdą ir/arba prieš akumuliatoriaus įjungimą bei prieš paimitą arba pernešant prietaisą įsitikinkite, kad prietaisas yra išjungtas. *Prietaiso pernešimas su pirštu ant jungiklio arba prietaiso įjungimas į maitinimo tinklą gali tapti nelaimingo atsitikimo priežastimi.*
- Prieš įjungdami prietaisą pašalinkite raktus. *Prietaiso besisukančioje dalyje esantis įrankis ar raktas gali tapti sužalojimų priežastimi.*
- Nepasilenkite pernelyg į priekį. Dirbdami atsisitokite patikimai ir visada išlaikykite pusiausvyrą. *Patikima stovėseną ir tinkamą kūno laikysena leis geriau kontroliuoti prietaisą netikėtose situacijose.*
- Dėvėkite tinkamą aprangą. Nedėvėkite placių drabužių ir papuošalų. Saugokitės plaukus, drabužius ir pirštines nuo besisukančių prietaiso dalių. *Laisvus drabužius, papuošalus bei ilgus plaukus gali įtraukti besisukančios prietaiso dalys.*
- Jeigu įrenginiai yra pritaikyti prijungimui prie dulkių nusiurbimo ir dulkių surinkėjo, įsitikinkite, kad šie įrenginiai tinkamai prijungti ir panaudoti pagal paskirtį. *Dulkių surinkėjų panaudojimas sumažina dulkių poveikio pasekmes.*
- Elektros įrankių naudojimo įgūdžiai, įgyti dažno jų naudojimo metu, negali per daug padidinti Jūsų pasitikėjimo savimi ir leisti nesilaikyti saugos taisyklių. *Neatsargiai naudojantis elektros įrankiais, galima rimtai susižeisti per kelias sekundes.*



ĮSPĖJIMAS! Bendri įspėjimai dėl saugaus įrankio naudojimo.

Rūpestinga elektros prietaisų priežiūra ir naudojimas

- Neperkraukite prietaiso. Naudojamo prietaiso galingumas turi atitikti atliekamam darbui. *Tinkamai parinktas elektros prietaisas leis atlikti darbą gerai ir saugiai.*
- Nenaudokite elektros prietaiso su sugedusiu jungikliu. *Elektros prietaisas, kurio nebeegalima įjungti ar išjungti, yra pavojingas ir jį reikia remontuoti.*
- Prieš reguliuodami prietaisą, keisdami darbo įrankius arba prieš sandėliavimą ištraukite kištuką iš elektros lizdo ir/arba atjunkite akumuliatorių. *Ši saugumo priemonė apsaugos jus nuo netikėto prietaiso įsijungimo.*

- d) Nenaudojamą prietaisą sandėliuokite vaikams ir nemokantiems juo naudotis arba nesupažinusiems su instrukcija asmenims neprieinamoje vietoje. *Elektriniai įrankiai yra pavojingi, kai juos naudoja nepatyrę asmenys.*
- e) **Rūpestingai prižiūrėkite prietaisą.** Patikrinkite, ar besisukančios prietaiso dalys tinkamai veikia ir niekur nekliūva, ar nėra sulūžusių ar šiaip pažeistų dalių, kurios įtakotų elektros prietaiso veikimą. Jeigu yra gedimai suremontuokite prietaisą. *Daugelio nelaimingų atsitikimų priežastis yra blogai prižiūrimi elektros prietaisai.*
- f) **Pjovimo įrankiai turi būti aštrūs ir švarūs.** *Rūpestingai prižiūrėti elektros prietaisai su aštriais pjovimo įrankiais yra lengviau valdomi ir juos geriau kontroliuoti.*
- g) **Jeigu prietaisas, papildomus įrankius, darbo įrankius ir t.t. naudokite tik pagal instrukciją, turėdami omeny darbo sąlygas bei atliekamo darbo pobūdį.** *Elektros prietaiso naudojimas ne pagal paskirtį gali sukelti pavojingas situacijas.*
- h) Jeigu prietaisas nebuvo naudojamas ilgesnį laiką arba yra naudojamas žemos temperatūros sąlygose, įjunkite jį kelioms minutėms be apkrovos tam, kad tepalas tinkamai pasiskirstytų pavaros mechanizme.
- i) **Elektros prietaisus valykite minkštu, drėgnu (ne šlapiu) skuduru ir muilu.** Nenaudokite benzino, tirpiklių bei kitų priemonių galinčių pažeisti prietaisą.
- j) **Elektros prietaisą laikykite/transportuokite tik po to, kai įsitikinsite, kad jo visos besisukančios dalys yra užblokuotos ir saugomos originaliomis, specialiai tam skirtomis detalėmis.**
- k) **Elektros prietaisą laikykite sausoje, apsaugotoje nuo dulkių bei drėgmės vietoje.**
- l) **Elektros prietaisą transportuokite originalioje pakuotėje, saugančioje nuo mechaninių pažeidimų.**
- m) **Rankenos ir kiti įrankio laikymo paviršiai turi būti švarūs, nealiejuoti ir netepaluoti.** *Jeigu rankenos ir kiti įrankio laikymo paviršiai yra šlūsūs, netikėtose situacijose negalėsite įrankio saugiai laikyti ir valdyti.*



ĮSPĖJIMAS! Bendri įspėjimai dėl saugaus įrankio naudojimo.

Remontas:

- a) **Garantinį ir pogarantinį elektros įrankių remontą atlieka PROFIX servisas, todėl garantuojama aukščiausia remonto darbų kokybė bei originalios atsarginės dalys.**
- b) **Jeigu sugedo elektros prietaiso laidas, jį pakaitalima pas gamintoją, specializuotame remonto punkte arba gali tai atlikti specialistas tam, kad išvengtumėte pavojaus.**
- ĮSPĖJIMAS!**
- RANKINIS DISKINIS PJŪKLAS, specialūs saugaus naudojimo nurodymai:**
- a) **Ranškų nelaikykite pjūvio plote. Antrą ranšką laikykite papildomoje rankenoje arba variklio korpuse.** *Jeigu pjūklas yra laikomas dvejomis rankomis, būkite itin atidūs.*
- b) **Nedėkite ranškų apdorojamojo daikto apačioje.** *Apsauginis gaubtas neapsaugo apačioje.*
- c) **Nustatykite pjovimo gylį pagal apdorojamojo daikto storį.** *Rekomenduojama, kad pjovimo diskas išeity už apdorojamos*

medžiagos ne daugiau negu pjūklo danties ilgis.

- d) **Draudžiama laikyti apdorojamą daiktą rankose arba ant kelių.** *Apdorojamas daiktas turi būti pritvirtintas stabiliaame paviršiuje. Tinkamas pjaunamo daikto tvirtinimas yra labai svarbus, nes tokiu atveju išvengsite kūno sužalojimo, galėsite kontroliuoti pjovimą (pjūklas neužstrigs).*
- e) **Darbo metu įrankį laikykite už specialiai tam skitus, izoliuotus paviršius.** *Tai apsaugos nuo elektros smūgio kontakto su elektros laidais arba įrankio maitinimo laidu atveju. Kontaktas su elektros laidais po įtampa gali būti elektros smūgio priežastimi.*
- f) **Atliekant išilginį pjovimą visada naudokite vedžioklį skirtą išilginiam pjovimui arba vedžioklį skirtą braiunoms.** *Tai pagerina pjovimo tikslumą bei mažina pjūklo užstrigimo tikimybę.*
- g) **Naudokite tik tinkamų dydžių bei turinčius tinkamas angas (pav. rombo formos arba apvali) pjovimo diskus.** *Jeigu pjovimo diskas neatitinka tvirtinimo patronui, gali priversti prie kontrolės praradimo pjovimo metu bei sužalojimu.*
- h) **Pjovimo diskų tvirtinimui niekada nenaudokite pažeistų arba netinkamų tvirtinimo varžtų ir tarpiklių.** *Tarpikliai bei tvirtinimo varžtai yra specialiai užprojektuoti šiam pjūkliui tam, kad užtikrinti optimalų darbą bei saugumą.*

Atmetimo priežastys:

- atgalinis smūgis arba staigus įrankio atmetimas į operatoriaus pusę dėl nekontroliuojamo pjovimo ir netinkamo pjūklo vedimo apdorojame daikte;
- kai pjūklo diskas užstringa, diskas yra stabdomas o variklio reakcija sukelia staigius atgalinius smūgius į operatoriaus pusę;
- jeigu pjūklas yra netinkamai laikomas apdorojamo paviršiaus atžvilgiu, tai išeinat iš pjaunamos medžiagos pjūklo dantis gali užkliudyti už paviršių, o pjūklas pakils ir įrankis gali būti staigiai atmetas į operatoriaus pusę.

Atgalinis smūgis tai netinkamo pjūklo naudojimo, nurodymų nesilaikymo arba netinkamų eksploatacijos sąlygų pasekmė. Tam, kad to išvengti būtina laikytis pateiktų žemiau nurodymų.

- a) **Pjūklą laikykite stipriai abejomis rankomis; pečiai turi būti tokioje pozicijoje, kad galėtumėte atlaikyti atgalinį smūgį.** *Operatoriaus kūnas negali būti pjovimo linijoje. Atgalinio smūgio metu pjūklas yra atmetamas, bet operatorius gali tai kontroliuoti jeigu laikysis tam tikrų saugos priemonių.*
- b) **Jeigu pjovimo diskas užstringa arba dėl kokios nors priežasties yra sustabdomas pjovimas, tai būtina atlaisvinti paleidimo mygtuką ir laikyti pjūklą pjaunamoje medžiagoje iki tol kol nesustoja diskas.** *Nebandykite išimti pjūklo iš pjaunamos medžiagos bei netraukite atgal pjūklo iki tol kol pjūklo diskas nesustoja arba gali sukelti atgalinį smūgį. Nustatykite užstrigimo priežastį bei pabandykite pašalinti šias priežastis.*
- c) **Paleidžiant pakartotinai užstrigusį pjūklą apdorojamoje medžiagoje, pabandykite vesti pjūklą per vidurį bei patikrinkite ar pjūklo dantys neužstrigo medžiagoje.** *Jeigu pakartotino paleidimo metu pjūklo diskas stringa, tai diskas gali iškristi arba sukelti atgalinį smūgį.*
- d) **Didelių plokščių pjovimo atveju prilaikykite jas, tai mažina atgalinio smūgio bei disko užspaudimo tikimybę.** *Didelės*

plokštės susilenkia dėl savo svorio, todėl iš abiejų tokių plokštės pusių, netoli pjovimo linijos, turi būti atramos.

- e) **Nenaudokite neaštrių arba panaudotų pjovimo diskų.** Neaštrūs arba netinkami nustatyti pjūklo dantys sukelia didelį trynimą, pjūklo užstrigimą arba atgalinį smūgį.
- f) **Prieš pjovimą nustatykite pjovimo gylį bei pjovimo kampą (mygtukai turi būti tvirtai paspausti).** Nustatymų pasikeitimas pjovimo metu gali būti užstrigimo arba atgalinio smūgio priežastimi.
- g) **Atliekant „giluminį pjovimą“ ypatingą dėmesį sutelkite į sienelės bei kitas aklas erdves.** Išeinantis už kraštus pjūklas gali pjauti kitus daiktus bei sukelti atgalinį smūgį.
- h) **Prieš kiekvieną pjovimą patikrinkite apatinio gaubto padėtį.** Jeigu apatinis gaubtas nejuda laisvai, negalima naudotis pjūklu. Niekada nepalikite apatinio gaubto atidaryto. Jeigu pjūklas netyčia nukris, apatinis gaubtas gali būti pažeistas. Apatinį gaubtą pakelkite naudojant tam atitraukimo rankeną ir įsitikinkite, kad gaubtas juda laisvai bei nesiliečia su pjūklu visų pjovimo kampų bei gylių atvejais.
- i) **Patikrinkite apatinio gaubto spyruoklę.** Jeigu gaubtas bei jo spyruoklę neveikia tinkamai, būtina jas sutaisyti prieš naudojimą. Apatinis gaubtas gali veikti sunkiai dėl sugedusių dalių, lipnių nuosėdų, arba atliekų susikaupimo.
- j) **Rankinių būdų apatinį gaubtą galima patraukti tik atliekant specialius pjūvius, tokius kaip „giluminis pjovimas“ ir „sudėtingas pjovimas“.** Apatinį gaubtą pakelkite atitraukimo rankena ir kai pjūklas įeina į medžiagą, tai apatinį gaubtą būtina atlaisvinti. Visų kitų pjovimų atvejais apatinis gaubtas turi veikti savaime (negalima jį kelti rankiniu būdu).
- k) **Atkreipkite dėmesį ar apatinis gaubtas gaubia pjūklą prieš tai, kai bus pastatytas ant darbo stalo arba ant grindų.** Dėl neapsaugoto pjūklo krašto pjūklas gali veikti atbuline eiga ir gali pjauti viską savo kelyje. Atsiminkite, kad pjūklas reikalauja tam tikro laiko po išjungimo kol sustoja.



DĖMESIO! Naudokite prietaisus dulkiams nutraukti!

Jeigu gamintoju yra pridėdami prietaisai dulkiams kaupti bei nutraukti, patikrinkite ar jie yra tinkamai sumontuoti bei pajungti.



ĮSPĖJIMAS!

Naudokite apsaugos priemones. Būtina naudoti dulkių kaukes.

Kontaktas su dulkiemis bei dulkėmis pateikiamas į kvėpavimo takus sukelia pavojų naudotojo bei aplinkinių sveikatai. Todėl naudokite dulkių kaukę, kurį saugos nuo dulkių bei garų. Taip pat pasirūpinkite aplinkinių saugumu.



DĖMESIO! Naudokite tik nurodytų instrukcijoje didžiųjų pjovimo diskus.

Naudokite nurodyto skersmens bei storio, pritaikytus prie pjūklo apsisukimo greičio pjovimo diskus.

- **Nenaudokite legiruotojo greitai pjaunančio plieno pjovimo diskų.** Tokio tipo diskai greitai lūžta.
- **Nenaudokite pjovimo diskų skirtų metalo arba akmens pjovimui.**
- **Naudokite tik aštrius, geros būklės pjovimo diskus; jeigu diskai turi plyšius arba įlenkimus – būtina jį nedelsiant pakeisti.**

- **Patikrinkite ar pjovimo diskas yra gerai užveržtas bei sukasi tinkama kryptimi.**



ĮSPĖJIMAS!

Naudokite apsaugos priemones. Naudokite apsauginius akinius.



ĮSPĖJIMAS!

Naudokite apsaugines ausines.




ĮSPĖJIMAS! Rankinis pjūklas; papildomos saugos nuorodos –

Asmeninė sauga:

1. Nepajunkite maitinimo laido (26) į elektros lizdą kol neįsitikinsite, kad:
 - a) maitinimo šaltinio parametrai atninka parametrus nurodytus prietaiso lentelėje;
 - b) yra užmontuotas pjovimo diskas skirtas medienos bei panašių medienai medžiagų pjovimui, o maksimalus apsisukimų greitis ne didesnis negu 4700 apsisukimų/min.;
 - c) pjovimo diskas (14) yra gerai ir tvirtai pritvirtintas bei atitinka rodyklių kryptis (19) pjovimo diske bei gaubte;
 - d) pjovimo diskas (14) yra aštrus, jo techninė būklė yra labai gera, diskas nėra pažeistas ir pan.;
 - e) pjūklo paleidimo jungiklis (22) yra išjungimo padėtyje, o saugumo mygtukas (23) ir veleno blokavimo mygtukas (20) yra atlaisvinti;
 - f) imbusinis raktas (27) skirtas disko montavimui yra pašalintas iš varžto lizdo (15) ir nėra pjūklo veikimo plote;
 - g) yra gerai užveržti: - pjovimo gylio nustatymo (25), - pjovimo kampo (9) ir lygiagrečio pjovimo vedžioklio (10) varžtai;
 - h) pakeliamas pjovimo disko gaubtas (18) veikia gerai ir yra uždarytas.
2. Jeigu yra naudojamas ilgintuvas, būtina įsitikinti, kad jo parametrai bei laidų skersmuo atitinka pjūklo parametrus. Rekomenduojama naudoti kuo trumpesnius ilgintus. Ilgintuvas turi būti visiškai ištiestas.
3. Prieš įjungiant pjūklą įsitikinkite, kad pjaunamoje medžiagoje nėra vinių, varžtų, sraigtų ir/arba kitų pašalinį daiktų.
4. Niekada neblokaukite pjovimo disko gaubto (18).
5. Paleidžiant bei dirbant būtina laikyti pjūklą abejomis rankomis už abidvi rankenas (3) ir (7).
6. Įjunkite įrankį tik tada, kai pjovimo diskas (14) nesiliečia su apdorojamąja medžiaga.
7. Pjovimą pradėkite kai pjūklas pasiekia maksimalų apsisukimų greitį.
8. Pjovimą pradėkite tik tada, kai pjūklo pado paviršius (11) tvirtai atsiremia į apdorojamos medžiagos paviršius.
9. Atliekant pjovimą nespauskite pernelyg pjūklo prie apdorojamo paviršiaus. Stiprus pjūklo prispaudimas gali būti nelaimingo atvejo arba variklio gedimo priežastimi. Variklio gedimas (sudegimas) dėl didelės apkrovos neįeina į garantinį remontą!
10. Pjūklas nėra skirtas atlikti lankinį pjovimą, briaunų apdorojimą, frezavimą, nes gali būti nelaimingo atsitikimo arba įrankio gedimo priežastimi; toks remontas neįeina į garantinį aptarnavimą.
11. Po to, kai pjūklas buvo išjungtas negalima stabdyti disko, prispaudžiant prie apdorojamos medžiagos.

12. Reguliariai kontroliuokite pjūklo korpuso montavimo varžtų būklę. Jeigu reikia užveržkite juos Ph3 sukturnu.

13.  Pjūklas turi lazerinį rodiklį; lazeris 2 klasės pagal EN 60825. Draudžiama žiūrėti į lazerio šviesą arba nukreipti lazerio šviesą į žmonių bei gyvūnų akis.

Žiūrėjimas į 2 klasės lazerio šviesą nėra žalingas akimis su sąlyga, kad trunka ne ilgiau negu 0,25 s. Akies vokų judesiai praktiškai užtikrina natūralią apsaugą. Optinių prietaisų panaudojimas, pav. akinių, žiūronų ne didina akių sužalojimo rizikos.

NAUDOJIMAS PAGAL PASKIRTĮ:

Diskinis pjūklas yra skirtas medienos, faneros, drožlių plokščių ir panašių medžiagų pjovimui.

Pjūklo negalima naudoti metalo, akmens pjovimui arba šlifavimui. Taip pat negalima naudoti diskų skirtų metalo ir akmens pjovimui arba šlifavimui.

Pjūklas yra skirtas tiesiam pjovimui. Pjūklas negali būti naudojamas lankiniam pjovimui.

Naudojimas pagal paskirtį taip pat apima saugos nurodymų, montavimo instrukcijos, eksploatavimo nurodymų bei kitų saugos taisyklių paismą. Asmenys, dirbantis bei atliekantis priežiūros darbus turi susipažinti su visais nurodymais bei galimais pavojais.

Ypač svarbu yra taikyti nurodymus dėl saugaus darbo bei galimų nelaimingų atvejų galimybių mažinimo.

DĖMESIO: Elektros įrankius būtina saugoti nuo drėgmės bei lietaus poveikio.

Pjūklo panaudojimas ne pagal paskirtį yra draudžiamas ir gresia garantijos praradimu bei tokiu atveju gamintojas neatsako už patirtas žalas.

Bet kokios prietaiso modifikacijos padarytos naudotoju atleidžia gamintoją nuo atsakomybės už žalas patirtas tokiu atveju naudotoju bei aplinkiniams.

Tinkamas naudojimas taip pat apima tinkama elektros prietaiso priežiūrą, sandėliavimą, transportavimą bei remontą.

Pjūklo remontus galima atlikti tik gamintojo patvirtintuose techninės priežiūros centruose. Pjūklą, kuris varomas elektros tinklo energija, gali remontuoti tik įgalioti asmenys.

Nepaisant tinkamo prietaiso naudojimo negalima visiškai išvengti rizikos. Galimi rizikos faktoriai:

- Pjovimo disko prisilietimas neapsaugotoje pjūklo dalyje.
- Susilietus su veikiančiu disku (pjautinė žaizda).
- Pjaunamos medžiagos arba pjaunamos medžiagos dalies atmetimas.
- Pjovimo disko įtrūkimas/lūžis.
- Klausos pažeidimas nesilaikant būtinųjų apsaugos priemonių.
- Kenksmingas medienos dulkių poveikis atliekant darbus uždarose patalpose.

Įrenginys nėra skirtas profesionaliam naudojimui dirbtuvėse arba pramonėje. Garantija prarandama jeigu prietaisas buvo naudojamas pramoninėse dirbtuvėse arba panašiems darbams.

KOMPLEKTAVIMAS:

- Diskinis pjūklas -1 vnt.
- Lygiagrečio pjovimo vedžioklis -1 vnt.
- Pjovimo diskas Ø 185 x Ø 20 x 2.5 x 24T-1 vnt.
- Imbusinis raktas -1 vnt.
- Lazerinio rodiklio maitinimo elementai (1,5V «AAA») - 2 vnt.

- Anglies šepetėliai - 2 vnt.
- Garantinis lapas - 1 vnt.
- Naudojimo instrukcija - 1 vnt.

ĮRENGINIO SANDARA:

Diskinis pjūklas tai antros klasės prietaisas (dviguba izoliacija) su vienfaziu varikliu.

Pjūklo sandara pavaizduota paveiksluose 2-3 puslapiuose:

- Pav. A:**
1. Pjuvenų išmetimas
 2. Pjovimo disko gaubto rankena
 3. Pagrindinė rankena
 4. Lazerinio rodiklio išjungimo/įjungimo mygtukas
 5. Lazerinio rodiklio maitinimo elementų gaubtas
 6. Gaubto montavimo varžtai
 7. Papildoma rankena
 8. Įstrižumo kampo skalė
 9. Pjovimo kampo nustatymo varžtas
 10. Lygiagrečio pjovimo vedžioklio nustatymo varžtas
 11. Pjūklo padas
 12. Lazerio šviesos išėjimas
 13. Lygiagrečio pjovimo vedžioklis
 14. Pjovimo diskas
 15. Disko montavimo varžtas
 16. Tarpiklis
 17. Užspaudimo išorinis flanšas
 18. Judamas pjovimo disko gaubtas pozicijoje:
- atidarytas (pav. A), uždarytas (pav. B)
 19. Pjovimo disko judėjimo krypties rodyklės
- Pav. B:**
20. Veleno blokavimo svertas
 21. Pjovimo linijos rodyklės 0° ir 45° kampų
 22. Jungiklis
 23. Saugos mygtukas
 24. Pjovimo gylio skalė
 25. Pjovimo gylio nustatymo varžtas
 26. Maitinimo laidas
 27. Imbusinis raktas

Pav. C: 28. Užspaudimo vidinis flanšas

Pav. I: 29. Maitinimo elementai

Tai universalus skirtas rankiniam pjovimui įrenginys. Leidžia parinkti pjovimo gylį ir pritaikyti įrenginį pagal pjaunamos medžiagos storį. Taip pat leidžia atlikti įstrižinį pjovimą (pjovimo paviršius neatitinkantis stačiai pjaunamos medžiagos linijai).

Prietaisas turi savaime reguliuojama pjovimo disko apatinį gaubtą, kas suteikia papildomo saugumo.

Įrenginio sandara leidžia lengvai perjungti reguliavimo mygtukus, aptarnauti rankenas bei blokavimo mygtukus.

TECHNINIAI DUOMENYS:

Nominali įtampa	230-240 V
Nominalus dažnis	50 Hz
Nominalus pajėgumas	1500 W
Maks. sukimosi greitis	4700 /min
Maks. pjovimo disko skersmuo	185 mm
Pjovimo disko angos skersmuo	20 mm
Maks. disko sukamasis greitis	≥4700 /min

Pjovimo gylis (0°/45°), maksimalus.	65 mm/45 mm	
Pjovimo kampas	0°~ 45°	
Lazerinis indikatorius	lazerio klasė	2
	lazerio bangų ilgis	650 nm
	lazerio galingumas	≤ 1mW
Prietaiso klasė	II/□	
Masė	4,3 kg	
Maitinimo laido ilgis	3 m	
Akustinio slėgio lygis (LpA), (K=±3dB(A))	94 dB(A)	
Akustinio pajėgumo lygis (LwA), (K=±3dB(A))	105 dB(A)	
Vibravimo lygis pagal EN 60745 (matavimo paklaida K=1,5 m/s ²)	ah=4,26 m/s ²	

Pateiktas virpesių lygis yra reprezentatyvus pagrindiniams prietaiso panaudojimams. Jeigu elektros prietaisas bus panaudotas kitiems tikslams arba su kitais papildomais darbo įrankiais bei jeigu nebus tinkamai prižiūrimas, virpesių lygis gali skirtis.

Pateiktas aukščiausias priežastis gali padidinti vibracijų lygi darbo metu. Būtina panaudoti papildomas priemones, saugančias naudotoją nuo vibracijų pasekmių, pav.: prietaiso ir darbo įrankių priežiūra, veiksmų eilės nustatymas.

Deklaruotos bendros vibracijos ir triukšmo vertės išmatuotos, taikant standartinį bandymo metodą, ir gali būti naudojamos įrankių lyginimui. Deklaruotos bendros vibracijos ir triukšmo vertės gali būti naudojamos pradiniam poveikio vertinimui.

Įspėjimai:

Vibracija ir triukšmas elektros įrankio naudojimo metu gali skirtis nuo deklaruojamoms vertėms, kadangi tai priklauso nuo įrankio naudojimo būdo ir apdirbamo objekto.

Būtina apibrėžti operatoriaus darbo saugos priemones. Jos turi remtis poveikio vertinimu realioje įrankio naudojimo situacijoje (atsižvelgiant į visą darbo ciklo dalis: laiką, kuomet įrankis yra išjungtas ir kuomet veikia tuščia eiga, išskyrus įjungimo laiką).

DARBAS:

1. Prieš pradėdami darbą patikrinkite pjovimo disko būklę tam, kad išvengtų netinkamo pjūklų darbo.
2. Darbą pradėkite nuo pjovimo linijos žymėjimo pjaunamoje medžiagoje.
3. Įrenginys turi saugos mygtuką (23), kuris saugo nuo atsitiktinio paleidimo. Norėdami paleisti pjūklą, iš karto paspauskite saugos mygtuką, o po to įjunkite paleidimo jungiklį (22) ir laikykite jį šioje pozicijoje. Palaukite kol pjūklas pasiekia maksimalų apsisukimų greitį.
4. Pjūklą padą (11) pridėkite prie apdorojamos medžiagos taip, kad pado paviršius gerai prisilieštų prie medžiagos paviršiaus, o pjovimo linijos rodyklė (21) būtų virš šios linijos.
5. Darbo metu (stumkite tolygiai pjūklą), kai pjūklas įeina į medžiagą pasiekia disko gaubtas (18), tai leidžia pjauti. Gaubto spyruoklės dėka gaubtas grįžta į savo padėtį, kai diskas išeina iš medžiagos.
6. Pjūklą veskite teisiai. Netiesus pjūklų vedimas gali užblokuoti diską. O tai gali priversti prie variklio „sudegimo“ bei garantijos praradimo, o net gi gali būti nelaimingo atsitikimo priežastimi.
7. Pjovimo užbaigimas įvyksta kai:
 - a) pjovimo diskas išeina iš pjaunamos medžiagos;

b) atlaisvinamas pjūklų jungiklis (22);

c) diskas visiškai sustoja;

d) įrankis padedamas saugioje vietoje.

8. Darbo pabaiga, parašyta punkte 7, atlikus šiuos veiksmus:

a) maitinimo laido kištukas yra ištraukiamas iš elektros lizdo;

b) pjūklas yra nuvalomas nuo pjuvenų ir dulkių;

c) pjūklas yra padėtas saugioje, nepasiekiamoje pašaliniam vietoje (pav. nepasiekiamoje vaikams vietoje).

PJOVIMO DISKO KEITIMAS:



DĖMESIO: Prieš atliekant pjovimo disko keitimą būtina išjungti įrenginį nuo elektros maitinimo ir palaukti kol diskas nustoja sukis.

Pjovimo disko montavimo metu naudokite apsaugines pirštines. Kontakto su pjovimo disku atveju galima susižaloti.

Naudokite tik atitinkamus parametrus turinčius diskus, kurie yra nurodomi šioje instrukcijoje.

Draudžiama dirbti su šlifavimo diskais.

Pav. C 3 puslapyje parodyti pjovimo disko (14) montavimo įrenginio veleno elementai:

15. Šešiakampis varžtas

16. Varžto tarpiklis

17. Užspaudimo išorinis flanšas

28. Užspaudimo vidinis flanšas

Norėdami pakeisti pjovimo diską atlikite šiuos veiksmus:

– Paspauskite veleno blokavimo svertą (20) ir prilaikykite šioje pozicijoje. Imbusiniu raktu (27) atsukite montavimo varžtą (15) (pav. D, 3 p.).

DĖMESIO: Veleno blokavimo svertą (20) galima spausti tik, kai velenas nejuda. Kitu atveju galima pažeisti įrenginį.

– Gaubto rankena (2) pakelti į užpakalinę pusę ir prilaikyti. Nuimti užspaudimo išorinį flanšą ir pjovimo diską (14) nuo veleno (pav. E, 3 p.).

DĖMESIO: Nenuimkite vidinio užspaudimo flanšo (28); jeigu flanšas įkristų, tai būtina į uždėti plokščiu paviršiumi į išorinę pusę įrenginio korpuso atžvilgiu.

Pjūklų montavimą atlikite atvirktine eiga. Uždedant pjovimo diską būtina atkreipti dėmesį ar sutampa disko apsisukimų kryptis. Rodyklės diske kryptis turi sutapti su rodyklės pjovimo disko gaubte kryptimi.

PJOVIMO GYLIO NUSTATIMAS (pav. F):

Negilus įpjovimus (mažesnius negu medžiagos storis) galima atlikti nustatant norimą gylį, nuleidžiant pjūklą padą (11) iki tinkamos padėties.

Atjunkite pjūklą laidą nuo elektros maitinimo. Atlaisvinkite pjovimo gylio nustatymo varžtą (25). Pastumkite padą į apačią iki norimo pjovimo gylio. Užveržkite varžtą (25).

PJOVIMO KAMPO NUSTATIMAS (pav. G):

Pjūklų galima atlikti įpjovimus nuo 0° iki 45° kampu medžiagos paviršiaus atžvilgiu. Tam tikslui būtina nustatyti pjūklą padą (11) reikiamoje padėtyje.

Atjunkite pjūklą laidą nuo elektros maitinimo. Atlaisvinkite pado varžtą (9). Nustatykite pjūklą padą norimu kampu. Užveržkite varžtą.

LYGIAGREČIO PJOVIMOVEDŽIOKLIS (pav. H):

Vedžiolklis (13) leidžia atlikti lygiagrečių pjaunamajam paviršiumi pjovimą.

Atjunkite pjūklą laidą nuo elektros maitinimo. Įdėkite vedžioklį į skylę pjūklo pado priekyje.

Nustatykite norimą pjovimo plotį. Užveržkite vedžioklį varžtu (10). Pradėkite pjovimą.

LAZERINIS RODIKLIS:

Lazerinis rodomas parodo pjovimo liniją. Pjaunamos medžiagos paviršiuje pažymėkite pjovimo liniją ir pjovimo metu veskite lazerinį rodomą pagal šią liniją.

Lazeris maitinamas dviem elementais AAA 1,5V. Atsukite varžtą (6) ir nuimkite gaubtą (5). Įdėkite maitinimo elementus pagal (+) ir (-) (pav. I). Po to uždarykite gaubtą ir užveržkite varžtą.

Norėdami įjungti arba išjungti lazerinį rodomą paspauskite jo mygtuką (4) (pav. A).

Prieš pradėdami darbą patikrinkite ar pjovimo linija yra rodoma gerai. Lazerinis rodomas gali pakeisti savo nustatymus dėl vibravimo pjovimo metu.

DĖMESIO: Po darbo pabaigos būtina išjungti lazerinį rodomą.

KONSERVAVIMAS, LAIKYMAS IR TRANSPORTAVIMAS:

Prietaisas beveik nereikalauja specialios priežiūros. Prietaisą laikykite vietoje nepasiekiamoje vaikams; prietaisas turi būti švarus bei saugomas nuo dulkių ir drėgmės. Laikymo sąlygos turi užtikrinti saugumą nuo mechaninių pažeidimų bei oro sąlygų poveikio.

Po darbo rekomenduojama nuvalyti pjūklą nuo pjuvenų ir dulkių. Tai palengvina prilaikyti pjovimo disko gaubtą (2), kuris leidžia atidengti pjovimo diską (13).



DĖMESIO! Rankena naudokitės tik atliekant priežiūros ir aptarnavimo darbus; prieš tai būtina išjungti elektros maitinimą.

Jeigu darbo patalpoje buvo daug dulkių, po darbo rekomenduojama pravalyti įrenginio ventilacines angas suslėgtu oru – tai saugo guolius bei pagerina variklio aušinimą.

Nešvarumus iš lazerinio rodomo angos (12) atsargiai valykite lazdele su vata; naudokite priemonės skirtas stiklo valymui.

Pjūklą transportuokite bei laikykite pakuotėje saugančioje nuo dulkių, smulkių objektų pteikimo ir drėgmės – ypatingai saugokite ventilacines angas.

Kilus techninėms problemoms prašome kreiptis į įgaliota techninės priežiūros centrą.

APLINKOS APSAUGA:



DĖMESIO: Pateiktas simbolis reiškia, kad panaudotas prietaisas draudžiama išmesti kartu su kitomis atliekomis (už pažeidimų gresia pinigine bausde). Panaudoti elektros prietaisai bei elektroninės dalis ir komponentai turi neigiamą poveikį aplinkai ir žmonių sveikatai.

Namų ūkis turėtų prisidėti prie panaudotos įrangos utilizavimo bei pakartotino medžiagų panaudojimo (perdirbimo). Lenkijoje ir Europoje yra kuriama arba jau veikia panaudotos įrangos surinkimo sistema. Todėl visi paminėtos įrangos pardavimo taškai yra įpareigoti priimti panaudotą įrangą. Be to yra specialūs panaudotos įrangos priėmimo taškai.

GAMINTOJAS:

PROFIX Sp. z o.o.;

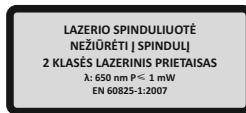
ul. Marywilska 34, 03-228 Warszawa, LENKIJA

Šis prietaisas atitinka šalies bei Europos reikalavimus bei visus saugos reikalavimus.

DĖMESIO! Prietaiso remontą gali atlikti tik kvalifikuotas personalas, naudojant tik originalias atsargines dalis.

PIKTOGRAMAI:

Paveikslėlių esančių prietaiso firminėje lentelėje ir informaciniuose lipdukuose paaiškinimas:



– «Prieš įjungdami perskaitykite naudojimo instrukciją!»



– «Visada dėvėkite apsauginius akinius!»



– «Naudokite dulkių kaukę!»



– «Naudokite klausos apsaugos priemones!»



PROFIX įmonė siekia tobulinti savo produktus, todėl gali keistis produktų specifikacijos. Apie šiuos pasikeitimus įmonė nėra įpareigota nepranešti. Paveikslėliai esantis aptarnavimo instrukcijoje tai tik pavyzdžiai bei gali skirtis nuo nusipirkto prietaiso.

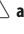
Ši instrukcija yra apsaugojama autoriaus teise. Kopijavimas/plėtojimas be PROFIX Sp. z o.o. leidimo raštu draudžiamas.



PŘED ZAHÁJENÍM POUŽÍVÁNÍ SE SEZNAMTE S TÍMTO NÁVODEM.

Uchovávejte návod pro případné další použití.



POZOR! Přečtěte si všechny výstrahy týkající se bezpečnosti používání označené symbolem  a veškeré pokyny týkající se bezpečnosti používání.

Nedodržování uvedených bezpečnostních výstrah a bezpečnostních pokynů může být příčinou zásahu elektrickým proudem, požáru a/nebo závažných úrazů.

Uchovávejte výstrahy a pokyny týkající se bezpečnosti pro případné použití v budoucnosti.

V níže uváděných výstrahách pojem „elektronářadí“ znamená elektronářadí napájené z elektrické sítě (elektrickým vodičem) nebo elektronářadí napájené baterií (bezdrátové).



VÝSTRAHA! Všeobecné výstrahy týkající se bezpečného používání nářadí.

Bezpečnost na pracovišti:

- Udržujte na pracovišti pořádek a zajistěte zde dobré osvětlení. *Nepořádek a špatné osvětlení často zapříčiňují nehody.*
- Nepoužívejte elektronářadí ve výbušném prostředí tvořeném hořlavými tekutinami, plyny nebo prachem. *Elektronářadí vytváří jiskry, které by mohly zapálit prach nebo výpar.*
- Nepouštějte děti ani jiné pozorovatele na místa, kde se používá elektronářadí. *Rušení pozornosti může způsobit ztrátu kontroly nad elektronářadím.*



VÝSTRAHA! Všeobecné výstrahy týkající se bezpečného používání nářadí.

Elektrická bezpečnost:

- Zástrčky nářadí musí odpovídat zásuvkám. Nikdy žádným způsobem nepředělávejte zástrčky. V případě elektronářadí, které má vodič s ochranným uzemněním, nepoužívejte žádné prodlužovačky. *Původní nepředělávané zástrčky a zásuvky snižují riziko zásahu elektrickým proudem.*
- Vyvarujte se dotýkání uzemněných ploch nebo takových, které jsou spojené s hmotou, jako jsou trubky, ohřívače, radiátory ústředního topení a chladničky. *V případě dotýkání takových ploch a předmětů roste riziko zásahu elektrickým proudem.*
- Nevystavujte elektronářadí na působení deště nebo vlhka. *Pokud by se do elektronářadí dostala voda, roste riziko zásahu elektrickým proudem.*
- Kabely se nesmí žádným způsobem namáhat. Nikdy nepoužívejte kabel k nošení, tažení elektronářadí nebo k vytahování zástrčky ze zásuvky. Kabel musí být umístěn daleko od zdrojů tepla, oleje, ostrých hran nebo pohyblivých částí. *Poškozené nebo propletené kabely zvyšují riziko zásahu elektrickým proudem.*
- V případě, že se elektronářadí používá venku, je třeba prodlužovat elektrické kabely prodlužovací určenými na práci venku. *Používání prodlužovače určeného do venkovního prostředí snižuje riziko zásahu elektrickým proudem.*
- Doporučuje se připojení zařízení k elektrické síti vybavené proudovým chráničím (RCD) s vypínacím proudem 30mA nebo menším.

- Pokud je nezbytné použití elektronářadí ve vlhkém prostředí, je třeba použít jako ochranu proudový chránič (RCD). *Použití RCD snižuje riziko zásahu elektrickým proudem.*



VÝSTRAHA! Všeobecné výstrahy týkající se bezpečného používání nářadí.

Osobní bezpečnost:

- Toto zařízení nesmí používat osoby (včetně dětí) s omezenou fyzickou, smyslovou nebo psychickou schopností, nebo osoby, které nemají odpovídající zkušenosti nebo znalosti zařízení, leda že je používají s příslušným dozorem, nebo v souladu s návodem na používání zařízení, který jim předají osoby zodpovědné za jejich bezpečnost.
- Při používání elektronářadí je třeba být předvídatý, pozorovat, co se děje, a používat zdravý rozum. *Nepoužívejte elektronářadí, pokud jste unaveni nebo pod vlivem drog, alkoholu nebo léků. Chvilje nepozornosti při práci s elektronářadím může způsobit závažné osobní úrazy.*
- Je třeba používat osobní ochranné prostředky. *Je třeba vždy používat ochranné brýle. Používání v příslušných podmínkách takových ochranných prostředků, jako je protiprachová respirační maska, protiskluzová obuv, přilba nebo chrániče sluchu, snižují nebezpečí osobních úrazů.*
- Je třeba se vyhnout neplánovanému spuštění. Před připojením k elektrickému zdroji a/nebo před zapojením baterie a než se nářadí zvedne, nebo přeneše, je třeba se ujistit, že je vypínač elektronářadí v poloze vypnuto. *Přenesení elektronářadí s prstem na vypínači nebo připojení elektronářadí do sítě se zapojeným vypínačem může být příčinou nehody.*
- Před spuštěním elektronářadí je třeba odstranit všechny klíče. *Ponechání klíče v otáčející se části elektronářadí může způsobit poranění.*
- Je zakázáno přilís se naklánět. *Po celou dobu musíte stát pevně a udržovat rovnováhu. Umožní Vám to dobře kontrolovat elektronářadí při nepředvídatelných situacích.*
- Je třeba mít vhodné oblečení. *Při práci nenoste volné oblečení ani bižuterii. Je třeba zajistit, aby Vaše vlasy, oblečení a rukavice byly v bezpečné vzdálenosti od pohyblivých částí. Volné oblečení, bižuterie nebo dlouhé vlasy se mohou zachytit do pohyblivých částí.*
- Pokud je zařízení přizpůsobeno na napojení k vnějšímu odsávání prachu a pohlcovači prachu, ujistěte se, že jsou připojeny a řádně se používají. *Použitím pohlcovačů prachu můžete omezit nebezpečí závislé na prašnosti.*
- Neodvolte, aby vaše znalosti získané častým používáním elektronářadí způsobily, že se budete cítit sebejistě a začnete ignorovat bezpečnostní pravidla. *Neopatrnost při činnosti může způsobit v zlomku sekundy závažný úraz.*



VÝSTRAHA! Všeobecné výstrahy týkající se bezpečného používání nářadí.

Používání elektronářadí a péče o ně:

- Elektronářadí se nesmí přetěžovat. *Je třeba používat elektronářadí s výkonem vhodným pro provádění určité práce. Správné elektronářadí umožní lepší a bezpečnější práci se zátěží, na kterou bylo naprojektováno.*

- b) Elektronářadí, u kterého nefunguje spínač, se nesmí používat. Každé elektronářadí, které nelze zapínat nebo vypínat spínačem, je nebezpečné a je třeba je opravit.
- c) Před provedením každého seřízení, výměny součástky nebo před skladováním odpojte zástrčku elektronářadí od zdroje elektrického proudu a/nebo odpojte baterií. Takový bezpečnostní postup omezuje riziko náhodného spuštění elektronářadí.
- d) Nepoužívané elektronářadí uchovávejte mimo dosah dětí a nedovolte přístup osobám, které nejsou obeznámené s elektronářadím nebo s tímto návodem na používání elektronářadí. Elektronářadí může být nebezpečné v rukách nevyškolených uživatelů.
- e) Elektronářadí je třeba udržovat. Je třeba kontrolovat souosost nebo zaseknutí pohyblivých částí, praskliny součástí a veškeré další faktory, které by mohly ovlivnit činnost elektronářadí. Pokud zjistíte poškození, musíte elektronářadí před použitím opravit. Příčinou mnohých nehod je neodborná údržba elektronářadí.
- f) Řezací nástroje musí být ostré a čisté. Řádná údržba ostrých hran řezacích nástrojů snižuje pravděpodobnost zaseknutí a usnadňuje obsluhu.
- g) Elektronářadí, vybavení, pracovní nástroje apod. používejte v souladu s tímto návodem, při čemž zohledňujte pracovní podmínky a druh prováděné práce. Používání jiným způsobem, pro který není elektronářadí určeno, může způsobit nebezpečné situace.
- h) V nízkých teplotách, nebo pokud se nářadí po delší dobu nepoužívá, doporučuje se zapnout elektronářadí bez zátěže po dobu několika minut za účelem řádného promazání mechanismu pohonu.
- i) K čištění elektronářadí použijte měkký, vlhký (ne mokry) hadřík a mýdlo. Nepoužívejte benzin, rozpouštědla a další prostředky, které by mohly poškodit zařízení.
- j) Elektronářadí je třeba skladovat / dopravovat až potom, co se ujistíte, že jsou veškeré jeho pohyblivé součásti zablockované a zajištěné proti odblokování s použitím původních součástek určených k tomuto účelu.
- k) Elektronářadí skladujte na suchém místě chráněném proti prachu a průniku vlhkosti.
- l) Doprava elektronářadí by měla probíhat v původním obalu tak, aby bylo chráněné proti mechanickému použití.
- m) Držáky a plochy uchopení udržujte čisté, nezamaštěné olejem a mazivem. Kluzké držáky a plochy uchopení neumožňují bezpečné držení nářadí a jeho plnou kontrolu v nečekaných situacích.



VÝSTRAHA! Všeobecné výstrahy týkající se používání nářadí.

Oprava:

- a) Záruční a pozáruční opravy svého elektronářadí provádí Servis PROFIX, což zaručuje nejvyšší kvalitu oprav a používání původní náhradních dílů.
- b) Pokud by byl pevný přírodní kabel zařízení poškozený, je třeba jej nechat vyměnit u výrobce nebo v odborné opravně, nebo kvalifikovanou osobou, abyste tak zamezili ohrožení.



VÝSTRAHA!

KOTOUČOVÁ PILA, výstrahy týkající se bezpečnosti:

- a) **Držte ruce v bezpečné vzdálenosti od oblasti řezání a pily. Držte druhou ruku na pomocném držáku nebo na krytu motoru. Pokud držíte pilu oběma rukama, Nevystavíte je nebezpečí poranění pilou.**
- b) **Nesahejte na spodní stranu řezaného předmětu. Kryt nechrání před pilou ze spodní strany zpracovávaného materiálu.**
- c) **Nastavujte hloubku řezu podle hrubky řezaného předmětu. Doporučuje se, aby kotouč třel pod řezaný materiál méně, než je výška zubu.**
- d) **Nikdy nedržte řezaný předmět v rukách nebo na nohou. Upevněte zpracovávaný předmět na stabilním podstavci. Dobré upevnění zpracovávaného předmětu je důležité, abyste zamezili kontaktu s tělem, vzpříčení pily nebo ztrátě kontroly nad prováděným řezem.**
- e) **Během práce, při které by pila mohla přijít ke styku s elektrickými vodiči pod napětím nebo se svým vlastním kabelem, držte pilu za izolované plochy určené k tomuto účelu. Kontakt s „vodiči pod napětím“ může přivést elektrické napětí do kovových částí elektronářadí a způsobit úraz obsluhy.**
- f) **Během podélného řezání vždy používejte vodič lištu určenou na podélné řezání nebo vedení po hraně. Zlepšíte tak přesnost řezu a zmenšíte možnost zaseknutí pily.**
- g) **Vždy používejte pily se správným tvarem usazovacích otvorů (např. kosotčvercový nebo kulatý tvar). Kotouče, které se nehodí na upevňující držák, mohou pracovat excentricky a způsobit ztrátu kontroly nad prováděnou prací.**
- h) **Nikdy nepoužívejte na upevnění kotouče poškozené nebo nesprávné podložky nebo šrouby. Podložky a šrouby na upevnění kotouče byly navrženy zvlášť pro tuto pilu, aby bylo zajištěno její optimální fungování a bezpečné používání.**

Důvody zpětného rázu a jak mu předcházet:

- zpětný ráz je náhlé zvednutí a vrčení kotouče směrem k obsluze v linii řezu, způsobené nekontrolovaným vzpříčením, zaseknutím nebo nesprávným vedením kotouč pily;
- pokud je kotouč pily je vzpříčený nebo stlačený ve spáře, kotouč se zastavuje a reakce motoru způsobuje prudký pohyb pily směrem dozadu k obsluze;
- pokud je kotouč zkroucená nebo špatně postavený směrem k řezanému materiálu, zuby pily po výstupu z materiálu mohou udeřit do horní plochy řezaného materiálu a způsobit tak zvednutí pily a její odraz směrem k obsluze.

Zpětný ráz vzniká v důsledku nesprávného používání pily nebo nesprávných postupů nebo podmínek provozu a lze mu zamezit přijetím níže uvedených bezpečnostních prostředků.

- a) **Držte pilu silně, oběma rukama, s pažemi v takové poloze, abyste vydrželi sílu zpětného rázu. Stůjte v poloze z jedné strany pily, ale ne v linii řezu. Zpětný ráz může způsobit prudký pohyb pily dozadu, ale sílu zpětného rázu může obsluha kontrolovat, pokud byly přijaté příslušné bezpečnostní prostředky.**
- b) **Když se kotouč pily zasekne, nebo když se řezání z nějakého důvodu přeruší, je třeba vypnout spínač a držet pilu nehybně v materiálu, dokud se kotouč zcela nezastaví. Nikdy nezkoušejte odstranit pilu z řezaného materiálu, ani netahejte pilu dozadu, dokud se kotouč pily pohybuje, protože může způsobit zpětný ráz. Prozkoumejte situaci a**

přijměte korigující opatření, za účelem odstranění příčiny zasekávání pily.

- c) **V případě opětovného spuštění pily v zpracovávaném materiálu vystředte kotouč pily v řezu a zkontrolujte, jestli nejsou zuby pily zaseknuty v materiálu.** Pokud se kotouč vzpříčí při opětovném spuštění, může se vysunout nebo způsobit zpětný ráz od zpracovávaného předmětu.
- d) **Velké desky zajistěte , abyste takto minimalizovali riziko zaseknutí a zpětného rázu kotouče.** Velké desky mají tendenci se prohnout svou vlastní váhou. Podpěry pod deskou by měly být umístěné na obou stranách, poblíž linie řezu i poblíž okraje desky.
- e) **Nepoužívejte tupé nebo poškozené pily.** Neostré nebo nesprávně postavené zuby pily vytvářejí při řezu nadměrné tření, což může způsobit zaseknutí pily a zpětný ráz.
- f) **Nastavujte pevně svěrky hloubky řezu a úhlu sklonu kotoučové pily před provedením řezu.** Pokud se nastavení pily mění během řezání, mohlo by to způsobit vzpříčení a zpětný ráz.
- g) **Obzvlášť si dávejte pozor během provádění «zapichovacího řezu» v existujících příčkách nebo jiných slepých prostorech.** Trčící kotouč pily může narazit na předměty, které nevidíte, čímž způsobí zpětný ráz.
- h) **Před každým použitím kontrolujte, zda je dolní kryt řádně zasunutý. Nepoužívejte pilu, pokud se dolní kryt nepohybuje volně a nezavírá se okamžitě. Nikdy nepřipevňujte dolní kryt v otevřené poloze.** Pokud by se stalo, že pilu náhodou upustíte, dolní kryt může zůstat zahnutý. Zvedněte dolní kryt pomocí odtahovacího držáku a ujistěte se, jestli se volně pohybuje a nedotýká se pily nebo jiné části při každém nastavení úhlu a hloubky řezu.
- i) **Zkontrolujte fungování dolní pružiny. Pokud kryt a pružina nefungují správně, měly by být před použitím opraveny.** Dolní kryt může fungovat pomalu z důvodu poškozených částí, lepkých usazení, nebo shromáždění odpadů.
- j) **Manuální vrácení dolního krytu je přípustné pouze při zvláštních řezech jako „zapichovací řez“ a „složený řez“.** Zvedněte dolní kryt s použitím odtahovacího držáku, a když se pila vrátí do materiálu, je třeba dolní kryt uvolnit. V případě všech ostatních řezů se doporučuje, aby dolní kryt fungoval samostatně.
- k) **Před postavením pily na dílenském stole nebo na podlaze vždy sledujte, jestli dolní kryt samočinně přikryl kotouč.** Nechráněný okraj způsobí, že se pila bude vracet dozadu a řezat cokoliv na své cestě. Je třeba si uvědomit, že kotouč potřebuje po vypnutí pily čas na zastavení.



POZOR! Použijte odsávání prachu!

Pokud výrobce předpokládá odsávání nebo shromažďování prachu, zkontrolujte, zda jsou zapojené a správně namontované.



VÝSTRAHA!

Používejte ochranné vybavení. Vždy používejte ochranné protiprachové respirátory.

Kontakt nebo vdechování prachu vznikajícího během řezání ohrožuje zdraví uživatele a případně i jiných osob, které by byly poblíž. Pro ochranu proti prachu a výparům si nasadte si respirační masku a pečujte také o bezpečnost jiných osob, které jsou na pracovišti.



POZOR! Nepoužívejte žádné kotoučové s jinými rozměry, než uvedené v tomto návodu na obsluhu. Používejte výhradně řezací kotouče s vhodným průměrem a tloušťkou, přizpůsobené k rychlosti obrátek vřetena této pily.

- **Nepoužívejte kotouče z vysokolegované rychlořezné oceli.** Pily tohoto druhu se snadno lámou.
- **Nepoužívejte kotouče na kov nebo kámen.**
- **Používejte výhradně ostré řezací kotouče, které jsou v ideálním stavu; prasknuté nebo prohnuté kotouče okamžitě vyměňte na nové.**
- **Zkontrolujte, jestli je kotoučová pila dobře upevněná a otáčí se správným směrem.**



VÝSTRAHA!

Vždy používejte ochranné pomůcky. Vždy používejte ochranné brýle.



VÝSTRAHA!

Používejte ochranné pomůcky. Vždy používejte ochranu sluchu.



VÝSTRAHA! Ruční kotoučová pila, další výstrahy týkající se bezpečnosti –

Osobní bezpečnost:

1. Nezapínejte kabel přívodu elektrického proudu (26) ke zdroji proudu, pokud se neujistíte, že:
 - a) zdroj napájení má parametry odpovídající parametrům pily uvedeným na firemním štítku,
 - b) je upevněný kotouč na dřevě a dřevité materiály s přípustnou max. rychlostí otáček stejnou nebo větší než 4700 /min,
 - c) řezací kotouč (14) je správně a řádně upevněný, při čemž jsou šipky jak na řezacím kotouči, tak na ochranném krytu otočené stejným směrem (19),
 - d) řezací kotouč (14) je ostrý, v dobrém technickém stavu, bez jakýchkoliv poškození, prasklin, úbytů,
 - e) vypínač pily (22) je ve vypnuté poloze, a bezpečnostní tlačítko (23) a tlačítko pojistky vřetena (20) jsou uvolněné,
 - f) imbusový klíč (27) pro upínání kotouče byl vyndán ze šroubu na upínání kotouče (15) a je mimo plem působnosti pily,
 - g) šrouby jsou řádně dotaženy: - nastavení hloubky řezu (25), - nastavení úhlu řezu (9), - nastavení rovnoběžného řezání (10),
 - h) posuvný kryt řezacího kotouče (18) je funkční a zůstává v zavřené poloze.
2. V případě práce s prodlužovačem je třeba se ujistit, že parametry prodlužovače, průřezy vodičů, vyhovují parametrům pily. Doporučuje se používat co nejkratší prodlužovače. Prodlužovač by měl být zcela rozvinutý.
3. Před zapnutím pily se ujistěte, že v obráběném materiálu nejsou hřebíky, šrouby vrutů a/nebo jiných cizích těles.
4. Nikdy neblokuje kryt řezacího kotouče (18).
5. Při spuštění pily a při práci s pilou ji držte za oba držáky (3) a (7).
6. Zapínejte stroj pouze tehdy, když se řezací kotouč (14) nedotýká obráběné části.
7. Řez začínajte po tom, co pila dosáhne maximálních obrátek.

8. Řez provádějte pouze tehdy, když se plocha stopka pily (11) silně opírá na ploše řezaného materiálu.
9. Nikdy během řezání netlačte na pilu nadměrnou silou. Mohlo by to způsobit nehodu spojení s vážným nebo život ohrožujícím úrazem a/nebo poškozením přetíženého motoru. Na poškození motoru (závitový zkrat) způsobený přetížením stroje se nevztahuje záruční oprava!
10. S použitím pily se nesmí provádět řez po oblouku, obrábět hrany, frézovat, jelikož to může způsobit nehodu spojení s vážným nebo život ohrožujícím úrazem a/nebo poškození stroje, na které se nevztahuje záruční oprava.
11. Po vypnutí pily nikdy nebrzdíte pohyb kotouče přitlačením k řezanému materiálu.
12. Pravidelně kontrolujte stav vrutu upevňujících tělo pily. V případě potřeby je dotáhněte (šroubovák Ph3).
- 13.



Pila je zařízení vybavené laserovým vedením s laserem třídy 2 v souladu s EN 60825. Je zakázáno dívat se do svazku laserového světla a směřovat laserem přímo do očí osob a zvířat. Pohled do světla laseru třídy 2 není škodlivý, pokud netrvá déle než 0,25 s. Reflex zavírání víček je zpravidla dostatečnou ochranou. Použití optických zařízení, například brýlí, dalekohledů nezpůsobuje zvýšení rizika poškození očí.

POUŽITÍ V SOULADU S URČENÍM:

Kotoučová pila je nástroj určený k řezání dřeva, překližky, dřevotřísky a podobných materiálů na bázi dřeva.

Nelze ji používat na řezání nebo broušení kovu nebo kamene ani nelze na ní montovat kotouče určené na řezání nebo broušení kovu nebo kamene. Pila je upravená k rovným řezům. Nehodí se k provádění řezu po oblouku.

K používání v souladu s určením patří také dodržování pokynů týkajících se bezpečnosti, návodu na montáž a provozních pokynů v návodu na obsluhu. Osoby, které obsluhují zařízení a provádějí jeho údržbu, se musí seznámit s těmito pokyny a musí být řádně poučeny o možných nebezpečích.

Kromě toho je třeba co nejpřesněji dodržovat předpisy týkající se bezpečnosti práce a ochrany zdraví.

POZOR: Nevystavujte elektronářadí na působení deště nebo vlhkosti.

Každé použití zařízení jinak, než to vyplývá z jeho výše uvedeného určení, je zakázané, způsobuje ztrátu záruky a osvobozuje výrobce od odpovědnosti za takto způsobené škody.

Jakékoliv úpravy zařízení prováděné uživatelem osvobozuje výrobce od odpovědnosti za poškození a škody způsobené uživateli a v okolí.

Správné používání elektronářadí se týká také údržby, skladování, dopravy a oprav.

Elektronářadí mohou opravovat pouze servisní opravny určené výrobcem. Zařízení, které je napájeno ze sítě, by měly opravovat pouze osoby, které jsou k tomuto oprávněny.

I při používání nářadí v souladu s jeho určením nelze zcela eliminovat určité rizikové faktory. Vzhledem ke konstrukci a stavbě stroje se mohou vyskytnout následující ohrožení:

- Dotek řezacího kotouče v nechráněné oblasti.
- Sáhnutí na pracující kotouč (řezná rána).
- Zpětný ráz zpracovávaného předmětu nebo jeho části.
- Prasknutí/zlomení řezného kotouče.

- Poškození sluchu v případě nepoužívání nezbytné ochrany sluchu.
- Zdraví škodlivé emise dřevitého prachu v případě práce v uzavřených prostorech.

Zařízení není určeno pro profesionální použití, řemeslné nebo průmyslové. Záruční smlouva neplatí, pokud se zařízení používalo v řemeslnických nebo průmyslových dílnách nebo pro obdobnou činnost.

KOMPLETACE:

- Kotoučová pila - 1 ks.
- Vedení pro rovný řez - 1 ks.
- Řezací kotouč Ø 185 x Ø 20 x 2.5mm x 24T-1 ks.
- Klíč imbusový - 1 ks.
- Baterie pro napájení laserového vedení (1,5V «AAA») - 2 ks.
- Uhlíkové kartáčky - 2 ks.
- Návod na obsluhu - 1 ks.
- Záruční list - 1 ks.

KONSTRUKCE STROJE:

Kotoučová pila je nářadí ve druhé třídě ochrany (dvoji izolace) a je poháněna jednofázovým motorem.

Konstrukce pily je znázorněna na obr. na str. 2-3:

- Obr. A:**
1. Výhoz pilin
 2. Držák krytu řezacího kotouče
 3. Držák
 4. Tlačítko zapnout/vypnout laserového vedení
 5. Kryt schránky na baterie laserového vedení
 6. Vrut upevňující kryt
 7. Pomocný držák
 8. Měřítka úhlu sklonu
 9. Šroub nastavení úhlu řezu
 10. Šroub nastavení vodící lišty rovnoběžného řezu
 11. Patka pily
 12. Výstupní otvor laserového svazku
 13. Vodící lišta rovnoběžného řezu
 14. Řezací kotouč
 15. Šroub upevnění kotouče
 16. Podložka šroubu
 17. Vnější přitlačná manžeta
 18. Sklopný kryt řezacího kotouče v poloze:
 - otevřen (obr. A),
 - zavřen (obr. B)
 19. Šípky směru otáček řezacího kotouče
- Obr. B:**
20. Tlačítko pojistky vřetena
 21. Značky ukazující linii řezu při sklonu patky v úhlu 0° a 45°
 22. Zapínač
 23. Bezpečnostní tlačítko
 24. Měřítka hloubky řezu
 25. Šroub nastavení hloubky řezu
 26. Napájecí vodič
 27. Klíč imbusový

Obr. C: 28. Vnitřní přitlačná manžeta

Obr. I: 29. Baterie

Jedná se o univerzální stroj k manuálnímu vedení se sevřenou ergonomickou konstrukcí. Umožňuje uživateli řídit hloubku řezu a přizpůsobit stoj tloušťce řezaného materiálu a provádět úkosové řezy (plocha řezu není pravouhlá vůči povrchu řezaného materiálu).

Je to bezpečný stroj, ve kterém byla použita konstrukce umožňující samočinné regulování odkrývání a zakrývání řezného kotouče během práce.

Konstrukce stroje umožňuje také uživateli snadno obsluhovat tlačítka, pojistky a držáky splňující požadované užité a obslužné-údržbové funkce.

TECHNICKÉ ÚDAJE:

Jmenovité napětí	230-240 V	
Jmenovitý kmitočet	50 Hz	
Odebíraný výkon	1500 W	
Otáčky max.	4700/min	
Max. průměr řezného kotouče	185 mm	
Průměr otvoru řezacího kotouče	20 mm	
Max. rychlost otáček kotouče	≥ 4700/min	
Hloubka řezu (0°/45°), max.	65 mm/45 mm	
Úhel řezu	0° ~ 45°	
Laser	třída laseru	2
	délka vln laseru	650 nm
	výkon laseru	≤ 1mW
Třída zařízení	II/III	
Hmotnost	4,3 kg	
Délka napájecího kabelu	3 m	
Hladina akustického tlaku (LpA), (K=±3dB(A))	94 dB(A)	
Hladina akustického výkonu (LwA), (K=±3dB(A))	105 dB(A)	
Úroveň vibrací podle normy: EN 60745 (tolerance měření K=1,5 m/s ²)	4,26 m/s ²	

Uvedená úroveň vibrací platí pro základní použití elektronářadí. Pokud by bylo elektronářadí použito jinak nebo s jinými pracovními nástroji, a také pokud nebude prováděna dostatečná údržba, úroveň vibrací se může lišit od uvedené. Výše uvedené důvody mohou způsobit zvýšení vystavení vibracím během celé doby práce.

Je třeba uplatnit další bezpečnostní prostředky, jejichž účelem je ochrana obsluhy proti důsledkům vystavení vibracím, např.: údržbu elektronářadí a pracovních nástrojů, zajištění vhodné teploty rukou, určení pořadí pracovních úkonů.

Deklarovaná celková hodnota vibrací a deklarované hodnoty emisí hluku byly naměřeny standardními způsoby zkoušení a lze je používat pro účely srovnávání s jinými nářadími.

Deklarovaná celková hodnota vibrací a deklarované hodnoty emisí hluku lze využívat při předběžném vyhodnocení vystavení.

Výstrahy:

Vibrace a emise hluku během skutečného používání elektronářadí se mohou lišit od deklarovaných hodnot v závislosti na způsobu, jakým je nářadí používáno, a především v závislosti na druhu obráběného předmětu.

Je třeba určit bezpečnostní prostředky na ochranu obsluhy, a to na základě odhadu skutečného vystavení během používání (při zohlednění všech částí operačního cyklu, jako je doba, po kterou je nářadí zapnuto, a doba, kdy je na volnoběhu, s výjimkou doby spouštění).

PRÁCE S PILOU:

- Před zahájením práce je třeba prověřit stav řezacího kotouče, abyste zamezili přetížení a nesprávné práci pily.
- Práci začněte označením linie řezu na materiálu.
- Zařízení je vybaveno bezpečnostním tlačítkem (23), které brání náhodnému spuštění pily. Pro spuštění pily nejprve zmáčkněte bezpečnostní tlačítko a následně zmáčkněte vypínač pily (22) a držte jej ve stlačené poloze. Umožněte, aby kotouč najel do maximálních otáček.
- Přiložte patku pily (11) na řezaný materiál tak, aby plocha patky dobře ležela na řezaném materiálu, a značka ukazující linii řezu (21) byla nad touto čarou.
- Během práce s pilou (posuvného pohybu dopředu) při postupném zahlubování řezacího kotouče do materiálu bude sklopný kryt kotouče (18) postupně odkrývat kotouč a umožňovat tak řezání materiálu. Zpětné péro vrátí kryt do původní polohy, jakmile se kotouč vysune z řezaného materiálu.
- Veďte pilu přesně přímočaře. Nepřímochaře vedení pily může vést k růstu odporu při řezu a k zablokování kotouče. V důsledku takové situace může dojít ke zkratce závitů motoru a ztrátě záručních nároků a případně k závažné nehodě.
- Ukončení řezu pilou proveďte následujícím způsobem:
 - počkejte, až rotující řezný kotouč úplně opustí řezaný materiál,
 - povolte tlačítko vypínače pily (22),
 - počkejte, dokud kotouč pily nepřestane rotovat,
 - položte stroj na bezpečné místo.
- Ukončení práce s pilou proveďte, po provedení úkonů uvedených v bodě 7., následujícím způsobem:
 - vytáhněte zástrčku kabelu napájení z elektrické zásuvky,
 - očistěte pilu z pilin a prachu,
 - zajistěte pilu proti přístupu neoprávněných osob (např. dětí).

VÝMĚNA ŘEZACÍHO KOTOUČE:

POZOR: Před zahájením výměny řezacího kotouče odpojte stroj od zdroje elektrického proudu.

Během montáže kotouče používejte ochranné rukavice. Při kontaktu s kotoučem existuje nebezpečí poranění.

Používejte výhradně řezací kotouče, jejichž parametry souhlasí se jmenovitými údaji uvedenými v tomto návodu na obsluhu.

V žádném případě nepoužívejte jako pracovní nástroj brusné kotouče.

Obrázek C na str. 3 znázorňuje součástky upevňující řezný kotouč (14) na hřídele stroje:

- Šroub s šestihrannou hlavou
- Podložka šroubu
- Vnější přitlačná manžeta
- Vnitřní přitlačná manžeta

Výměnu proveďte následujícím způsobem:

– Zmáčkněte tlačítko zablokování vřetena (20). S použitím připojeného montážního nářadí (27) (imbusový klíč č.6) odšroubujte upínací šroub (15) (obr. D, str. 3).

POZOR! Nespínajte tlačítko blokování vřetena (20), za provozu stroje. Mohli byste tím elektronářadí poškodit.

– S použitím držáku krytu (2) sklopte kryt dozadu a přidržte. Sundejte vnější přitlačnou manžetu a řezný kotouč (14) z hřídele stroje (obr. E, str. 3).

POZOR: Nesundávejte vnitřní přítlačnou manžetu (28); pokud manžeta vypadne, je třeba jí nasadit zpátky plochou stranou směrem ven od těla stroje.

Při nasazení řezacího kotouče provádíme výše uvedené úkony v opačném pořadí. Při nasazování řezacího kotouče věnujte pozornost souhlasnému směru otáček kotouče. Směr šípky na kotouči musí souhlasit se směrem šípky na krytu řezacího kotouče.

NASTAVENÍ HLOUBKY ŘEZU (obr. F):

Provádění mělkých zářezů, které jsou menší než tloušťka zpracovávaného materiálu, je možné při nastavení požadované hloubky řezu spuštěním patky pily (11) do příslušné polohy.

Odpojte pilu od napájení. Povolte šroub nastavení hloubky řezu pily (25). Posuňte patku dolů na požadovanou hloubku řezu. Utáhněte šroub (25).

NASTAVENÍ ÚHLU SKLONU ŘEZU (obr. G):

Pila umožňuje zešikmený řez vzhledem k ploše v rozsahu 0° ~ 45°. Za tímto účelem je třeba umístit patku pily (11) do požadované polohy.

Odpojte pilu od přívodu proudu. Povolte šroub (9) upevňující patku. Nastavte patku pily do požadovaného úhlu. Zajištěte nastavení.

POUŽÍVÁNÍ VODÍCÍ LÍŠTY PRO ROVNOBĚŽNÝ ŘEZ (obr. H):

Vodící lišta (13) umožňuje řezat rovnoběžně s hranou řezaného materiálu.

Odpojte pilu od přívodu proudu. Zasuňte vodící lištu do štěrbin na přední straně patky pily.

Nastavte požadovanou šířku řezu. Upevněte vodící lištu šroubem (10). Můžete zahájit řezání.

LASEROVÉ VEDENÍ:

Laserové vedení ukazuje linii řezu. Na povrchu zpracovávaného předmětu označte požadovaný průběh řezu a během řezání vedte laserový svazek podél označené čary.

Laser je napájen dvěma bateriemi typu AAA, 1,5V každá. Je třeba odšroubovat vrut (6) a sundat kryt laserového ukazovatele (5). Namontovat baterie na jejich místo v souladu s jejich polarizací (+) a (-) (obr. I). Následně uzavřít schránku krytem a připevnit ji vrutem.

Pro zapnutí nebo vypnutí laserového ukazatele je třeba stlačit vypínač/zapínač (4) (obr. A).

Před zahájením řezání zkontrolujte, zda se linie řezu správně zobrazuje. Laserové vedení se může vlivem vibrací při intenzivním používání elektronářadí posunout.

POZOR: Po každém ukončení řezání je třeba laserové vedení vypnout.

ÚDRŽBA, UCHOVÁVÁNÍ A DOPRAVA:

Stroj v podstatě nevyžaduje zvláštní údržbu. Nářadí skladujte na místě, které není přístupné dětem, udržujte jej čisté, chraňte před vlhkem a zaprášením. Podmínky skladování by měly vylučovat možnost mechanického poškození nářadí a minimalizovat vliv škodlivých povětrnostních podmínek.

Po práci se doporučuje očistit pilu z pilin a prachu. Uspadňuje to držák řezacího kotouče (2), který umožňuje odkrytí řezací kotouče (13).



POZOR: Držák používejte pouze během provádění údržby a obsluhových činností a to výhradně po předchozím odpojení stroje od zdroje elektrického proudu.

Po práci ve velmi prašném prostředí se doporučuje pročištění ventilačních



Politika firmy PROFIX je politikou průběžného zdokonalování výrobků, z toho důvodu si firma vyhrazuje právo změnit specifikaci výrobku bez předchozího informování. Obrázky, uvedené v návodu na obsluhu, jsou pouze příklady a mohou se lišit od skutečného vzhledu zakoupeného zařízení.

Tento návod je chráněn autorským zákonem. Jeho kopírování / rozmnožování bez písemného souhlasu společnosti PROFIX s.r.o. je zakázáno.

otvorů proudem stlačeného vzduchu – brání to předčasnému opotřebením ložisek a odstraňuje prach blokující přístup vzduchu chladícího motor.

Viditelná znečištění ve výstupním otvoru laserového svazku (12) opatrně odstraňte vatovou tyčinkou namočenou do tekutého prostředku na čištění skla.

Pilu dopravujte a uchovávejte v obalu z důvodu ochrany proti vlhkosti, průnik prachu a drobných pevných těles – především je třeba chránit ventilační otvory. Drobné součásti, které se dostanou pod kryt, by mohly poškodit motor.

V případě technických problémů se obraťte na servis s příslušným oprávněním.

OCHRANA ŽIVOTNÍHO PROSTŘEDÍ:



POZOR: Zobrazený symbol znamená zákaz likvidace zařízení dohromady s jinými odpady (na porušení zákazu se vztahuje pokuta). Nebezpečné složky, které se nacházejí v elektrickém a elektrotechnickém vybavení mají negativní vliv na životní prostředí a lidské zdraví.

Domácnosti by se měly zapojit do získávání zpět a opětovného využívání (recyklace) starých elektrospotřebičů. V Polsku a v Evropě se tvoří nebo už existuje systém sběru elektroodpadu, v rámci kterého mají všechna prodejní místa elektrospotřebičů povinnost přijímat elektroodpad. Kromě toho existují sběrná místa pro elektroodpad.

VÝROBCE:

PROFIX Sp. z o.o., ul. Marywilska 34, 03-228 Warszawa, Polsko

Toto zařízení vyhovuje vnitrostátním i evropským normám a bezpečnostním požadavkům.

POZOR: Veškeré opravy musí provádět kvalifikovaní odborníci, s použitím původních náhradních dílů.

PIKTOGRAMY:

Vysvětlení ikon umístěných na firemním štítku a na informačních nálepkách na zařízení:



«Před spuštěním zařízení si přečtěte návod na obsluhu!»



«Vždy používejte ochranné brýle»



«Používejte ochranné masky proti prachu»

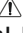


«Používejte prostředky na ochranu sluchu»

**HASZNÁLAT ELŐTT OLVASSA EL EZEKET AZ UTASÍTÁSOKAT!**

Tartsa meg ezt az útmutatót későbbi tájékozódás céljából!



FIGYELEM! Olvassa el a  szimbólummal jelzett, a munkavédelemmel kapcsolatos összes figyelmeztetést és a biztonságos használatra vonatkozó összes utasítást!

A következő biztonsági előírások be nem tartása miatt baleset, áramütés, tűzveszély és/vagy komoly sérülés fordulhat elő

Őrizze meg az összes munkavédelmi figyelmeztetést és utasítást későbbi felhasználás céljából!

Az alábbi figyelmeztetések során használt „elektromos szerszám” kifejezés olyan szerszámot jelöl, melynek áramellátása hálózatról (tápkábellel) vagy akkumulátorral (kábel nélkül) történik.



FIGYELEM! Általános munkavédelmi szabályok:
Munkahelyi biztonság:

- Tartsa tisztán a munkaterületét és ügyeljen a jó megvilágításra!** A munkaterületén uralkodó rendetlenség balesetekhez vezethet.
- Ne dolgozzon elektromos szerszámmal robbanásveszélyes környezetben, gyulladásveszélyes folyadékok, gázok vagy folyadékok közelében.** Az elektromos szerszámok használata során szikra keletkezhet, mely belobbanthatja a port és a gőzöket.
- Tartsa távol a gyermekeket attól a helytől, ahol használja az elektromos szerszámot.** A figyelemelterelés miatt elveszítheti kontrollját az elektromos szerszám felett.



FIGYELEM! A szerszám biztonságos használatával kapcsolatos általános szabályok:

Elektromosbiztonság:

- Az elektromos szerszám csatlakozó dugója meg kell feleljen az aljzattal. Tilos a csatlakozó dugó módosítása! Tilos hosszabbítók használata a védőföldeléses kábellel ellátott elektromos szerszámok esetében!** A csatlakozó dugók és aljzatok módosítása növeli az áramütés kockázatát!
- Kerülje a testi érintkezést a földelt felületekkel vagy tárgyakkal, mint a csövek, fűtőtestek, fűtőradiátorok vagy hűtőszekrények!** A földelt részekkel való érintkezés esetén nő az áramütés kockázata!
- Ne tegye ki esőnek vagy nedves környezetnek az elektromos szerszámot!** Víz behatolása esetén nő az áramütés kockázata!
- Ne erőltesse a csatlakozó kábel! Ne használja a hálózati kábelt a szerszám mozgatására, húzására vagy a csatlakozó dugó aljzattól történő kihúzására.** Tartsa távol a hálózati kábelt hőforrásoktól, olajtól, éles szélektől és mozgó alkatrészekről! A sérült vagy összegabalyodott kábelek növelik az áramütés kockázatát!
- Amennyiben az elektromos szerszámot a szabadban használja, a csatlakozást a szabadban történő használatra alkalmas kültéri hosszabbítókkal kell megoldani. A szabadban történő használatra alkalmas hosszabbítók használata csökkenti az áramütés kockázatát.**
- A berendezést 30mA vagy kisebb kioldó áramú védőkapcsolós (RCD) elektromos hálózatra javasolt kapcsolni csatlakoztatni.**

- Amennyiben az elektromos szerszámot nedves környezetben használja, elkerülhetetlen egy feszültségvédelmi eszköz használata, mint egy hibaáram védelmi kapcsolóé (RCD). Az RCD használata csökkenti az áramütés kockázatát.**



FIGYELEM! A szerszám használatának biztonságával kapcsolatos általános figyelmeztetések:

Személyi biztonság:

- Ez a berendezés nem használható csökkentett fizikai, szenzoriális vagy mentális képességű személyek (beleértve a gyermekeket is), tapasztalattal nem rendelkező személyek vagy olyan személyek által, akik nem ismerik a berendezést, kivételt képeznek azok a helyzetek, amikor a berendezés használata felügyelet alatt vagy a használati utasítások betartásával történik egy, a biztonságért felelős személy által.**
- Legyen figyelmes, összpontosítson arra, amit csinál és legyen mindig annak tudatában, hogy elektromos szerszámmal dolgozik! Ne használja az elektromos szerszámot, ha fáradt, ha kábítószert, alkoholt vagy gyógyszer befolyása alatt áll!** Elektromos szerszám használatánál egy pillanatra figyelmetlenség is komoly sérülések okozója lehet!
- Hordjon védőruházatot! Minden esetben viseljen védőszemüveget!** Olyan védőruházat hordása mint a porvédő maszk, csúszásbiztos cipő, fülvédő vagy hallásvédő csökkenti a sérülések kockázatát!
- Kerülje el, hogy az elektromos szerszám véletlenül bekapcsoljon! A hálózati áramforrásra történő csatlakozás és/vagy az akkumulátor csatlakoztatása, valamint a szerszám felemelése vagy mozgatása előtt, győződjön meg arról, hogy az elektromos szerszám kapcsolója kikapcsolt állapotban van!** Az elektromos szerszám mozgatása vagy bekapcsolt állapotban történő használata balesetet okozhat!
- Az elektromos szerszám beindítása előtt távolítson el minden szerszámot a közelből!** Az elektromos szerszám mozgó részein hagyott szerszámok sérüléseket okozhatnak!
- Ne hajtjon le mélyen! Álljon biztosan és tartsa meg az egyensúlyát!** Ez az elektromos szerszám jobb ellenőrzését teszi lehetővé váratlan helyzetekben.
- Ötözzön fel megfelelően! Ne hordjon bő ruházatot vagy ékszert! Haját kösse be, ruházatát és kesztyűjét tartsa távol a mozgó alkatrészekről!** A bő ruházat, az ékszer és a hosszú haj beleakadhat a mozgó alkatrészekbe.
- Amennyiben a berendezés alkalmas külső porszívó és porgyűjtő csatlakoztatására, győződjön meg arról, hogy ezek helyesen lettek csatlakoztatva és használva. A porgyűjtő használata csökkentheti a porral járó veszélyek kockázatát.**
- Ne engedje, hogy az elektromos szerszám gyakori használatára során szerzett jártasság hatására túlzott magabiztossá váljon és figyelmen kívül hagyja a biztonsági szabályokat. A figyelmen kívül hagyás egy pillanat alatt súlyos testi sérülést okozhat.**



FIGYELEM! A szerszám biztonságos használatára vonatkozó általános figyelmeztetések:

Az elektromos szerszám használata és gondozása:

- Ne terhelje túl az elektromos szerszámot! Az elvégzendő**

munkához szükséges teljesítmény függvényében használjon elektromos szerszámokat! A megfelelő elektromos szerszám jobb működést és biztosabb terhelést tesz lehetővé.

- b) **Tilos az elektromos szerszám használata, ha a kapcsoló nem indítja el és nem állítja meg a szerszámot!** Minden elektromos szerszám, amely nem indul el vagy nem áll meg, veszélyes és meg kell javítani!
- c) **Minden beállítás, alkatrészcsere vagy tárolás előtt húzza ki a csatlakozás dugóját az elektromos szerszám hálózati áramforrásából és/vagy vegye ki az akkumulátort!** Ezek a biztonsági intézkedések csökkentik az elektromos áram véletlenszerű bekapcsolását.
- d) **A használaton kívüli elektromos szerszámot gyermekektől távol kell tárolni, és nem szabad kölcsön adni olyan személyeknek, akik nem ismerik az elektromos szerszámot vagy nem olvasták el annak használati utasításait!** Az elektromos szerszám veszélyes, ha tapasztalat nélküli személy használja!
- e) **Az elektromos szerszámot karban kell tartani!** Ellenőrizni kell a mozgásban lévő alkatrészek vonalbeállítását vagy zavarát, az alkatrészek törését és egyéb tényezőket, melyek befolyásolhatják az elektromos szerszám működését! Ha rongálódást észlelünk, az elektromos szerszámot még használat előtt meg kell javítani! Számos baleset oka az elektromos szerszám nem megfelelő karbantartása.
- f) **A vágószerszámok élesek és tiszták kell legyenek!** A vágószerszámok éles alkatrészeinek karbantartása csökkenti az anyagba történő beakadás kockázatát és megkönnyíti a használatot.
- g) **Az elektromos szerszámot, a berendezést, a munkaszerszámokat, stb. jelen utasításoknak megfelelően kell használni, figyelembe véve a munka jellegét és feltételeit.** Az elektromos szerszám rendeltetésétől eltérő használata veszélyes helyzeteket okozhat.
- h) **Alacsony hőmérsékleten vagy hosszabb használaton kívüli időszakot követően ajánlott az elektromos szerszám teher nélküli elindítása néhány percre a kenőanyag átviteli mechanizmusba történő helyes elosztása érdekében.**
- i) **Az elektromos szerszám tisztításához puha, nedves (nem vizes) rongyot és szappant használjon!** Ne használjon benzint, oldószert vagy egyéb anyagokat, amelyek károsíthatják a berendezést!
- j) **Az elektromos szerszámot csak azután lehet tárolni/szállítani, miután megbizonyosodtunk arról, hogy minden mozgó elem rögzítésre és biztosításra került a rögzítésre szánt eredeti elemek segítségével.**
- k) **Az elektromos szerszámot száraz helyen kell tartani, védve a portól és a nedvességtől.**
- l) **Az elektromos szerszám szállítása az eredeti csomagolásban történhet, megvédve ezáltal a mechanikai sérülésektől.**
- m) **A markolatot és a fogófelületeket tisztán, olaj- és kenőanyagtól mentesen kell tartani. A csúszós markolatok és fogófelületek lehetetlenné teszik a szerszám biztonságos fogását és felügyeletét az esetleges váratlan szituációkban.**



FIGYELEM! A szerszám biztonságos használatára vonatkozó általános figyelmeztetések:

Javítás:

- a) **Az elektromos szerszámok garanciális és garancia utáni javítását a PROFIX Szerviz végzi, ami garantálja a javítás kiváló minőségét és az eredeti alkatrészek használatát.**
- b) **Amennyiben a tápkábel sérült, a gyártónál vagy egy speciális javítóműhelyben vagy egy szakember által újjal kell kicserélni a balesetek elkerülése érdekében.**



FIGYELEM!

KÖRFŰRÉSZ, biztonságra vonatkozó figyelmeztetések:

- a) **Tartsa távol kezzeit a vágófelülettől és a korongtól!** Másik kezét helyezze a segédfogantyúra vagy a motor gépházára! Ha mindkét kezével tartja a fűrészt, elkerülhető, hogy a fűrésztől sérülést okozzon a kezén.
- b) **Ne tartsa kezét a megmunkált tárgy alatt!** A védőburkolat nem védi meg a megmunkált tárgy alatti részen.
- c) **Állítsa be a megmunkált tárgy vastagságának megfelelő vágásmélységet!** Ajánlott, hogy a korong olyan hosszban lógjon ki a vágott anyag alól, amely rövidebb a fogmagasságánál.
- d) **Soha ne tartsa a vágandó tárgyat a kezében vagy a lábán! Rögzítse stabil tartóra a megmunkált tárgyat!** A megmunkált tárgy jó rögzítése fontos annak érdekében, hogy elkerülhető legyen a testtel való érintkezés, a fűrésztől leblokkolása vagy a vágás feletti ellenőrzés elvesztése.
- e) **Amikor dolgozik, a fűrészt az erre a célra szánt szigetelt felületénél ragadj meg, a fűrészt érintkezhet feszültség alatt lévő kábellel vagy saját tápkábelével.** A „feszültség alatt lévő kábelek” „feszültség alá helyezhetik” az elektromos szerszám fém alkatrészeit, ez pedig a kezelő áramütését idézheti elő.
- f) **Mindig használja a hosszanti vagy oldalvezetőt, amikor hosszanti szakaszt munkál meg!** Ez javítja a vágási pontosságot és csökkenti a korong blokkolási lehetőségét.
- g) **Használjon mindig a befogónyílásokhoz megfelelő méretű és formájú korongokat (például rombusz vagy kör alakúakat)! A nem megfelelő korongok excentrikusan kezdenek működni, ez pedig a működés feletti ellenőrzés elvesztéséhez vezet.**
- h) **Soha ne használjon sérült vagy nem megfelelő csavarokat vagy alátétgyűrűket a korong beszerelésékor!** Az alátétgyűrűk és rögzítő csavarok különösen a mechanikus fűrészekhez lettek tervezve a működés és a felhasználó optimális biztonsága érdekében.

A visszaugrás megjelenésének okai és megelőzési módjai:

- a visszaugrás a fűrészt hirtelen megemelkedését és a kezelő irányába történő visszahúzását jelenti a vágási vonalban, melyet a beakadt vagy nem megfelelően irányított fűrésztől beakadt korongjának ellenőrizetlen vágása okoz,
- amikor a fűrésztől korongja be van akadva vagy a hasadásba van beszorulva, a korong megáll és a motor reakciója a fűrészt hátrafelé történő hirtelen mozgását okozza, a kezelő irányába,
- amikor a fűrésztől korongja be van szorulva vagy nem megfelelően van behelyezve a vágott elembe, a fűrészt fogai kiesnek az anyagból és megüthetik az átmeztett anyag felső felületét, ez pedig a fűrészt megemelkedéséhez és a kezelő irányába történő visszaugrásához vezet.

A visszaugrás a fűrészt nem megfelelő használatának tudható be vagy a nem megfelelő eljárásoknak vagy feltételeknek köszönhető és elkerülhető, ha betartja az alábbi megfelelő elővigyázatossági intézkedést:

- a) **Tartsa mindkét kezével szorosan a fűrészt, karjait úgy helyezze, hogy ellen tudjon állni a visszaugrás erejének! Helyezkedjen el a fűrészt oldalára, de ne a vágási vonal irányába!** A visszaugrás a fűrészt hátrafelé történő hirtelen mozgásához vezethet, de a kezelő kontrollálhatja ennek erejét, ha betartja a megfelelő biztonsági előírásokat.
- b) **Amikor a fűrészt beszorul vagy amikor bármilyen okból kifolyólag félbehagyja a vágást, nyomja meg a kapcsolót és tartsa mozdulatlanul az anyagban, amíg a fűrészt korongja teljesen megáll. Soha ne próbálja meg kivenni a fűrészt a vágott anyagból és ne húzza vissza a fűrészt, amíg a fűrészt korongja mozog vagy visszaugrást okozhat!** Ellenőrizze és tegyen meg minden javítási műveletet a fűrészt leállításának okai kiküszöbölése érdekében!
- c) **Amikor a megmunkált elembe indítja el a fűrészt, állítsa be a fűrészt korongját a vágásba és ellenőrizze, hogy a korong fogai nincsenek az anyagba fogva!** Amennyiben a fűrészt korongja beszorul, az újbóli bekapcsoláskor visszaugrást okozhat.
- d) **Tartsa meg a nagy méretű lemezeket a beszorulás vagy a korong visszaugrás kockázatának minimalizálása érdekében! A nagy méretű lemezek hajlamosak meghajolni saját súlyuk alatt. A tartókat mindkét oldalon a lemezek alatt kell elhelyezni, a vágási vonal és a lemezszélének közelében!**
- e) **Ne használjon életlen vagy sérült korongot!** Az életlen fogú vagy rosszul elhelyezett fogakkal rendelkező korong keskeny vágást képez, amely felesleges súrlódást, a fűrészt beszorulását és visszaugrást okoz.
- f) **Vágás előtt rögzítse jól a kapcsolókat a vágási mélység és a korong hajlásszögének beállításához!** Amennyiben a fűrészt beállított paraméterei a vágás során változnak, ez a korong beszorulásához és visszaugrásához vezethet.
- g) **Különösen ügyelnie kell akkor, amikor a létező falakba vagy egyéb zárt helyeken végez «mély vágást»!** A kibúvó korong más tárgyakat is elvághat és ez visszaugrást okozhat.
- h) **Minden használat előtt ellenőrizze az alsó fedelet, hogy lássa, helyesen lett-e elhelyezve! Ne használja a fűrészt abban az esetben, ha az alsó fedél nem mozog szabadon és nem záródik be azonnal! Ne rögzítse és soha ne hagyja nyitva az alsó fedelet!** Amennyiben a fűrészt véletlenül leesik, az alsó fedél meghajolhat. A húzókar segítségével emelje fel az alsó fedelet és minden lehetséges szögbeállításnál és minden vágási mélységnél ellenőrizze, hogy szabadon mozog-e és hogy nem érinti a korongot vagy egyéb darabot
- i) **Ellenőrizze az alsó fedél rugójának működését!** Amennyiben a fedél és a rugó nem működik megfelelően, használat előtt meg kell javítani! Az alsó fedél lassan működhet a sérült alkatrészek, ragacsos váladék lerakódás vagy ülepdedékretegződés miatt.
- j) **Az alsó fedél kiemelése csak akkor megengedett, ha olyan speciális vágásokat végez, mint a „mély vágás” és „kombinált vágás”!** A húzókar segítségével emelje fel az alsó fedelet, mert amennyiben a korong mélyen az anyagba helyeződik, az alsó fedél fel kell engedni! Minden egyéb vágásnál a fedélnek autonóm módon kellene működni.
- k) **Az alsó fedélnek takarnia kell a korongot még mielőtt a fűrészt a műhelyasztalra vagy a padlóra helyezné.** A fűrészt védtelen szélei hozzájárulhatnak a fűrészt visszahúzódsához és minden, az útjába kerülő tárgy vágásához.



FIGYELEM! Használjon porszívó készülékeket!

Amennyiben a gyártó porszívó és –tároló készülékkel látta el a szerszámot, ellenőrizze, hogy azok megfelelően lettek csatlakoztatva és beszerelve!



FIGYELMEZTETÉS!

Használjon védőfelszerelést! Minden alkalommal használjon porvédő maszkot!

A vágás során keletkezett porral történő érintkezés vagy annak belélegzése veszélybe sodorja a felhasználó és az esetlegesen a környezetében tartózkodó személyek egészségét. A por és gőz elleni védelem érdekében használjon porvédő maszkot és ügyeljen a készülék használati helyén tartózkodó személyek biztonságára!



FIGYELEM! Ne használjon a jelen használati utasításokban szereplő mérettől eltérő méretű fűrészkorongot!

Csak megfelelő átmérőjű és vastagságú vágókorongot használjon, amely a fűrészt tengelyforgási sebességéhez lett igazítva!

- Gyors vágáshoz ne használjon ötvöztött acél korongot! Ezek a korongok könnyen eltörnek!
- Ne használja a fűrészt fém vagy kő vágására!
- Csak ideális állapotú éles korongot szereljen be! Azonnal cserélje le újakra a repedt vagy hajlott korongokat!
- Ellenőrizze, hogy a korong jól lett-e beszerelve és hogy a megfelelő irányba forog-e!



FIGYELMEZTETÉS!

Használjon védőfelszerelést! Mindig használjon védőszemüveget!



FIGYELMEZTETÉS!

Használjon védőfelszerelést! Mindig használjon hallásvédőt!



FIGYELMEZTETÉS! Körfűrészt, biztonságra vonatkozó figyelmeztetések –

Személyi biztonság:

1. Ne helyezze a tápkábelt (26) az áramforrásba, amíg nem biztos abban, hogy:
 - a) az áramforrás a gyártási lapon feltüntetett körfűrészt paramétereknek megfelelő paraméterekkel rendelkezik;
 - b) a beszerelt korong fa és faszármarékok vágására szolgál és 4700/perc maximális forgási sebességgel működik;
 - c) a vágókorong (14) helyesen lett beszerelve (a korongon található jelzők iránya (19) azonos a védődobozon szereplő jelzők irányával);
 - d) a vágókorong (14) éles, jó műszaki állapotban van, hiány, repedés és egyéb hiányosság nélkül;
 - e) a körfűrészt kapcsolója (22) „kikapcsolt” pozícióban van, a kapcsolózár (23) és a tengelyzár (20) pedig meg vannak lazítva;
 - f) a korong rögzítéséhez szükséges imbuszkulcs (27) ki van húzva a korongot rögzítő csavarból (15) és a körfűrészt hatósugarán kívül helyezkedik el;
 - g) a – vágási mélységet beállító (25), a vágási szöget beállító (9) és a párhuzamos vágás vezető (10) – zárok jól meg lettek szorítva;

h) a vágókorong védő (18) betölti szerepét és kikapcsolt pozícióban marad.

- Amennyiben hosszabbítót használ, bizonyosodjon meg arról, hogy a hosszabbító paraméterei, a kábelek szakaszai megfelelnek a körfűrész paramétereivel. Ajánlott minél rövidebb hosszabbítót használni! A hosszabbító teljesen ki kell legyen feszítve!
- A körfűrész bekapcsolása előtt bizonyosodjon meg arról, hogy a megmunkált tárgyban nincsenek-e szegek, csavarok és/vagy egyéb idegen testek.
- Soha ne rögzítse a vágókorong védőt (18).
- Amikor bekapcsolja a körfűrész és dolgozik vele, mindkét kezével tartsa azt (3) és (7)!
- Csak akkor kapcsolja be a gépet, amikor a korong (14) nem érinti a megmunkált tárgyat.
- Akkor kezdje el a vágást, amikor a körfűrész eléri a maximális forgást!
- Csak akkor kezdjen el vágni, amikor a körfűrész lábának (11) felszíne a vágott anyag felszínéhez biztonságosan van támasztva.
- Soha ne nyomja túl nagy erővel a körfűrész! Ez balesetet okozhat és ennek következtében egészségkárosodáshoz vagy életvesztéshez és/vagy a túlterhelt motor meghibásodásához vezethet. A készülék túlterheltsége miatti motor meghibásodás (a terheléssel elége) javítása nem része a garanciában szereplő javításoknak!
- Tilos a körfűrészrel az ív vonala mentén vágni, szeleket megmunkálni, marni, ami balesetet okozhat és ennek következtében egészségkárosodáshoz vagy életvesztéshez és/vagy a berendezés meghibásodásához vezethet, aminek javítása nem része a garanciában szereplő javításoknak!
- A körfűrész kikapcsolása után tilos a korong mozgásának a vágott anyaggal történő lassítása!
- Rendszeresen ellenőrizze a körfűrész törzsét rögzítő csavarok állapotát! Szükség esetén csavarozzon (Ph3-as csavarhúzó)!
- A fűrész egy EN 60825 szabvány szerinti 2. lézérosztályú lézerjelölővel felszerelt berendezés.



Nem szabad belenézni a lézersugárba és a fényforrást más személyek vagy állatok felé irányítani. A 2. lézérosztályú lézer által sugárzott fénybe történő belenézés nem ártalmas, ha az legfeljebb 0,25 s ideig tart. A szem automatikus becsukása a legtöbb esetben elégséges védelmet nyújt. Optikai eszközök használata, például a szemüvegek, látszővek vagy a távcsővek nem növelik a szemsérülés kockázatát.

RENDELTESSZERŰ HASZNÁLAT:

A körfűrész fa, falemez, PAL és ehhez hasonló anyagok vágására használható.

Nem használható fém vagy kő vágására vagy csiszolására! Ugyanakkor tilos a körfűrészbe olyan korongot rögzíteni, amely fém és kő vágására vagy csiszolására alkalmas!

A körfűrész úgy van igazítva, hogy egyenes vonalban vágjon. Nem használható íves vágásra!

A készülék rendeltetésének megfelelő használata érdekében be kell tartania a biztonsági utasításokat és a beszerelési útmutatót, valamint a használati utasításokban leírt üzemeltetési utasításokat! Azok a személyek, akik használják a készüléket és annak karbantartását végzik, először el kell

olvassák ezeket az utasításokat és tudatosítaniuk kell a potenciális veszélyeket!

Ezen kívül szigorúan be kell tartania a balesetek megelőzésére vonatkozó törvényi előírásokat (Munkavédelem és -egészségügy)!

FIGYELEM! Ne tegye ki esőnek vagy nedves környezetnek az elektromos készüléket!

A fűrész nem megfelelő használata, amely eltér a fent említett rendeltetéstől tilos, és a garancia elvesztéséhez vezet, a gyártó nem felelős az ezekből eredő károkért.

A készülék összes, a felhasználó által végzett módosítása mentesíti a gyártót a felelősség alól a felhasználónak és a környezetnek okozott károkért.

Ugyanakkor a fűrész megfelelő használata a karbantartásra, tárolásra, szállításra és javításra is vonatkozik.

A fűrész csak a gyártó által megjelölt javítóműhelyekben javítható! A hálózatra kötött készülékeket csak engedélyezett személyek javíthatják!

Egyes reziduális kockázati tényezők még abban az esetben sem küszöbölhetőek ki teljesen, ha a készüléket a rendeltetésnek megfelelően használják. A készülék építési módjától és felépítésétől függően a következő kockázatok jelenhetnek meg:

- A korong működés közbeni, a fűrész fedetlen területén történő megérintése.
- A kéz kinyújtása a működésben lévő korong felé (vágott seb).
- A megmunkált tárgy vagy annak egy részének eldobása.
- A korong kilyukadása/eltérése.
- Halláskárosodás a szükséges hallásvédő használatának hiányában.
- Egészségre káros fűrészpor kibocsátások a munkálatok zárt helyen történő végzésékor.

A készülék nem szakmai, kézműipari vagy ipari felhasználásra készült! A garancia szerződés érvényét veszíti, amennyiben a berendezést kézműves műhelyek, ipari üzemek vagy hasonló tevékenységek során használják!

ELEMEK:

- Fűrészkorong – 1 db.
- Párhuzamos vágás vezető – 1 db.
- Vágókorong Ø 185 x Ø 20 x 24 – 1 db.
- Hatszögű kulcs – 1 db.
- Lézerjelölő elem (1,5V «AAA») - 2 db
- Szénkefe – 2 db.
- Használati utasítás – 1 db.
- Garanciakönyv – 1 db.

A BERENDEZÉS FELÉPÍTÉSE:

A körfűrész a második érintésvédelmi osztályba tartozó (kettős szigetelés) gép, melyet egy monofázisú motor működtet.

A fűrész felépítését a 2-3. oldalon szereplő képek mutatják be:

- A. rajz:**
- Fűrészpor elszívó
 - Vágókorong védelem fogantyú
 - Fogantyú
 - Lézerjelölő kapcsológomb
 - Lézerjelölő elemtartó fedél
 - Fedélrögzítő csavar

7. Segédfogantyú
8. Dőlt beosztású skála
9. Vágószög beállító csavar
10. Párhuzamos vágás vezetőt rögzítő csavar
11. Fűrészláb
12. Lézersugár kivezető nyílás
13. Párhuzamos vágás vezető
14. Fűrészkorong
15. Fogantyú rögzítő csavar
16. Tartó
17. Külső szorító csavaranya
18. Vágókorong ferde gépháza a köv. pozíciókban:
 - nyílt (A. rajz)
 - zárt (B. rajz)
19. Vágókorong forgási irányát jelző nyílak

B. rajz: 20. Tengelyrögzítő emelőkar

21. A 0° és 45°-os szögbe helyezett láb vágási vonal jelző megjelölés
22. Kapcsoló
23. Biztonsági gomb
24. Vágási mélység skála
25. Vágási mélység beállító csavar
26. Tápkábel
27. Hatszögű kulcs

C. rajz: 28. Belső szorító csavaranya

I. rajz: 29. Elemek

Egy kompakt formájú és ergonomikus kézi vezető univerzális berendezés. Lehetőséget nyújt a felhasználónak, hogy beállítsa a vágási mélységet, hogy a megmunkált anyag vastagságához igazítsa a berendezést és hogy különböző szögben végezzen vágásokat (a vágási sík nem merőleges a vágott anyag síkjára).

Ez a berendezés biztonságos a működés közbeni vágókorong kimenet és elrejtés önszabályozásának köszönhetően.

A berendezés felépítése lehetővé teszi a felhasználónak a gombok, zárak és bizonyos működőképes, kiszolgáló és megőrzési funkciók könnyű használatát.

MŰSZAKI ADATOK:

Névleges feszültség	230-240 V	
Névleges frekvencia	50 Hz	
Bemeneti teljesítmény	1500 W	
Max. forgássebesség	4700 /perc	
Fűrészlemez maximális átmérője	185 mm	
Fűrészlemez áteresztési átmérője	20 mm	
Fűrészlánc maximális fordulatszáma	≥ 4700 /perc	
Maximális vágási mélység (0°/45°)	65 mm/45 mm	
Szögvaság	0° ~ 45°	
Lézerjelölő	lézerosztály	2
	lézer hullámhossz	650 nm
	lézerteljesítmény	≤ 1mW
Berendezés osztálya	II/□	
Saját tömeg	4,3 kg	

Tápkábel hossza	3 m
Hangnyomás szint (LpA), (K=±3dB(A))	94 dB(A)
Hangerő szint (LwA), (K=±3dB(A))	105 dB(A)
EN 60745 szabvány szerinti átlagos rezgésszint (bizonytalanság K=1,5 m/s ²)	ah=4,26 m/s ²

Az említett vibrációs szint reprezentatív az elektromos készülék használata szempontjából. Amennyiben az elektromos készülék más célból vagy egyéb munkaeszközzel kerül használatra, illetve ha karbantartása nem megfelelő, a vibrációs szint eltérhet a megjelölttől. A fent említett okok a vibrációs expozíció szintje növekedéséhez vezethetnek a működés teljes ideje alatt.

Kiegészítő védelmi eszközöket kell használnia, melyek célja a vibrációs expozíció kezelőre gyakorolt hatásaitól való védelem, mint pl.: Elektromos készülék és munkaeszközök karbantartása, a kezek megfelelő hőmérsékletének biztosítása, a munkatevékenységek sorrendjének megállapítása.

A megadott rezgésszint és a megadott zajkibocsátás mérése szabványos vizsgálati módszerrel történt és felhasználhatók a szerszámok összehasonlítására.

A megadott rezgésszint és a megadott zajkibocsátás felhasználható a kezdeti expozíció megállapítására.

Figyelmeztetések:

Az elektromos szerszám tényleges használata során a rezgésszint és a zajkibocsátás eltérhet a megadott értékektől, attól függően, hogyan használja a szerszámot, különösen függ a megmunkált anyag típusától.

A kezelőszemély biztonsága érdekében meg kell határozni a biztonsági intézkedéseket, melyek a valós használat alatti expozíció megbecsülésén alapszik (figyelembe véve a művelet összes folyamatát, amikor a szerszám ki van kapcsolva, és amikor üresjáraton van, a kioldási idő kivételével).

A KÖRFŰRÉSZ HASZNÁLATA:

1. Használat előtt ellenőrizze a vágókorong állapotát a körfűrész túlterhelése és hiás működésének elkerülése érdekében!
2. A munkát a vágási vonal az anyagon történő berajzolásával kezdje!
3. A gép biztonsági gombbal (23) van ellátva, amely megelőzi a fűrész véletlenszerű bekapcsolását. A fűrész bekapcsolásához először nyomja meg a biztonsági gombot, majd a fűrész bekapcsoló gombját (22) és hagyja ebben a pozícióban! Hagyja, hogy a fűrész érje el a maximális fordulatot!
4. Helyezze úgy a körfűrész lábát (11) a vágandó anyagra, hogy a láb felszíne határozottan érintkezzen a megmunkált anyag felületével, a vágóvonal jelző (21) pedig eme vonal fölött legyen!
5. A körfűrész használata során (előretöltő mozgás) a korongvédő (18) fokozatosan feltárja a korongot az anyag vágásának könnyítése érdekében. A védő visszatérő rugója visszahelyezi a védőt a helyére, amikor a korong kijön a vágott anyagból.
6. A körfűrész pontosan egyenes vonalon kell vezetni! A körfűrész nem egyenes vonalon történő vezetése növeli a súrlódási ellállást és a korong leállításához vezethet. Ez a motor tekeréseléseinek elégtétéhez és a garanciális jogok elvesztéséhez, sőt súlyos balesethez vezethet.
7. A körfűrészrel történő vágás végeztével:
 - a) vegye ki teljesen a korongot a megmunkált anyagból,
 - b) lazítsa meg a kapcsológombot (22),

- c) várja meg, amíg a körfűrész korongjának forgása leáll,
 - d) helyezze biztos helyre a berendezést.
8. A körfűrész használatának végeztével, a 7-es pontnál leírtakon túl:
- a) húzza ki a tápkábelt az áramforrásból,
 - b) tisztítsa meg a körfűrész a fűrészporthól és a protól,
 - c) helyezze a körfűrész olyan helyre, ahová idegen személyeknek (pl. gyermekeknek) nincs bejárásuk.

ÁGÓKORONG CSERÉJE:



FIGYELEM! Mielőtt elkezdéné kicserélni a vágókorongot, húzza ki azt az áramforrásból és várja meg, amíg a korong megáll! A korong beszerelésekor használjon védőkesztyűt! A koronggal való érintkezéskor fennáll a sérülés veszélye!

Csak olyan fűrészkorongot használjon, melynek paraméterei megfelelnek jelen használati utasításban szereplő névleges információkka!

Egyáltalán ne használjon munkaszerszámok csiszolására való korongokat!

A 3. oldalon szereplő C. rajz a gép tengelyén található vágókorong (14) beszerelési elemeit ábrázolja:

- 15. Belsőhatlapú csavar
- 16. Anyáscsavar
- 17. Külső szorító csavaranya
- 28. Belső szorító csavaranya

A korong cseréjéhez:

– Nyomja meg a tengelyrögzítő emelőkart (20) és tartsa ebben a pozícióban! Hatszögű kulccsal (27) csavarozza ki a rögzítő csavart (15)! (D. rajz, 3. oldal)

FIGYELEM! A tengelyrögzítő emelőkart (20) csak akkor lehet meghúzni, amikor a tengely be van kapcsolva. Ellenkező esetben fennáll az elektromos készülék meghibásodása!

– A gépház fogantyújával (2) húzza hátra a gépházat és tartsa így! Vegye ki a külső szorító csavaranyát és a vágókorongot (14) a készülék tengelyéről! (E. rajz, 3. oldal)

FIGYELEM! Ne vegye ki a belső szorító csavaranyát (28)! Amennyiben ez leesik, szerelje vissza úgy, hogy a sík része a készülék gépejének elülső külső része felé irányuljon!

Az alátámasztás beszerelése a fentebb bemutatottakhoz képest fordított irányba történik. Amikor behelyezi a vágókorongot, figyeljen arra, hogy a forgásirány megfelelő legyen: a korongon lévő nyíl iránya ugyanaz kell legyen, mint a korongvédőn lévő nyíl iránya.

A VÁGÁSI MÉLYSÉG BEÁLLÍTÁSA (F. rajz):

A megmunkált anyag vastagságánál kisebb vastagságú vágások ejtése akkor lehetséges, ha beállítja a kívánt vágási mélységet a fűrész lábának (11) a megfelelő pozícióig történő lesüllyesztésével. Húzza ki a körfűrész az áramforrásból! Lazítsa meg a csavart (25), amely a vágási mélységet! Állítsa be a skálán a vágási mélység kívánt értékét! Rögzítse a csavart (25)!

VÁGÁSI SZÖG BEÁLLÍTÁSA (G. rajz):

A körfűrész 0°–45°-os szögben történő vágás lehetőségét nyújtja. Ennek érdekében rögzítse megfelelően a fűrész lábát (11) a kívánt pozícióba! Húzza ki a körfűrész az áramforrásból! Lazítsa meg a lábát rögzítő csavart (9)! Billentse oldalra a fűrész! Állítsa be a skálán a kívánt értéket! A csavar becsavarozásával rögzítse az adott pozíciót!

A PÁRHUZAMOS VÁGÁSVezető HASZNÁLATA (H. rajz):

A vezető (13) lehetővé teszi a megmunkált anyag szélén történő párhuzamos vágást.

Húzza ki a körfűrész az áramforrásból! Helyezze be a körfűrész a fűrész lába előtt lévő repedésekbe!

Állítsa be a kívánt vágási szélességet! A csavar (10) segítségével rögzítse a körfűrész! Kezdeje el a vágást!

LÉZERJELŐLŐ:

A lézerjelölő a vágás vonalát mutatja. A megmunkált anyag felületén he kell jelölni a tervezett vágásvonalat, míg a vágás során a lézervonalat a bejelölt vonal mentén kell vezetni.

A lézer táplálása két darab AAA 1,5V típusú elemmel történik. Csatarja ki a rögzítő csavart (6) és vegye le a lézerjelölő elemtartó fedelét (5). Tegye be az elemeket az elemtartóba a polaritásnak megfelelően (+) és (-) (I. ábra). Ezután zárja be az elemtartó fedelet és csavarja be a csavart.

A lézerjelölő bekapcsolásához vagy kikapcsolásához nyomja meg a kapcsológombot (4) (A. ábra).

Ellenőrizze a fűrészelés megkezdése előtt, hogy az megfelelően jelzi a vágásvonalat. A lézerjelölő az elektromos szerszám intenzív használata során keletkező rezgés miatt elállítható.

FIGYELEM: Minden fűrészelés után kapcsolja ki a lézerjelölőt.

KARBANTARTÁS, TÁROLÁS ÉS SZÁLLÍTÁS:

A szerszám nem igényel speciális karbantartást. A szerszámot száraz helyen kell tárolni, gyermekektől távol, tisztán kell tartani, óvni a nedvességtől és a portól! A tárolási körülmények ki kell küszöböljék a mechanikus rongálódásokat vagy a különböző időjárási viszonyok káros hatásainak lehetőségét!

Használat után ajánlott a fűrész fűrészporthól és portól történő tisztítása! Ennek érdekében a vágókorongot védő fogantyú (2) megnyomásával takarja ki a vágókorongot (13)!



FIGYELEM! A fogantyút csak a megőrzési és kezelési műveletek alatt lehet használni, a berendezés áramforrásról történő leválasztása után!

A nagyon poros légkörben való használat esetén ajánlott a szellőztetővel sűrített levegővel történő tisztítása, amely meggátolja a csapágy gyors elhasználódását és eltávolítja a port, amely gátolja a motor hűtése számára fontos levegővel való ellátást.

A lézersugár kivezető nyílásán (12) szemmel látható szennyeződéseket óvatosan távolítsa el lencsetisztító folyadékba áztatott fülpszkával.

A körfűrész olyan csomagolásban kell szállítani és őrizni, amely megvédi a nedvességtől és a portól – különös figyelmet szenteljen a szellőztetőnyílásokra! A gépházba bekerülő apró elemek a motor meghibásodását okozhatják!

Műszaki problémák esetén kérjük, keressen fel engedélyezett javítóműhelyt!

KÖRNYEZETVÉDELLEM:



FIGYELEM! Ez a jel azt jelöli, hogy a használt készüléket tilos egyéb hulladékkal egy helyen elhelyezni (pénzüntetés terhe mellett). Elektromos és elektronikus gépek veszélyes alkotórészei negatívan befolyásolják a környezetet és az emberek egészségét.

Minden háztartásnak hozzá kell járulnia a használt készülékek visszanyeréséhez és újrahasznosításához. Úgy Lengyelországban, mint

Európában megszervezik vagy már léteznek a használt készülékek gyűjtési rendszere, melynek keretében az adott készülék minden értékesítési helyén kötelesek átvenni a használt készüléket. Ezenkívül léteznek ilyen típusú készülékek gyűjtő központjai is.

GYÁRTÓ:

PROFIX Sp. z o.o.,

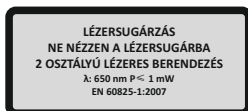
ul. Marywilka 34, 03-228 Warszawa, LENGYELORSZÁG

Ez a gép megfelel a nemzeti és európai szabályoknak, valamint a biztonsági előírásoknak.

FIGYELEM! Minden javítást szakképzett személy végezhet, kizárólag eredeti cserealkatrészt használva!

PIKTOGRAMOK:

A névleges táblázatokban és a tájékoztató címkéken szereplő jelek magyarázata:



– Bekapcsolás és üzemelés előtt olvassa el a használati utasításokat!



– A körfűrészsel történő vágás és a forgókorongok cseréje vagy beszerelése során védőszemüveg használata kötelező!



– A körfűrészsel történő vágás során porvédő maszk használata kötelező.



– A körfűrészsel történő vágás során hallásvédő használata kötelező!



A PROFIX cég a termékek állandó fejlesztésének a politikáját követi, ezért a cég fenntartja magának a jogot a termék specifikációjának előzetes értesítés nélküli módosítására. A használati útmutatóban megadott ábrák példa jellegűek és azok enyhén elterhetnek a megvásárolt berendezések valódi kinézetétől.

Az alábbi útmutatót szerzői jogok védik. Annak másolása / sokszorosítása a Profix Sp. z o.o. cég írásos beleegyezése nélkül tilos.

DT-CZ/d_zg/0156/05

Łomna Las: 2020.07.14

(EN) EC/EU DECLARATION OF CONFORMITY
(PL) DEKLARACJA ZGODNOŚCI WE/UE
(RO) DECLARAȚIE DE CONFORMITATE CE/UE

(LV) EK/ES ATBILSTĪBAS DEKLARĀCIJA
(LT) EB/ES ATITIKTIES DEKLARACIJA
(CS) ES/EU PROHLÁŠENÍ O SHODĚ

(HU) EK/EU-MEGFELELŐSÉGI NYILATKOZATA

(EN) MANUFACTURER	(PL) PRODUCENT	(RO) PRODUCĂTOR	(LV) RAŽOTĀJS	(LT) GAMINTOJAS	(CS) VÝROBCE	(HU) GYÁRTÓ
----------------------	-------------------	--------------------	------------------	--------------------	-----------------	----------------

PROFIX Sp. z o.o. ul. Marywilska 34, 03-228 Warszawa

(EN) Person who was authorized to develop technical documentation:
(PL) Osoba upoważniona do przygotowania dokumentacji technicznej:
(RO) Persoana împuternicită pentru pregătirea documentației tehnice:
(LV) Persona atbildīga par tehnikās dokumentācijas sagatavošanu:

(LT) Asmuo įgaliojotas parengti techninę dokumentaciją:
(CS) Osoba oprávněna připraviv technickou dokumentaci:
(HU) Műszaki dokumentáció elkészítésére meghatalmazott személy:

Mariusz Rotuski, Centrum Dystrybucyjno-Handlowe PROFIX, ul. Dobra 3, Łomna Las, 05-152 Czoszów

(EN) Hand-Held Circular Saw (PL) Pilarka tarczowa (RO) Ferăstrău circular (LV) Rokas ripzāģis (LT) Rankinis diskinis pjūklas (CS) Ruční kotoučová pila (HU) Körfűrész

VULCAN Concept VZP1500

M1Y-DU26-185J-48-1500

230-240 V; 50 Hz; 1500 W; n₀: 4700/min; kl. II; ø185
S2026 -...- S2416

(EN) The object of the declaration described above is in conformity with the relevant Union harmonisation legislation: (PL) Wymieniony powyżej przedmiot niniejszej deklaracji jest zgodny z odpowiednimi wymaganiami unijnego prawodawstwa harmonizacyjnego: (RO) Obiectul declarației descris mai sus este în conformitate cu legislația relevantă de armonizare a Uniunii: (LV) Iepriekš aprakstītais deklarācijas priekšmets atbilst attiecīgajam Savienības saskaņošanas tiesību aktam (LT) Pirmiau aprašytas deklaracijos objektas atitinka susijusius derinamus Sąjungos teisės aktus: (CS) Výše popsaný předmět prohlášení je ve shodě s příslušnými harmonizačními právními předpisy Unie: (HU) A fent ismertetett nyilatkozat tárgya megfelel a vonatkozó uniós harmonizációs jogszabálynak:

(EN) 2006/42/EC (OJ L 157, 9.6.2006, p. 24–86); 2014/30/EU (OJ L 96, 29.3.2014, p. 79–106); 2011/65/EU of the European Parliament and of the Council of 8 June 2011 on the restriction of the use of certain hazardous substances in electrical and electronic equipment (OJ L 174, 1.7.2011, p. 88–110) change 2015/863/UE;
(PL) 2006/42/WE (Dz. U. L 157 z 9.6.2006, str. 24–86); 2014/30/UE (Dz. U. L 96 z 29.3.2014, str. 79–106); 2011/65/UE z dnia 8 czerwca 2011 r. w sprawie ograniczenia stosowania niektórych niebezpiecznych substancji w sprzęcie elektrycznym i elektronicznym (Dz. U. L 174 z 1.7.2011, str. 88–110), zmiana 2015/863/UE;
(RO) 2006/42/CE (JO L 157, 9.6.2006, p. 24–86); 2014/30/UE (JO L 96, 29.3.2014, p. 79–106); 2011/65/UE a Parlamentului European și a Consiliului din 8 iunie 2011 privind restricțiile de utilizare a anumitor substanțe periculoase în echipamentele electrice și electronice (JO L 174, 1.7.2011, p. 88–110) schimbare 2015/863/UE;
(LV) 2006/42/EK (OV L 157, 9.6.2006., 24./86. lpp.); 2014/30/ES (OV L 96, 29.3.2014., 79./106. lpp.); 2011/65/ES (2011. gada 8. jūnijs) par dažu bīstamu vielu izmantošanas ierobežošanu elektriskās un elektroniskās iekārtās (OV L 174, 1.7.2011., 88./110. lpp.) maiņa 2015/863/UE;
(LT) 2006/42/EB (OL L 157, 2006 6 9, p. 24–86); 2014/30/ES (OL L 96, 2014 3 29, p. 79–106); 2011/65/ES 2011 m. birželio 8 d. dėl tam tikrų pavojingų medžiagų naudojimo elektros ir elektroninėje įrangoje apribojimo (OL L 174, 2011 7 1, p. 88–110); pokytis 2015/863/UE;
(CS) 2006/42/ES (Úř. věst. L 157, 9.6.2006, s. 24–86); 2014/30/EU (Úř. věst. L 96, 29.3.2014, s. 79–106); 2011/65/EU ze dne 8. června 2011 o omezení používání některých nebezpečných látek v elektrických a elektronických zařízeních (Úř. věst. L 174, 1.7.2011, s. 88–110) změna 2015/863/UE;
(HU) 2006/42/EK (HL L 157., 2006.6.9., 24–86. o.); 2014/30/EU (HL L 96., 2014.3.29., 79–106. o.); 2011/65/EK irányelve (2011. június 8.) egyes veszélyes anyagok elektromos és elektronikus berendezéseken való alkalmazásának korlátozásáról (HL L 174., 2011.7.1., 88–110. o.) változás 2015/863/UE;

(EN) and have been manufactured in accordance with the standards:

(PL) oraz został(y) wyprodukowany(e) zgodnie z norma(ami):

(RO) și au fost produse conform normelor:

(LV) un tika izgatavoti atbilstoši normām:

(LT) bei yra pagamintas pagal normas:

(CS) a byla(y) vyrobeny(y) podle normy(em):

(HU) és gyártása(uk) az alábbi szabvány(ok)nak megfelelően történt:

EN 62841-1:2015 EN 62841-2-5:2014 EN 60825-1:2007

EN 55014-1:2017 EN 55014-2:2015 EN IEC 61000-3-2:2019 EN 61000-3-3:2013+A1:2019

IEC 62321-3-1:2013 IEC 62321-7-1:2015 IEC 62321-7-2:2017 IEC 62321-6:2015 IEC 62321-4:2013+A1:2017 IEC 62321-5:2013 IEC 62321-8:2017

Mariusz Rotuski

Pełnomocnik Zarządu ds. Certyfikacji

Representative of the Board for Certification

(EN) This declaration of conformity is issued under the sole responsibility of the manufacturer. (PL) Niniejsza deklaracja zgodności wydana zostaje na wyłączną odpowiedzialność producenta. (RO) Prezenta declarație de conformitate este emisă pe răspunderea exclusivă a producătorului. (LV) Šī atbilstības deklarācija ir izdota vienīgi uz šāda ražotāja atbildību. (LT) Ši atitikties deklaracija išduota tik gamintojo atsakomybe. (CS) Toto prohlášení o shodě vydal na vlastní odpovědnost výrobce. (HU) E megfelelősegi nyilatkozat a gyártó kizárólagos felelősségére kerül kibocsátásra.

