

TRYTON

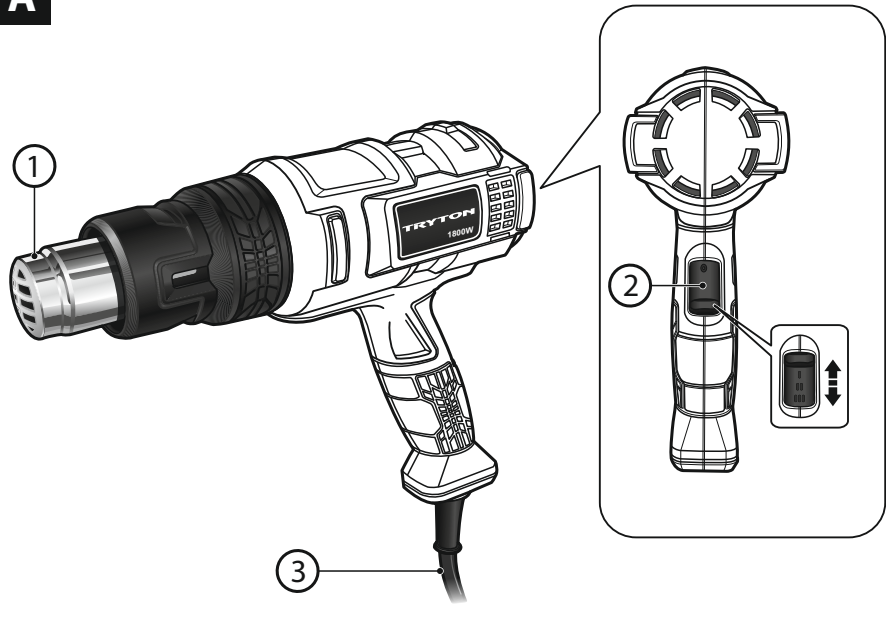
ELEKTRONARZĘDZIA



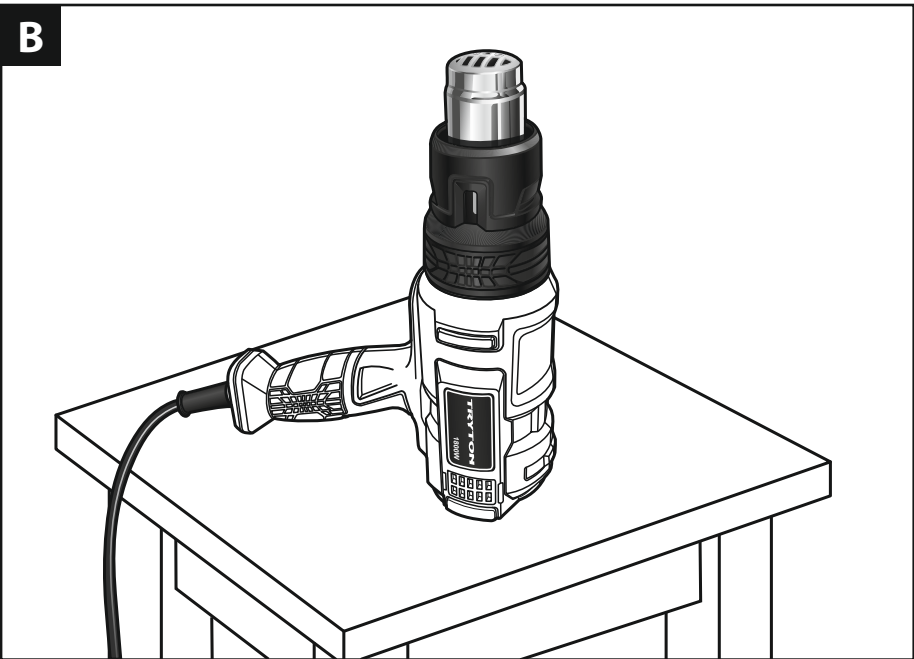
THL1800

EN	Instruction manual	HOT AIR GUN (HEAT GUN)	3
PL	Oryginalna instrukcja obsługi	DMUCHAWA GRZEJNA (OPALARKA)	10
RU	Инструкция по эксплуатации	ТЕРМОВОЗДУХОДУВКА	18
RO	Instrucții de folosire	PISTOLUL CU AER CALD.....	28
LV	Lietošanas instrukcija	KARSTĀ GAISA PLŪSMAS ĢENERATORS	35
CS	Návod na obsluhu	OPALOVACÍ (POŽEHOVACÍ) PISTOLE	42
LT	Naudojimo instrukcija	KARŠTO ORO PŪSTUVAS.....	49
HU	Eredeti használati útmutató	HŐLÉGÚVÓ PISZTOLY.....	56

A



B






BEFORE YOU START USING THE MACHINE READ THOROUGHLY THIS MANUAL.

Keep this document for future reference.



WARNING! Read all safety warnings marked with a symbol  and all operating safety instructions.

To limit the risk of fire, electric shock and injury while using the device, follow all operating safety instructions and tips provided below.

Keep all work safety instructions and tips for future reference.

In warnings provided herein the expression "power tool" means a power tool powered from the mains (with a power cord) or a battery powered power tool (cordless).



WARNING! General work safety warnings for use of the tool.

Workplace safety:

- a) **Keep your workplace tidy and well lit.** *Untidiness and bad lighting result in higher accident rate.*
- b) **Do not use the power tool in explosive environments, created by flammable liquids, gases or dusts.** *The power tool generates sparks that can ignite dust or vapors.*
- c) **Keep children and unauthorized persons away from the place where**

the power tools are used. *Inattention may result in losing control over your power tool.*



WARNING! General warnings regarding the use of power tools.

Electricsafety:

- a) **Plugs used in power tools must match wall outlets. Never modify the plug of your power tool. Do not use any extension cables when operating a power tool with a grounding /earthing conductor (PE).** *Any modifications of plugs and outlets increase the risk of electric shock.*
- b) **Avoid touching earthed surfaces or grounded items like pipes, heaters, central heating radiators and refrigerators.** *Touching earthed or grounded surfaces increases the risk of electric shock.*
- c) **Do not expose your power tool to rain or damp environments.** *Water penetrating the tool increases the risk of electric shock.*
- d) **Do not damage the power cord. Never use the power cord to carry, pull the power tool and do not pull by its power cord to disconnect plug from the outlet. Keep the power cord away from sources of heat, oils, sharp edges and moving parts.** *Damaged or*

entangled power cords increase the risk of electric shock.

- e) **When your power tool is operated outdoors use extension cords intended for outdoor use only. Using an extension cable intended for outdoor use decreases the risk of electric shock.**
- f) **It is recommended to connect the device to a mains supply equipped with a residual current device (RCD) with a rated current of 30 mA or less.**
- g) **When it is unavoidable to use your power tool in a damp environment use an RCD (Residual Current Device) for protection. The use of RCDs decreases the risk of electric shock.**



WARNING! General warnings regarding the use of power tools.

Personal safety:

- a) **This equipment is not intended for use by persons (including children) disabled physically, mentally, sensorial or persons with no experience and knowledge in operating the equipment unless they operate the equipment under supervision or follow user's instructions provided by persons responsible for their safety.**
- b) **It is necessary to predict steps, watch and keep common sense when using power tools. Do not operate power tools when you are tired, under influence of drugs, medicine or alcohol. A moment of inattention while operating a power tool may result in serious personal injury.**
- c) **Use personal protective equipment (PPE). Always wear safety goggles. Wearing personal protective equipment (PPE) including a dust mask, anti-slippery footwear, a helmet and ear protection reduces personal injury.**
- d) **Avoid unexpected start up. Before connecting your power tool to the mains and/or inserting a battery make sure its power switch is in off position. Carrying your power tool with a finger on its power switch or without disconnecting it from the mains (switched on) may result in an accident.**
- e) **Before starting your power tool remove any keys/wrenches. Leaving a key/wrench in the rotating part of your power tool may result in personal injury.**
- f) **Do not lean forward too far. Always remain stable and maintain balance. It will allow you to have a better control over your power tool in unpredictable situations.**
- g) **Wear appropriate clothing. Do not wear loose clothes or jewelry. Keep your hair tied. Keep your clothes away from moving parts. Loose clothes, jewelry or long hair may be caught by moving parts.**
- h) **If your power tool allows for using an external dust extraction or collection**

system, make sure it is connected and used properly. Using dust collectors may reduce dust affected risks.

- i) **Do not let your skills gained through the frequent use of the power tool make you overconfident and disregard safety rules.** *Carelessness may cause injury in a fraction of a second.*



WARNING! General warnings regarding the use of power tools.

Use and taking care of your power tool:

- a) **Do not overload your power tool. Use a power tool with power adjusted to work being done.** *An appropriately chosen power tool will allow you to work better and safer under load it has been designed for.*
- b) **Do not use a power tool when its power switch is out of order (it does not switch it on or off).** *Any power tool with its power switch out of order is dangerous and must be repaired.*
- c) **Always disconnect the plug from the power source and/or disconnect its battery before changing any settings, performing replacement or storage.** *Such preventive measures reduce the risk of accidental power tool start up.*
- d) **Keep your power tool out of reach of children and do not allow unauthorized persons to use the power tool.** *Power tools in hands of untrained persons can be dangerous.*
- e) **Power tools require maintenance.** *Check power tools for concentricity or jamming of moving parts, any cracks and all other factors affecting the power tool work safety. If any damage to the power tool is detected, it should be repaired before use. Improper power tool maintenance is a reason for many accidents.*
- f) **Cutting tools should be sharp and clean.** *Keeping sharp cutting edges in good condition reduces the risk of jamming and facilitates operation.*
- g) **Power tools, equipment, working tools etc. should be used according to this user's manual taking into account operating conditions and the work to be done.** *Misusing a power tool can result in dangerous situations.*
- h) **At low temperatures and after a long brakes in operation it is recommended to turn the power tool to operate it with no load for a few minutes to provide proper grease distribution inside its driving mechanism.**
- i) **Use soft, damp (cannot be wet) cloth and soap to clean power tools. Do not use petrol, solvents and other agents that may damage your equipment.**
- j) **Power tools can be stored/carried after making sure that all moving components are locked and protected against release with original devices intended for this purpose.**

k) **Store power tools in a dry, dust and water-protected place.**

l) **Carry your power tool in its original packaging to provide protection against mechanical damage.**

m) **Keep handles and grip surfaces clean and free from oil and grease.** *Secure grip and control over the tool in unexpected circumstances are impossible if handles and grip surfaces are slippery.*



WARNING! General warnings regarding the use of power tools.

Repair:

a) **Warranty and post-warranty repairs of its power tools are carried out by PROFIX Service, which guarantees the best quality or repair and use of genuine spare parts.**



WARNING! HOT AIR GUN, additional safety instructions –

Workplace safety:

a) **Always work in a well ventilated area.** *Gases, vapors and fumes generated during operation are frequently dangerous to human health.*

b) **If handled carelessly, the tool can cause fire, therefore:**

– *be extremely careful when using the tool in places where combustible materials are stored;*

– *do not keep the hot airstream aimed at the same place for a longer period;*

– *do not use the tool in explosive environments;*

– *be aware that heat can be transferred to combustible materials located beyond your field of vision;*

– *always place the tool on its base after use and allow to cool down before storing;*

– *never leave your tool unattended when it is on.*

c) **Do not point the nozzle with hot air at other persons, animals and towards the places where flammable materials are stored.**

Electrical safety:

a) **Do not use the device when it rains or under high humidity conditions.** *It may result in injuries or death caused by electric shock.*

b) **When operating the hot air gun outdoors always use a residual current device (RCD).** *The use of RCD reduces the risk of electric shock.*

c) **Before each use check the tool, its power cord and plug for any damage. If any damage is found, stop working and have the tool repaired sending it to a service center (the address provided in the warranty card).** *Using a defected device can be dangerous to health and life. Never open its housing as the tool does not contain any user serviceable parts.*

d) **Do not put any objects into the nozzle.** *It may result in damage to the tool and electric shock.*

- e) The power cord should be placed behind the tool at all times during operation.
- f) Do not point the hot air stream at the power cord and do not touch the power cord with the nozzle when hot. *It may result in damage to its insulation and electric shock.*
- g) Do not carry or hang the tool on its power cord.
- h) Do not use a power tool with its power cord damaged. Do not touch the power cord when damaged; if the damage to power cord occurs during operation, unplug the cord from the mains socket. *Damaged power cords increase the risk of electric shock.*



WARNING!

If the undetachable power cord is damaged, it should be replaced either by the manufacturer or by an authorized service center or a qualified electrician to avoid any risks.

Personal safety:

- a) When processing plastics, paints, varnishes and other materials, flammable and toxic gases are generated. Do not use the tool near flammable materials and explosive gases.
 - b) To provide protection against vapors and fumes wear a special mask protecting against dusts and vapors emitted by lead-containing paints and bear in mind the safety of other persons staying at your workplace.
 - c) **Danger of burns!** Never touch the nozzle when hot. Always wear protective gloves.
 - d) Do not look into the nozzle when the tool is on.
 - e) Always wear safety goggles when operating the tool.
 - f) Do not use the tool as a hair dryer! *The hot air emitted by the hot air gun exceeds the temperature of air provided by a hair dryer.*
- Working instructions and use tips:**
- a) Protect the hot air gun against impacts and surface damage caused by sharp objects.
 - b) Before you use the tool always check air inlet and outlet for any obstacles restricting a free airflow.
 - c) Do not burn the paint as it may result in fire. *Keep the paint away from the nozzle, as it can ignite after some period.*
 - d) Do not obstruct either air inlets or nozzle outlet as it can result in excessive temperature and damage to the tool. *Do not keep the hot air outlet closer than 5 cm from the surface processed.*
 - e) Do not put the nozzle on any object during and directly after operation. Do not place the tool on its side. *Whenever you wish to put the hot air gun aside, set it in a vertical position.*
 - f) When you stop using the tool, during breaks or carrying out any

maintenance operations (e.g. inspections, cleaning, adjustments) always unplug the power cord from the mains socket.

g) Never allow children to use the tool.

APPLICATIONS AND CONSTRUCTION:

The hot air gun is a portable power tool. It features small dimensions, ergonomic design, low noise emission, high speed air flow and three-step temperature adjustment.

The tool is intended for removing paint coats, shaping and welding plastics and fitting shrinking plastic tubing. It can be also used to soften adhesives and defrost water pipes.

WARNING! The appliance is not intended to be operated by means of an external timer or separate remote-control system.

Do not use the tool in professional applications. Any use in applications other than indicated is prohibited and results in making the warranty void and null and waiving manufacturer's liability for any resulting damage.

Any modification to the tool carried out by the user waives manufacturer's liability for damage to the tool, user or other property.

Specific residual risks cannot be eliminated despite proper use. The following threats may occur resulting from the design and structure of the machine:

- Injury from contact with hot parts;
- Ejection of a workpiece or its parts.

■ The set includes:

- Hot air gun - 1 piece
- User's manual - 1 piece
- Warranty card - 1 piece

■ Tool components (see Fig. A):

The numbering of tool components refers to graphics presented on page 2 of the user's manual:

1. Outlet nozzle
2. On/off switch/Operation mode selector
3. Power cord

TECHNICAL DATA:

Voltage	220-240 V	
Frequency	50/60 Hz	
Power consumption	1800W	
Operating temperature/ Air flow	mode I	50°C / 250 l/min
	mode II	400°C / 250 l/min
	mode III	600°C / 500 l/min
Device class	II	
Weight	0,75 kg	

■ Noise emission information

Sound pressure value measured is lower than 70 dB (A).

BEFORE YOU START:

1. Make sure that power supply parameters meet the requirements provided on the tool nameplate.
2. Make sure the tool switch is in off position. Connecting the tool to the mains socket when its switch is in on position can result in serious accident, as the hot air gun starts immediately.
3. When your workplace is too far to plug the tool directly to the mains socket, use an extension cord with a cable cross-section meeting the tool requirements. Extension cords should be as short as possible. When in use extension cords must be fully uncoiled.

DURING OPERATION:

■ Switching on/off

- To switch **on** the tool set the on/off switch/ operation mode selector (2) to position I, II or III.
- To switch the tool **off** set the on/off switch/ operation mode selector (2) to position 0.

■ Setting operation mode

The on/off switch/ operation mode selector (2) can be set in three positions (see Fig. A).

The air flow and temperature required can be adjusted by using the table:

Operation mode I	250 l/min - 50°C
Operation mode II	250 l/min - 400°C
Operation mode III	500 l/min - 600°C

The operation mode I is suitable for cooling down heated objects or for drying a paint coat. It can be also used to cool the tool before putting in storage or replacing its nozzle (spare nozzles not provided).

NOTE: After changing from higher to lower temperature always allow the tool to cool down.

WORKING TIPS:



NOTE! Avoid holding the tool perpendicularly to surface processed. It results in hot air reflection and sucking it back by the motor rotor. It results in increasing temperature inside the motor and damage to the tool. The hot air gun should be held at an angle of approx. 45° to the surface processed.

The distance between the nozzle and object processed depends on the material, but cannot be lower than 5 cm.

Before you turn the tool off, set the temperature to minimum and select the maximum air flow for a short period (more than ten seconds) to cool down the heating element. It will extend the life of your tool.

■ Putting the tool aside

To cool the hot tool down or to have both hands free, put the hot air gun vertically onto a horizontal surface (see Fig. B).

NOTE: Be especially careful when working with the tool aside! There's a risk of burns caused by its hot nozzle or hot air stream.

CLEANING AND MAINTENANCE:

1. Keep the tool clean and provide unrestricted air flow.
2. Protect the hot air gun against any penetration of water, dust and other small objects.
3. Do not clean the plastic housing with chemical cleaning agents. Use a slightly damp cloth and soap. Allow the tool housing to dry under natural conditions before you start to use it again.

4. Check the power cord for technical shape on a regular basis and replace it immediately when any damage is found.
5. In case of technical problems please contact our service. The addresses of authorized service points are listed in the warranty card.

MANUFACTURER:

PROFIX Ltd.,
34 Marywilka Street,
03-228 Warsaw, POLAND.

PROTECTION OF THE ENVIRONMENT:



NOTE: The symbol nearby denotes that old equipment must never be thrown away together with other waste (with the penalty of a fine). Hazardous components of electronic equipment may adversely affect the natural environment and human health.

Each household may contribute to the recovery and reuse (recycling) of old machinery and equipment. Both in Poland and Europe a system for recovery of used equipment either exists or is being created. The system obliges all organizations that sell such equipment to collect the used machinery and appliances. Moreover, general purpose collecting points for such equipment are available.



The policy of the PROFIX company consists in permanent improvements of the offered products and therefore the company reserves the right to make amendments to the product specification without a prior notice. The images included into the operation manual are only of the exemplary nature and may slightly differ from actual appearance of the device purchased.


This instruction manual is protected by copyright. Copying it without the written consent of PROFIX Co. Ltd. is prohibited.



PRZED PRZYSTĄPIENIEM DO UŻYTKOWANIA NALEŻY ZAPOZNAĆ SIĘ Z NINIEJSZĄ INSTRUKCJĄ.

Zachowaj instrukcję do ewentualnego przyszłego wykorzystania.



OSTRZEŻENIE! Należy przeczytać wszystkie ostrzeżenia dotyczące bezpieczeństwa użytkowania oznaczone symbolem  i wszystkie wskazówki dotyczące bezpieczeństwa użytkowania.

Nieprzestrzeganie podanych niżej ostrzeżeń dotyczących bezpieczeństwa i wskazówek dotyczących bezpieczeństwa może być przyczyną porażenia prądem elektrycznym, pożaru i/lub poważnych obrażeń.

Zachowaj wszystkie ostrzeżenia i wskazówki dotyczące bezpieczeństwa, aby móc skorzystać z nich w przyszłości.

W podanych niżej ostrzeżeniach wyrażenie „elektronarzędzie” oznacza elektronarzędzie zasilane z sieci (z przewodem zasilającym) lub elektronarzędzie zasilane z akumulatora (bezprowodowe).



OSTRZEŻENIE! Ogólne ostrzeżenia dotyczące bezpieczeństwa użytkowania narzędzia.

Bezpieczeństwo w miejscu pracy:

a) **W miejscu pracy należy utrzymywać porządek i dobre oświetlenie.**
Nieporządek i złe oświetlenie przyczynia się

do wypadków.

- b) **Nie należy używać elektronarzędzia w środowiskach wybuchowych, tworzonych przez łatwo palne ciecze, gazy lub pyły.** Elektronarzędzie wytwarza iskry, które mogą zapalić pył lub opary.
- c) **Nie należy dopuszczać dzieci i obserwatorów do miejsc, w których używa się elektronarzędzi.** Rozproszenie uwagi może spowodować utratę kontroli nad elektronarzędziem.



OSTRZEŻENIE! Ogólne ostrzeżenia dotyczące bezpieczeństwa użytkowania narzędzia.

Bezpieczeństwo elektryczne:

- a) **Wtyczki elektronarzędzi muszą pasować do gniazdek. Nigdy w żaden sposób nie należy przerabiać wtyczki. Nie należy używać żadnych przedłużaczy w przypadku elektronarzędzi mających przewód z żyłą uziemienia ochronnego.** Brak przeróbek we wtyczkach i gniazdkach wtyczkowych zmniejsza ryzyko porażenia prądem elektrycznym.
- b) **Należy unikać dotykania powierzchni uziemionych lub zwartych z masą, takich jak rury, ogrzewacze, grzejniki centralnego ogrzewania i chłodziarki.** W przypadku dotknięcia części uziemionych lub zwartych z masą, wzrasta ryzyko porażenia prądem elektrycznym.

- c) **Nie należy narażać elektronarzędzi na działanie deszczu lub warunków wilgotnych.** *W przypadku przedostania się do elektronarzędzia wody, wzrasta ryzyko porażenia prądem elektrycznym.*
- d) **Nie należy nadwierać przewodów przyłączeniowych. Nigdy nie należy używać przewodu przyłączeniowego do przenoszenia, ciągnięcia elektronarzędzia lub wyciągania wtyczki z gniazdka. Należy trzymać przewód przyłączeniowy z daleka od źródeł ciepła, olejów, ostrych krawędzi lub ruchomych części.** *Uszkodzone lub zaplątane przewody przyłączeniowe zwiększają ryzyko porażenia prądem elektrycznym.*
- e) **W przypadku, gdy elektronarzędzie używa się na wolnym powietrzu, przewody przyłączeniowe należy przedłużać przedłużaczami przeznaczonymi do pracy na wolnym powietrzu.** *Używanie przedłużacza przeznaczonego do pracy na wolnym powietrzu zmniejsza ryzyko porażenia prądem elektrycznym.*
- f) **Zaleca się podłączenie urządzenia do sieci elektrycznej wyposażonej w wyłącznik różnicowo-prądowy (RCD) o prądzie wyłączenia 30mA lub mniejszym.**
- g) **W przypadku, gdy używanie elektronarzędzia w środowisku wilgotnym jest nieuniknione, jako ochronę przed napięciem zasilania**

należy stosować urządzenie różnicowo-prądowe (RCD). *Zastosowanie RCD zmniejsza ryzyko porażenia prądem elektrycznym.*



OSTRZEŻENIE! Ogólne ostrzeżenia dotyczące bezpieczeństwa użytkownika narzędzia.

Bezpieczeństwo osobiste:

- a) **Niniejszy sprzęt nie jest przeznaczony do użytkowania przez osoby (w tym dzieci) o ograniczonej zdolności fizycznej, czuciowej lub psychicznej, lub osoby nie mające doświadczenia lub znajomości sprzętu, chyba że odbywa się to pod nadzorem lub zgodnie z instrukcją użytkownika sprzętu, przekazanej przez osoby odpowiadające za ich bezpieczeństwo.**
- b) **Należy być przewidującym, obserwować co się robi i zachowywać rozsądek podczas używania elektronarzędzia. Nie należy używać elektronarzędzia, gdy jest się zmęczonym lub pod wpływem narkotyków, alkoholu lub leków.** *Chwila nieuwagi podczas pracy elektronarzędziem może spowodować poważne osobiste obrażenia.*
- c) **Należy stosować wyposażenie ochronne. Należy zawsze zakładać okulary ochronne.** *Używanie w odpowiednich warunkach wyposażenia ochronnego, takiego jak maska*

przeciwpyłowa, obuwie antypoślizgowe, kask lub ochronniki słuchu, zmniejszający osobiste obrażenia.

- d) **Należy unikać niezamierzonego rozruchu. Przed przyłączeniem do źródła zasilania i/lub przed podłączeniem akumulatora oraz zanim podniesie się lub przeniesie się narzędzie należy upewnić się, że wyłącznik elektronarzędzia jest w pozycji wyłączony.** Przenoszenie elektronarzędzia z palcem na wyłączniku lub przyłączenie elektronarzędzia do sieci zasilającej przy załączonym wyłączniku może być przyczyną wypadku.
- e) **Przed uruchomieniem elektronarzędzia należy usunąć wszystkie klucze.** Pozostawienie klucza w obracającej się części elektronarzędzia może spowodować osobiste obrażenia.
- f) **Nie należy wychylać się za daleko. Należy cały czas stać pewnie i zachować równowagę.** Umożliwi to lepszą kontrolę nad elektronarzędziem w sytuacjach nieprzewidywalnych.
- g) **Należy odpowiednio się ubierać. Nie należy nosić luźnego ubrania ani biżuterii. Należy utrzymywać swoje włosy, ubranie i rękawiczki z dala od części ruchomych.** Luźne ubrania, biżuteria lub długie włosy mogą zostać zaczepione przez części ruchome.
- h) **Jeżeli urządzenia są przystosowane do przyłączenia zewnętrznego odciążu pyłu i pochłaniacza pyłu,**

należy upewnić się, że są one przyłączone i prawidłowo użyte. Użycie pochłaniacza pyłu może zredukować zagrożenia zależne od zapylenia.

- i) **Nie pozwól, aby umiejętności uzyskane dzięki częstemu korzystaniu z elektronarzędzia pozwoliły Ci poczuć się pewnym siebie i zignorować zasady bezpieczeństwa.** Nieostrożne działanie może spowodować poważne obrażenia w ułamku sekundy.



OSTRZEŻENIE! Ogólne ostrzeżenia dotyczące bezpieczeństwa użytkownika narzędzia.

Użytkowanie i troska o elektronarzędzie:

- a) **Nie należy elektronarzędzia przeciążać. Należy stosować elektronarzędzie o mocy odpowiedniej do wykonywanej pracy.** Właściwe elektronarzędzie umożliwi pracę lepszą i bezpieczniejszą przy obciążeniu, na jakie zostało zaprojektowane.
- b) **Nie należy używać elektronarzędzia, jeżeli łącznik go nie łączy i nie wyłącza.** Każde elektronarzędzie, którego nie można łączyć lub wyłączać łącznikiem, jest niebezpieczne i musi zostać naprawione.
- c) **Należy odłączać wtyczkę ze źródła zasilania elektronarzędzia i/lub odłączyć akumulator przed wykonaniem każdej nastawy, wymiany części lub magazynowaniem.** Takie zapobiegawcze środki

bezpieczeństwa redukuje ryzyko przypadkowego rozruchu elektronarzędzia.

- d) **Nieużywane elektronarzędzie należy przechowywać poza zasięgiem dzieci i nie należy pozwalać osobom niezaznajomionym z elektronarzędziem lub niniejszą instrukcją na używanie elektronarzędzia.**

Elektonarzędzia są niebezpieczne w rękach nieprzeszkolonych użytkowników.

- e) **Elektonarzędzia należy konserwować. Należy sprawdzać współosiowość lub zakleszczenie się części ruchomych, pęknięcia części i wszystkie inne czynniki, które mogą mieć wpływ na pracę elektronarzędzia. Jeżeli stwierdzi się uszkodzenia, należy elektronarzędzie przed użyciem naprawić.** *Przyczyną wielu wypadków jest nefachowy sposób konserwacji elektronarzędzia.*

- f) **Narzędzia tnące powinny być ostre i czyste.** *Odpowiednie utrzymywanie ostrych krawędzi narzędzi tnących zmniejsza prawdopodobieństwo zakleszczenia i ułatwia obsługę.*

- g) **Elektonarzędzie, wyposażenie, narzędzia robocze itp. należy stosować zgodnie z niniejszą instrukcją, biorąc pod uwagę warunki pracy i rodzaj pracy do wykonania.** *Używanie elektronarzędzia w sposób, do jakiego nie jest przewidziane, może spowodować niebezpieczne sytuacje.*

- h) **W niskich temperaturach, lub po**

dłuższym okresie nie użytkowania, zalecane jest włączenie elektronarzędzia bez obciążenia na okres kilku minut w celu właściwego rozprowadzenia smaru w mechanizmie napędu.

- i) **Do czyszczenia elektronarzędzi stosować miękką, wilgotną (nie mokra) szmatkę i mydło. Nie stosować benzyny, rozpuszczalników i innych środków mogących uszkodzić urządzenie.**

- j) **Elektonarzędzie należy przechowywać / transportować po upewnieniu się, że wszystkie jego elementy ruchome są zablokowane i zabezpieczone przed odblokowaniem za pomocą oryginalnych elementów do tego przeznaczonych.**

- k) **Elektonarzędzie należy przechowywać w miejscu suchym, zabezpieczone przed kurzem i wnikaniem wilgoci.**

- l) **Transportowanie elektronarzędzia powinno odbywać się w opakowaniu oryginalnym, zabezpieczającym przed uszkodzeniami mechanicznymi.**

- m) **Uchwyty i powierzchnie chwytne należy utrzymywać czyste i wolne od oleju i smaru.** *Śliskie uchwyty i powierzchnie chwytne nie pozwalają na bezpieczne trzymanie i kontrolę narzędzia w nieoczekiwanych sytuacjach.*



OSTRZEŻENIE! Ogólne ostrzeżenia dotyczące bezpieczeństwa użytkowania narzędzia.

Naprawa:

a) **Naprawy gwarancyjne i pogwarancyjne swoich elektro-narzędzi wykonuje Serwis PROFIX, co gwarantuje najwyższą jakość napraw oraz stosowanie oryginalnych części zamiennych.**



OSTRZEŻENIE! DMUCHAWA GRZEJNA, dodatkowe ostrzeżenia dotyczące bezpieczeństwa –

Bezpieczeństwo w miejscu pracy:

a) **Należy pracować w dobrze wentylowanym miejscu pracy.** Powstające w czasie pracy gazy i opary są często szkodliwe dla zdrowia.

b) **Nieuważne używanie sprzętu może być przyczyną pożaru, dlatego też:**

– należy zachować ostrożność podczas użytkowania sprzętu w miejscach, w których znajdują się materiały palne;

– nie należy kierować strumienia gorącego powietrza w to samo miejsce przez dłuższy czas;

– nie używać sprzętu w obecności atmosfery wybuchowej;

– należy mieć świadomość, że ciepło może być przenoszone do materiałów palnych będących poza polem widzenia;

– po użyciu sprzętu należy umieścić go na jego podstawie i pozostawić do ostygnięcia przed przechowywaniem;

– nie pozostawiać włączonego sprzętu bez

nadzoru.

c) **Nie wolno kierować dyszy, z wypływającym gorącym strumieniem powietrza, w stronę innych osób, zwierząt i w stronę gdzie znajdują się materiały palne.**

Bezpieczeństwo elektryczne:

a) **Nie używać urządzenia podczas deszczu lub w warunkach podwyższonej wilgotności.** *Może to być przyczyną zranienia lub zagrożenia życia przez porażenie prądem elektrycznym.*

b) **Przy używaniu opalarki na świeżym powietrzu należy stosować urządzenie różnicowoprądowe (RCD).** *Zastosowanie RCD zmniejsza ryzyko porażania prądem elektrycznym.*

c) **Przed każdym włączeniem sprawdzić urządzenie, przewód zasilający i wtyczkę.** **W przypadku stwierdzenia uszkodzenia, przerwać pracę i zlecić naprawę urządzenia uprawnionemu punktowi serwisowemu (adres podany jest w karcie gwarancyjnej).** *Kontynuowanie pracy uszkodzoną opalarką zagraża zdrowiu lub życiu. Nie otwierać nigdy samego urządzenia.*

d) **Nie wtykać żadnych przedmiotów do dyszy.** *Może to doprowadzić do uszkodzenia urządzenia i porażenia prądem elektrycznym.*

e) **Przewód zasilający prowadzić zawsze z tyłu urządzenia.**

f) **Nie wolno kierować strumienia gorącego powietrza na przewód**

zasilający i dotykać przewodu zasilającego rozgrzaną dyszą. *Grozi to stopieniem izolacji i porażeniem prądem elektrycznym.*

- g) **Nie przenosić i nie wieszać urządzenia na przewodzie zasilającym.**
- h) **Nie wolno używać elektronarzędzia z uszkodzonym przewodem zasilającym. Nie należy dotykać uszkodzonego przewodu; w przypadku uszkodzenia przewodu podczas pracy, należy wyciągnąć wtyczkę z gniazda. Uszkodzone przewody podwyższają ryzyko porażenia prądem.**



OSTRZEŻENIE!

Jeżeli przewód zasilający nieodłączalny ulegnie uszkodzeniu, to powinien on być wymieniony u wytwórcy lub w specjalistycznym zakładzie naprawczym albo przez wykwalifikowaną osobę w celu uniknięcia zagrożenia.

Bezpieczeństwo osobiste:

- a) **Podczas obróbki tworzyw sztucznych, farb, lakierów i podobnych materiałów mogą powstawać łatwopalne i trujące gazy. Narzędzia nie należy używać w pobliżu łatwopalnych gazów lub materiałów.**
- b) **Dla ochrony przed parami zakładaj specjalną maskę, chroniącą przed pyłami i oparami z farb ołowiowych, i zadbaj też o bezpieczeństwo innych osób przebywających w miejscu pracy.**

- c) **Niebezpieczeństwo oparzenia! Nigdy nie dotykać gorącej dyszy. Zawsze stosować rękawice ochronne.**
- d) **Gdy urządzenie jest włączone, nigdy nie zaglądać do dyszy.**
- e) **Podczas pracy zawsze stosować okulary ochronne.**
- f) **Nie używaj urządzenia jako suszarki do włosów! Temperatura powietrza z urządzenia znacznie przekracza temperaturę powietrza z suszarki.**

Użytkowanie i troska o elektronarzędzie:

- a) **Chronić opalarkę przed uderzeniami lub uszkodzeniami powierzchni przez ostre przedmioty.**
- b) **Przed rozpoczęciem użytkowania opalarki najpierw trzeba skontrolować wlot i wylot powietrza i usunąć ewentualne elementy tamujące swobodny przepływ powietrza.**
- c) **Nie spalaj farby, gdyż grozi to pożarem. Uważaj, by farba nie przykleiła się do dyszy, gdyż po jakimś czasie może się zapalić.**
- d) **Nie zasłaniaj szczelin wlotowych powietrza ani wylotu dyszy, gdyż może to doprowadzić do nadmiernego wzrostu temperatury i uszkodzenia sprzętu. Wylotu dyszy nie należy zbliżać do obrabianego przedmiotu bliżej niż 5 cm.**
- e) **W czasie pracy i bezpośrednio po jej**

zakończeniu nie opieraj dyszy o żaden przedmiot. Nie wolno kłaść opalarki na jej boku. Jeżeli odstawiamy opalarkę, to powinna ona być zawsze postawiona w pozycji pionowej.

f) W czasie wszystkich przerw w pracy, nieużytkowaniu urządzenia i przed przystąpieniem do jakichkolwiek czynności przy urządzeniu (np. przeglądach, czyszczeniu, regulacji) wyciągnąć wtyczkę z gniazdka.

g) Nigdy nie zezwalać na obsługę urządzenia przez dzieci.

BUDOWA I PRZEZNACZENIE OPALARKI:

Opalarka jest ręcznym elektronarzędziem. Cechuje się małymi wymiarami i ergonomicznym kształtem, niskim poziomem hałasu, dużą prędkością wypływającego powietrza, trzostopniową regulacją temperatury pracy.

Urządzenie jest przeznaczone do usuwania powłok malarskich, formowania i spawania tworzyw sztucznych oraz do obkurczania „koszulek” termokurczliwych. Urządzenie może być również stosowane do zmiękania kleju i odmrażania przewodów wodociągowych.

UWAGA! Urządzenie nie jest przeznaczone do pracy z użyciem zewnętrznych wyłączników czasowych lub oddzielnego układu zdalnej regulacji.

Nie wolno wykorzystywać narzędzia do wykonywania prac wymagających zastosowania profesjonalnego urządzenia.

Każde użycie opalarki niezgodne z przeznaczeniem podanym wyżej jest zabronione i powoduje utratę gwarancji oraz brak odpowiedzialności producenta za powstałe w wyniku tego szkody.

Jakiegokolwiek modyfikacje urządzenia dokonane przez użytkownika zwalniają producenta z odpowiedzialności za uszkodzenia i szkody wyrządzone użytkownikowi i otoczeniu.

Pomimo zgodnego z przeznaczeniem zastosowania nie można całkowicie wyeliminować określonych czynników ryzyka resztkowego. Ze względu na konstrukcję i budowę maszyny mogą wystąpić następujące zagrożenia:

- Obrażenia ciała wskutek dotknięcia gorących części urządzenia;
- Odrzucenie przedmiotu obrabianego lub części przedmiotu obrabianego.

■ Kompletacja

- Opalarka - 1 szt.
- Instrukcja obsługi - 1 szt.
- Karta gwarancyjna - 1 szt.

■ Elementy urządzenia (patrz rys. A):

Numeracja elementów urządzenia odnosi się do przedstawienia

graficznego umieszczonego na stronie 2 instrukcji obsługi:

1. Dysza wylotowa
2. Włącznik/przełącznik trybu pracy
3. Przewód zasilający

DANE TECHNICZNE:

Napięcie znamionowe	220-240 V	
Częstotliwość znamionowa	50/60 Hz	
Moc znamionowa	1800W	
Temperatura pracy/ Przepływ powietrza	tryb I	50°C / 250 l/min
	tryb II	400°C / 250 l/min
	tryb III	600°C / 500 l/min
Klasa narzędzia	II	
Masa	0,75 kg	

■ Informacja na temat hałasu

Zmierzony poziom ciśnienia akustycznego urządzenia jest mniejszy niż 70 dB(A).

PRZED PRZYSTĄPIENIEM DO PRACY:

1. Upewnić się czy źródło zasilania, do którego ma być podłączona opalarka, odpowiada swoimi parametrami wymaganiom podanym na tabliczce znamionowej opalarki.
2. Upewnić się, czy włącznik główny jest w położeniu wyłączenia. W przypadku włożenia wtyczki do gniazdka, w sytuacji gdy włącznik główny jest w położeniu włączenia, może dojść do poważnego wypadku, gdyż opalarka natychmiastowo rozpoczyna pracę.
3. W przypadku gdy miejsce pracy jest oddalone od gniazdka, należy użyć przedłużacza, o odpowiednim przekroju przewodu dostosowanego do wielkości pobieranego prądu. Zaleca się stosowanie jak najkrótszych przedłużaczy. Przedłużacz powinien być całkowicie rozwinięty.

W TRAKCIE PRACY:

■ Włączanie/wyłączenie

- W celu włączenia elektronarzędzia włącznik/przełącznik trybu pracy (2) przesunąć na pozycję **I, II** lub **III**.
- W celu wyłączenia elektronarzędzia włącznik/przełącznik trybu pracy (2) przesunąć do oporu na pozycję **0**.

■ Wybór trybu pracy

Włącznik/przełącznik trybu pracy (2) może być ustawiony w trzech pozycjach pracy (patrz rys. A).

Odpowiedni strumień powietrza oraz temperaturę można ustawić zgodnie z tabelą:

Tryb pracy I	250 l/min - 50°C
Tryb pracy II	250 l/min - 400°C
Tryb pracy III	500 l/min - 600°C

Tryb pracy **I** służy do ochłodzenia nagrzanego przedmiotu obrabianego, osuszania farby oraz ochłodzenia opalarki przed wyłączeniem lub wymianą dysz nakładanych (brak w zestawie).

UWAGA: Przy przełączeniu temperatury z wyższej na niższą wymaga się pewien czas na ochłodzenie opalarki.

WSKAZÓWKI ROBOCZE:



UWAGA! W czasie pracy unikać prostopadłego prowadzenia opalarki względem opalanej powierzchni. Powoduje to odbicie gorącego powietrza od powierzchni i ponownego zassania go przez wirnik silnika, w wyniku czego nadmiernie wzrasta temperatura wewnątrz silnika, co prowadzi do uszkodzenia opalarki. Opalarkę należy prowadzić pod kątem ok. 45° w stosunku do opalanej powierzchni.

Odległość dyszy od obrabianego przedmiotu stosowana jest według materiału obrabianego, ale nie może być mniejsza niż 5 cm.

Przed wyłączeniem urządzenia należy na kilkanaście sekund ustawić tryb pracy na najniższą temperaturę celem wychłodzenia elementu grzejącego. Zwiększa to trwałość narzędzia.

■ Odstawienie urządzenia

W celu ochłodzenia rozgrzanego urządzenia lub by obydwie ręce były wolne przy pracy, należy ustawić opalarkę pionowo na poziomej powierzchni (patrz rys. B).

UWAGA: Przy pracach z odstawionym urządzeniem należy być szczególnie uważnym! Istnieje niebezpieczeństwo oparzenia się o gorącą dyszę lub na strumieniu gorącego powietrza.

OBSŁUGA I KONSERWACJA:

1. Opalarkę należy utrzymywać w czystości, zapewniając swobodny przepływ powietrza.
2. Chronić opalarkę przed kontaktem z wodą i wnikiwaniem pyłu, kurzu i innych drobnych elementów do wnętrza maszyny.
3. Plastikowej obudowy opalarki nie wolno czyścić za pomocą

chemicznych środków czyszczących. Stosować lekko wilgotną szmatkę i mydło. Opalarki wolno używać dopiero po dokładnym wyschnięciu obudowy w naturalnych warunkach.

4. Regularnie należy kontrolować stan techniczny przewodu zasilającego i w przypadku wykrycia uszkodzenia, przewód należy natychmiast wymienić.
5. W razie problemów technicznych prosimy kontaktować się z serwisem. Adresy autoryzowanych serwisów podane są w karcie gwarancyjnej.

PRODUCENT:

Profix Sp. z o.o.,
ul. Marywilka 34,
03-228 Warszawa, Polska

OCHRONA ŚRODOWISKA:



UWAGA: Przedstawiony symbol oznacza zakaz umieszczania zużytego sprzętu łącznie z innymi odpadami (z zagrożeniem karą grzywny). Składniki niebezpieczne znajdujące się w sprzęcie elektrycznym i elektronicznym wpływają negatywnie na środowisko naturalne i zdrowie ludzi.

Gospodarstwo domowe powinno przyczynić się do odzysku i ponownego użycia (recyklingu) zużytego sprzętu. W Polsce i w Europie tworzony jest, lub już istnieje, system zbierania zużytego sprzętu, w ramach którego wszystkie punkty sprzedaży ww. sprzętu mają obowiązek przyjmować zużyty sprzęt. Ponadto istnieją punkty zbiórki ww. sprzętu.



Polityka firmy PROFIX jest polityką stałego udoskonalania swoich produktów i dlatego firma rezerwuje sobie prawo zmiany specyfikacji wyrobu bez uprzedniego zawiadomienia. Obrazki, podane w instrukcji obsługi, są przykładowe i mogą się nieznacznie różnić od rzeczywistego wyglądu zakupionego urządzenia.

Niniejsza instrukcja jest chroniona prawem autorskim. Kopiowanie/ powielanie jej bez pisemnej zgody firmy PROFIX Sp. z o.o. jest zabronione.




ПЕРЕД НАЧАЛОМ ЭКСПЛУАТАЦИИ НЕОБХОДИМО ОЗНАКОМИТЬСЯ С НАСТОЯЩЕЙ ИНСТРУКЦИЕЙ.

Хранить инструкцию для возможного применения в будущем.



ПРЕДУПРЕЖДЕНИЕ!

Необходимо ознакомиться со всеми предупреждениями, касающимися безопасности при эксплуатации, обозначенными символом  и всеми указаниями по технике безопасности.

Несоблюдение указанных ниже предупреждений, касающихся безопасности и указаний по технике безопасности может привести к поражению электрическим током, пожару и/или серьёзным травмам тела.

Необходимо хранить все предупреждения и указания, касающиеся техники безопасности, чтобы можно было воспользоваться ними в будущем.

В указанных ниже предупреждениях слово „электроинструмент“ означает электроинструмент с питанием от сети (посредством электрического кабеля) или электроинструмент, питаемый от аккумулятора (беспроводное питание).



ПРЕДУПРЕЖДЕНИЕ! Общие предупреждения,

касающиеся безопасности при эксплуатации инструмента.

Техника безопасности на рабочем месте:

- а) **Необходимо поддерживать порядок и хорошее освещение на рабочем месте.** *Беспорядок и плохое освещение являются причиной несчастных случаев.*
- б) **На следует использовать электроинструмент во взрывоопасной среде, образующейся легко воспламеняющимися жидкостями, газами или пылью.** *Электроинструмент создаёт искры, которые могут привести к воспламенению пыли или испарений.*
- в) **Не допускать детей и наблюдателей в места, в которых применяются электроинструменты.** *Отвлечение внимания может привести к потере контроля над электроинструментом.*



ПРЕДУПРЕЖДЕНИЕ! Общие предупреждения, касающиеся безопасности при эксплуатации инструмента.

Электробезопасность:

- а) **Штепсельные вилки должны соответствовать сетевым розеткам. Ни в коем случае не переделывать каким-либо**

образом штепсельную вилку. Не применять каких-либо удлинителей электропитания в случае использования электроинструментов, имеющих провод электропитания с защитным заземляющим проводником. *Отсутствие переделок штепсельных розеток и сетевых розеток снижает опасность поражения электрическим током.*

б) **Необходимо избегать прикосновения к поверхности заземлённых или закороченных на массу элементов, таких как трубы, нагреватели, радиаторы центрального отопления и холодильные агрегаты.** *В случае прикосновения заземлённого или закороченного на массу элемента увеличивается опасность поражения электрическим током.*

в) **Не подвергать электроинструменты воздействию дождя или влажных условий.** *В случае попадания в электроинструмент воды увеличивается опасность поражения электрическим током.*

г) **Не создавать опасности повреждения кабеля электропитания. Ни в коем случае не использовать кабеля электропитания, чтобы переносить или тянуть электроинструмент или для извлечения**

штепсельной вилки из розетки. Кабель электропитания должен находиться вдали от источников тепла, масел, острых краёв и движущихся частей. *Повреждённые или запутанные кабели электропитания увеличивают опасность поражения электрическим током.*

д) **Если электроинструмент эксплуатируется на свежем воздухе, следует использовать удлинители кабеля электропитания, предназначенные для работы вне помещений.** *Использование удлинителя кабеля электропитания, предназначенного для работы вне помещений, снижает опасность поражения электрическим током.*

е) **Рекомендуется подключение устройства к электрической сети, снабженной выключателем остаточного тока (RCD) с током выключения 30 мА или менее.**

ё) **Если эксплуатация электроинструмента во влажной среде неизбежна, в качестве защиты от напряжения питания необходимо использовать защитное устройство по разностному току (RCD).** *Применение защитного устройства по разностному току снижает опасность поражения электрическим током.*



ПРЕДУПРЕЖДЕНИЕ! Общие предупреждения,

касающиеся безопасности при эксплуатации инструмента.

Индивидуальная безопасность:

- а) Настоящее оборудование не предназначено для эксплуатации лицами (включая детей) с физическими, сенсорными или умственными ограничениями или лицами, не имеющими опыта или не знающими оборудования, разве что это осуществляется под надзором или в соответствии с инструкцией по эксплуатации оборудования, переданной лицами, отвечающими за их безопасность.
- б) Необходимо быть предусмотрительным, наблюдать за работой и руководствоваться здравым смыслом во время эксплуатации электроинструмента. Не следует эксплуатировать электроинструмент в состоянии переутомления или находясь под действием наркотиков, алкоголя или лекарств. Мгновение невнимания во время эксплуатации электроинструмента может быть причиной травмы пользователя.
- в) Необходимо применять средства личной защиты. Необходимо обязательно работать с защитными очками. Применение в соответствующих условиях средств личной защиты, таких как противопыльный

респиратор, противоскользкая обувь, каска или средства защиты слуха снизит риск получения травмы.

- г) Необходимо избегать случайного запуска в работу. Прежде чем вставить вилку кабеля электропитания в сетевую розетку или подключить аккумулятор, а также перед тем, как поднять или перенести электроинструмент, необходимо убедиться, что выключатель электроинструмента находится в положении «выключено». Перенос электроинструмента с пальцем на выключателе или подключение электроинструмента к сети питания при включенном выключателе может привести к несчастному случаю.
- д) Прежде, чем запустить электроинструмент в работу, необходимо устранить все ключи. Ключ, оставшийся во вращающейся части электроинструмента, может привести к травме пользователя.
- е) Не следует слишком сильно наклоняться. Необходимо всё время сохранять устойчивость и равновесие. Это позволяет лучше контролировать электроинструмент в неожиданных ситуациях.
- ж) Необходимо иметь соответствующую одежду. Не работать в свободной одежде или с

бижутерией. Необходимо, чтобы волосы пользователя, его одежда и рукавицы находились вдали от движущихся элементов. *Свободная одежда, бижутерия или длинные волосы могут быть зацеплены движущимися частями.*

з) Если оборудование приспособлено для присоединения внешнего пылеотвода (пылеулавливающего устройства) и поглотителя пыли, необходимо убедиться, что они присоединены и правильно применяются. *Применение поглотителей пыли может уменьшить опасность, связанную с запыленностью.*

и) Не позволяйте, чтобы навыки, приобретенные благодаря частому пользованию электроинструментом, позволили Вам почувствовать себя самоуверенно и проигнорировать правила техники безопасности. *Неосторожные действия могут вызвать серьезные травмы в течение доли секунды.*



ПРЕДУПРЕЖДЕНИЕ! Общие предупреждения, касающиеся безопасности при эксплуатации инструмента.

Эксплуатация и уход за электроинструментом:

а) **Не допускать перегрузки электроинструмента. Применять электроинструмент с мощностью, соответствующей выполняемой работе.** *Надлежащий электроинструмент позволит лучше и безопаснее работать при нагрузке, на которую он рассчитан.*

б) **Не следует применять электроинструмент, если его выключатель не включается и не выключается.** *Каждый электроинструмент, который не может включаться или выключаться выключателем, представляет опасность и должен быть передан на ремонт.*

в) **Необходимо отсоединить штепсельную вилку от источника питания электроинструмента и/или отсоединить аккумулятор прежде чем выполнить какую-либо установку, замену части или складирование устройства.** *Такие предупредительные меры безопасности снижают риск случайного запуска электроинструмента в работу.*

г) **Неиспользуемый электроинструмент следует хранить в недоступном для детей месте и не разрешать тем, кто незнаком с электроинструментом или настоящей инструкцией, пользоваться электроинструментом.**

Электроинструмент опасен в руках необученных пользователей.

- д) **Следует выполнять технический уход за электроинструментом. Необходимо проверить соосность или отсутствие заедания (защемления) подвижных элементов, трещин частей, а также все другие факторы, могущие влиять на работу электроинструмента. В случае обнаружения неисправности, необходимо выполнить ремонт электроинструмента. Причиной многих несчастных случаев является непрофессиональный способ выполнения технического ухода.**
- е) **Режущий инструмент должен быть острым и чистым. Соответствующее содержание и уход за острыми кромками режущего инструмента снижает вероятность защемления и упрощает обслуживание.**
- ж) **Электроинструмент, оснащение, рабочие инструменты и т. п. необходимо применять в соответствии с настоящей инструкцией, учитывая рабочие условия и вид выполняемой работы. Применение электроинструмента не по назначению может привести к опасным ситуациям.**
- з) **При низкой температуре или после длительного перерыва в эксплуатации рекомендуется**

включение электроинструмента без нагрузки на несколько минут с целью распределения смазки в механизме привода.

- и) **Для чистки электроинструмента применять мягкую, влажную (не мокрую) тряпку и мыло. Не применять бензина, растворителей и других средств, могущих повредить устройство.**
- й) **Электроинструмент следует хранить/ транспортировать, убедившись, что все его подвижные элементы заблокированы и защищены от разблокировки при помощи оригинальных элементов, предназначенных для этой цели.**
- к) **Электроинструмент должен храниться в сухом месте и быть защищённым от пыли и проникновения влаги.**
- л) **Транспортировку электроинструмента необходимо выполнять в оригинальной упаковке, защищающей от механических повреждений.**
- м) **Держатели и хватательные поверхности следует содержать в чистоте, устраняя с них масло и смазку. Скользкие держатели и хватательные поверхности не позволяют безопасно держать инструмент и контролировать его в случае возникновения неожиданных ситуаций.**



ПРЕДУПРЕЖДЕНИЕ! Общие предупреждения, касающиеся безопасности при эксплуатации инструмента.

Ремонт:

а) **Гарантийный и послегарантийный ремонт своих электроинструментов выполняет сервисная служба компании PROFIX, что гарантирует высочайшее качество ремонта и использование оригинальных запчастей.**



ПРЕДУПРЕЖДЕНИЕ! ТЕРМОВОЗДУХОДУВКА, дополнительные предупреждения по технике безопасности –

Техника безопасности на рабочем месте:

а) **Необходимо работать на хорошо вентилируемом рабочем месте. Образующиеся во время работы газы и испарения обычно вредны для здоровья.**

б) **Невнимательное использование устройства может привести к пожару, поэтому:**

– необходимо соблюдать осторожность во время эксплуатации устройства в местах, где имеются горючие материалы;

– не следует длительное время направлять струю горячего воздуха в одно и то же место;

– не применять устройство при наличии взрывоопасной атмосферы;

– следует иметь в виду, что тепло может передаваться к горючим материалам, находящимся вне поля зрения;

– после окончания эксплуатации устройства необходимо поместить его на подставку и дождаться его охлаждения, прежде чем спрятать в местохранения;

– не оставлять включенного устройства без надзора.

в) **Запрещено направлять сопло с выходящей горячей струей воздуха в сторону других лиц, животных и в сторону, где находятся горючие вещества.**

Электробезопасность:

а) **Не эксплуатировать устройство во время дождя и в условиях повышенной влажности. Это может привести к травме или представлять угрозу для жизни в результате поражения электрическим током.**

б) **При эксплуатации термо-воздуходувки на свежем воздухе, необходимо использовать защитное устройство по дифференциальному (разностному) току (RCD). Применение защитного устройства по дифференциальному току (RCD) снижает опасность поражения электрическим током.**

в) **Перед каждым включением**

необходимо проверить устройство, кабель электропитания и штепсельную вилку. В случае выявления неисправности устройства, следует прекратить работу и передать его на ремонт в уполномоченный производителем сервисный пункт (адрес указан на гарантийной карте). *Дальнейшая работа с повреждённой воздуходувкой представляет опасность для здоровья или жизни. Ни в коем случае не открывать устройства самостоятельно.*

- г) **Не втыкать каких-либо предметов в сопло.** *Это может привести к повреждению устройства и поражению электрическим током.*
- д) **Необходимо, чтобы кабель электропитания всегда находился сзади устройства.**
- е) **Запрещено направлять струю горячего воздуха на кабель электропитания и прикасаться разогретым соплом к кабелю электропитания.** *Это несёт опасность расплавления изоляции и поражения электрическим током.*
- ж) **Не переносить устройство, удерживая его за кабель электропитания и не вешать на нём.**
- з) **Запрещено эксплуатировать электроинструмент с повреждённым кабелем**

электропитания. Не прикасаться к повреждённому кабелю электропитания. В случае повреждения кабеля электропитания во время работы, необходимо извлечь штепсельную вилку из розетки. *Повреждённые провода увеличивают опасность поражения электрическим током.*



ПРЕДУПРЕЖДЕНИЕ!

Если неотсоединяемый кабель электропитания будет повреждён, его замена должна производиться на предприятии-изготовителе или специализированном ремонтном предприятии, или же квалифицированным лицом. Это позволит избежать опасности.

Личная безопасность:

- а) **В процессе обработки пластмасс, лакокрасочных покрытий и подобных материалов могут образовываться легковоспламеняющиеся и ядовитые газы. Не применять электроинструмент вблизи легковоспламеняющихся газов или материалов.**
- б) **Для защиты от испарений следует применять специальный респиратор, защищающий от пыли и испарений свинцовых красок и позаботится также о безопасности других лиц, находящихся на месте выполнения работы.**

- в) **Опасность ожога!** Ни в коем случае не прикасаться к горячему соплу. Обязательно применять защитные рукавицы.
- г) Запрещено заглядывать в сопло при включенном устройстве.
- д) Во время работы обязательно применять защитные очки.
- е) Не применять устройство в качестве сушилки для волос! Температура воздуха, выходящего из устройства значительно превышает температуру воздуха, выходящего из сушилки.

Эксплуатация и уход за электроинструментом:

- а) Предохранять термовоздуховку от ударов или повреждений поверхности острыми предметами.
- б) Прежде, чем приступить к эксплуатации термовоздуховки, следует проверить впуск и выпуск воздуха и устранить возможные элементы, мешающие свободному протеканию воздуха.
- в) Не сжигать краску, так как это может стать причиной пожара. Следует следить, чтобы краска не приклеилась к соплу, поскольку она через какое-то время может воспламениться.
- г) Не закрывать щелей впуска (забора) воздуха или выпускного

отверстия сопла, так как это может привести к чрезмерному увеличению температуры и повреждению устройства. *Не приближать выпускного отверстия сопла к обрабатываемому предмету ближе, чем на 5 см.*

- д) Во время работы и после её окончания не опирать сопло о какой-либо предмет. Запрещено класть воздуховодку на бок. При откладывании термовоздуховки, следует обязательно установить её в вертикальном положении.
- ж) Во время всех перерывов в работе, не использовании устройства и прежде чем приступить к каким-либо действиям с устройством (напр. осмотру, чистке, регулировке), следует извлечь штепсельную вилку из розетки.
- з) Ни в коем случае не позволять детям пользоваться устройством.

КОНСТРУКЦИЯ И НАЗНАЧЕНИЕ ТЕРМОВОЗДУХОВКИ:

Термовоздуховка является ручным электроинструментом. Она отличается малыми размерами, эргономичной формой, низким уровнем шума, большой скоростью выхода воздуха и трёхступенчатой регулировкой рабочей температуры.

Устройство предназначено для устранения лакокрасочных покрытий, формирования и сваривания пластмассовых изделий и для термоусадки термоусаживаемых трубок. Устройство может также использоваться для размягчения клея и размораживания водопроводных труб.

ВНИМАНИЕ! Устройство не предназначено для работы с использованием внешних выключателей-таймеров или отдельной системы дистанционного управления.

Запрещено применять электроинструмент для работ, требующих применения профессионального оборудования. Каждое применение воздуховодки, несомответствующее указанному выше назначению, запрещено и ведёт к потере гарантии, а производитель не отвечает за возникший в результате этого

ущерб.

Какие-либо модификации устройства, выполненные пользователем, освобождают производителя от ответственности за повреждение и ущерб, причиненный пользователю и окружающей среде.

Даже при использовании по назначению, невозможно полностью устранить некоторые факторы остаточного риска. В силу конструкции и строения устройства могут возникнуть следующие опасности:

- Телесные повреждения в результате касания горячих частей устройства;
- Отбрасывание обрабатываемой детали или части обрабатываемой детали.

■ Состав комплекта:

- Термовоздуходувка - 1 шт.
- Инструкция по обслуживанию - 1 шт.
- Гарантийная карта - 1 шт.

■ Элементы устройства (см. рис. А):

Нумерация элементов устройства относится к изображению, имеющемуся на странице 2 инструкции по обслуживанию:

1. Выходное сопло
2. Включатель / Переключатель режима работы
3. Кабель электропитания

ТЕХНИЧЕСКИЕ ПАРАМЕТРЫ:

Напряжение питания	220-240 В	
Частота напряжения питания	50/60 Гц	
Номинальная мощность	1800Вт	
Рабочая температура/ Скорость воздушного потока	режим I	50°C / 250 л/мин
	режим II	400°C / 250 л/мин
	режим III	600°C / 500 л/мин
Класс электрической защиты	II	
Вес	0,75 кг	

■ Данные относительно уровня шума

Измеренный уровень звукового давления не превышает 70 дБ(А).

ПРЕЖДЕ ЧЕМ ПРИСТУПИТЬ К РАБОТЕ:

1. Следует убедиться, что параметры источника питания, к которому будет подключена термовоздуходувка, соответствуют её параметрам, указанным на заводском щитке.
2. Убедиться, что главный выключатель находится в положении «выключено». При вставлении штепсельной вилки в розетку, в ситуации, когда главный выключатель находится в положении «включено», может произойти несчастный случай, поскольку термовоздуходувка немедленно начинает работать.
3. В случае работы в месте, удалённом от сетевой розетки, необходимо использовать удлинитель шнура электропитания, сечение проводов которого соответствует величине потребляемого тока. Рекомендуется применять максимально короткие удлинители электропитания. Удлинитель должен быть полностью размотан.

ВОВРЕМЯ РАБОТЫ:

■ Включение/выключение

- Для включения устройства Включатель / Переключатель режима работы (2) следует переключить в режим I, II или III.
- Для выключения устройства Включатель / Переключатель режима работы (2) передвинуть до упора в положение 0.

■ Выбор режима работы

Включатель/переключатель режима работы (2) имеет три рабочих положения (см. рис. А).

Соответствующую скорость потока воздуха и температуру можно установить в соответствии с таблицей:

Режим работы I	250 л/мин - 50°C
Режим работы II	250 л/мин - 400°C
Режим работы III	500 л/мин - 600°C

Режим тёплого воздуха I пригоден для охлаждения нагретого обрабатываемого предмета или для сушки краски. Его можно применять также для охлаждения устройства, прежде чем его отложить или осуществить смену насадок-сопел (отсутствуют в комплекте).

ВНИМАНИЕ: После переключения с высокой температуры на низкую необходимо определённое время для охлаждения воздуходувки.

УКАЗАНИЕ ПО РАБОТЕ СУСТРОЙСТВОМ:



ВНИМАНИЕ! Во время работы следует избегать перемещения воздуходувки перпендикулярно до обрабатываемой поверхности. Это ведёт к отражению горячего воздуха от поверхности и повторного всасывания его через ротор электродвигателя. Это ведёт к увеличению температуры внутри электродвигателя, что ведёт к повреждению воздуходувки. Воздуходувку необходимо перемещать под углом примерно 45° относительно обрабатываемой поверхности.

Расстояние от сопла до обрабатываемого предмета зависит от обрабатываемого материала, но не может быть меньше 5 см.

Прежде чем выключить устройство необходимо на десять – двадцать секунд установить режим работы на самую низкую температуру и максимально увеличить скорость воздушного потока с целью охлаждения нагревательного элемента. Это повышает срок службы электроинструмента.

■ Откладывание устройства

С целью охлаждения разогретого устройства или в случае, когда обе руки должны быть свободны для работы, необходимо установить воздуходувку вертикально на горизонтальную поверхность (см. рис. В).

ВНИМАНИЕ: Необходимо соблюдать особую осторожность при работе с отложенным устройством! Существует опасность ожога об горячее сопло или струёй горячего воздуха.

ОБСЛУЖИВАНИЕ И ТЕХНИЧЕСКИЙ УХОД:

1. Воздуходувку необходимо содержать в чистоте, обеспечивая свободное протекание воздуха.
2. Защищать воздуходувку от контакта с водой и проникания пыли и других мелких элементов вовнутрь электроинструмента.
3. Пластмассовый корпус воздуходувки нельзя чистить при

помощи химических чистящих средств. Применять слегка влажную тряпку и мыло. Воздуходувку можно эксплуатировать только после полного высыхания корпуса в натуральных условиях.

4. Регулярно проверять техническое состояние провода питания. При обнаружении повреждения, провод следует немедленно заменить.
5. В случае возникновения технических проблем, просим связаться с сервисной службой. Адреса авторизованных сервисных пунктов указаны в гарантийной карте.

ПРОИЗВОДИТЕЛЬ:

ООО «ПРОФИКС»,
ул. Марывильска 34,
03-228 Варшава, ПОЛЬША

ЗАЩИТА ОКРУЖАЮЩЕЙ СРЕДЫ:



ВНИМАНИЕ: Представленный символ означает запрещение размещения использованного оборудования вместе с другими отходами (за это грозит наказание в виде штрафа). Опасные компоненты, имеющиеся в электрическом и электронном оборудовании отрицательно влияют на окружающую среду и здоровье человека.

Домашнее хозяйство должно способствовать восстановлению и повторному использованию (рециклированию) использованного оборудования. В Польше и в Европе создаётся или уже существует система сбора использованного оборудования, в рамках которой все пункты продажи в/у оборудования обязаны принимать использованное оборудование. Кроме того, имеются пункты приёма в/у оборудования.



Политика компании PROFIX - это политика постоянного совершенствования своих изделий, поэтому компания сохраняет за собой право изменения спецификации изделия без предварительного уведомления. Изображения, имеющиеся в инструкции, являются примерными и могут незначительно отличаться от фактического вида приобретённого электроинструмента.

Настоящая инструкция по эксплуатации защищена авторскими правами. Запрещено её копирование и размножение без согласия ООО «ПРОФИКС».



ÎNAINTE DE UTILIZARE, CITIȚI ACESTE INSTRUCȚIUNI.

Păstrează instrucțiunile pentru o folosire viitoare.



ATENȚIE! Citește toate avertismentele referitoare la protecția muncii marcate cu simboluri ⚠ și toate indicațiile referitoare la utilizarea în siguranță.

Nerespectarea avertismentelor de mai jos, poate duce la accidente și la electrocutare, incendiu și/sau la vătămări corporale.

Păstrează toate avertismentele și indicațiile referitoare la protecția muncii, pentru a le folosi în viitor.

În avertismentele de mai jos, termenul "unealtă electrică" înseamnă unealtă care este alimentată de la rețea (cu cablu de alimentare) sau unealtă electrică alimentată din baterie (fără cablu).



ATENȚIE! Reguli generale de protecție a muncii.

Siguranța la locul de muncă:

- a) **La locul de muncă păstrează curățenie și bună iluminare.** Zonele și bancurile de lucru aglomerate cheamă accidentele.
- b) **Nu utilizați unealta electrică în atmosferi explozive, formate din lichide inflamabile, gaze sau lichide.** Unelata electrică produce scânteii, care pot aprinde praful sau aburii.

- c) **Țineți copiii departe de locurile în care unealta electrică este folosită.**

Distragerea atenției poate duce la pierderea atenției asupra uneltei electrice.



- a) **ATENȚIE!** Reguli generale cu privire la utilizarea în siguranță a uneltei.

Siguranța electrică:

- a) **Ștecherul uneltei electrice trebuie să fie conforme cu priza. Este interzisă modificarea ștecherului. Este interzisă utilizarea prelungitoarelor în cazul uneltelor electrice cu cablu de legare la pământ de protecție.** *Nemodificarea ștecherelor și a prizelor micșorează riscul de electrocutare.*
- b) **Evitați să atingeți suprafața de împământare sau conectările la masă, cum ar fi conducte, radiatoare, radiatoare de încălzire centrală și frigider.** *În cazul atingerii părților împământate, crește riscul de electrocutare.*
- c) **Nu expuneți sculele electrice în condiții de ploaie sau mediu umed.** *În caz de infiltrație cu apă, crește riscul de electrocutare.*
- d) **Nu abuzați de cablurile de conectare. Nu folosiți cablul de alimentare la mutarea, tragerea uneltei sau tragerea ștecherului din priză. Păstrați cablul de alimentare departe**

de surse de căldură, ulei, muchii ascuțite sau părți în mișcare. *Cablurile deteriorate sau încurcate cresc riscul de electrocutare.*

- e) În cazul în care unealta electrică este folosită în aer liber, conectarea trebuie efectuată cu ajutorul prelungitoarelor destinate funcționării în aer liber. *Folosirea prelungitorului destinat funcționării în aer liber, micșorează riscul de electrocutare.*
- f) Vă recomandăm să racordați aparatul la o rețea electrică dotată cu un comutator cu curent diferențial (RCD) cu amperaj de acționare de 30mA sau maimic.
- g) În cazul în care unealta electrică este folosită în mediu umed, este inevitabilă, utilizarea unui dispozitiv de protecție împotriva tensiunii de alimentare, cum ar fi aplicarea unui dispozitiv de curent rezidual (RCD). *Folosirea RCD micșorează riscul de electrocutare.*



ATENȚIE! Avertismente generale cu privire la siguranța folosirii uneltei.

Siguranță personală:

- a) Acest echipament nu este destinat utilizării de către persoane (inclusiv copii) cu abilități fizice reduse, senzoriale sau mentale, sau de persoane care nu au experiență sau nu cunosc echipamentul, cu excepția cazului în care are loc sub

supraveghere sau în conformitate cu instrucția de folosire a echipamentului, de către o persoană responsabilă pentru siguranța lor.

- b) Trebuie să fiți atent, să aveți grijă ce faceți și să păstrați bun simț în timpul folosirii uneltei electrice. Nu folosiți unealta electrică, când sunteți obosiți sau sub influența drogurilor, alcoolului sau a medicamentelor. *Un moment de neatenție în timpul lucrului cu unelata electrică poate cauza vătămări personale grave.*
- c) Folosiți echipament de protecție. Purtați întotdeauna ochelari de protecție. *Folosind echipamentul de protecție cum ar fi masca de praf, pantofi cu anti-alunecare, căști sau protecție auditivă, micșorați riscul de vătămare.*
- d) Evitați pornirea accidentală. Înainte de conectarea la sursa de alimentare și/sau înainte de conectarea bateriei și înainte de ridicarea sau mutarea uneltei asigurativă că comutatorul uneltei electrice este în poziția oprită. *Mutarea uneltei electrice cu degetul pe comutator sau conectarea uneltei electrice la rețeaua de alimentare în poziția pornită poate provoca un accident.*
- e) Înainte de pornirea uneltei electrice îndepărtați toate uneltele din apropiere. *Lăsarea de unelte pe părțile de mișcare ale uneltei electrice poate duce la vătămări corporale.*
- f) Nu vă aplecați prea mult. Trebuie să

stați sigur și să mențineți echilibrul.

Acest lucru va permite un control mai bun asupra uneltei electrice în situații neașteptate.

g) Îmbrăcați-vă corespunzător. Nu

purtați haine largi sau bijuterii. Țineți părul strâns, hainele și mănușile departe de părțile în mișcare. Hainele largi, bijuteria sau părul lung se pot agăța de părțile în mișcare.

h) Dacă echipamentul este potrivit pentru conectarea extractorului de praf extern și a colectorului de praf,

asigurați-vă că acestea sunt conectate și folosite corect. Folosirea colectorului de praf poate reduce riscul de pericole legate de prăfuite.

i) Nu permiteți ca abilitățile obținute

prin utilizarea frecventă a sculei electrice să vă facă să vă simțiți prea încrezători în sine și să ignorați regulile de siguranță. Acțiunile necorespunzătoare pot provoca vătămări grave într-o fracțiune de secundă.



ATENȚIE! Avertismente generale

cu privire la folosirea în siguranță a uneltei.

Utilizarea și îngrijirea uneltei electrice:

a) Nu supraîncărcați unealta electrică.

Utilizați o unealtă electrică în funcție de puterea necesară muncii efectuate. Unealta electrică corectă va permite o funcționare mai bună și este sigură în cazul însărcinării, pentru care a fost proiectată.

b) Este interzisă utilizarea uneltei electrice dacă comutatorul nu pornește și nu oprește unealta. Fiecare unealtă electrică care nu pornește sau nu se oprește este periculoasă și trebuie reparată.

c) Deconectați ștecherul de la sursa de alimentare a uneltei electrice și/sau deconectați bateria înainte de orice setare, schimbare de părți sau depozitare. Aceste mijloace de protecție reduc riscul unei porniri accidentale a uneltei electrice.

d) Unealta electrică nefolosită trebuie depozitată departe de copii și nu trebuie împrumutată persoanelor care nu cunosc unealta electrică sau care nu au citit această instrucție de folosire a uneltei electrice. Unelata electrică este periculoasă când este folosită de o persoană fără experiență.

e) Unelata electrică trebuie bine întreținută. Trebuie controlată alinierea sau bruierea pieselor în mișcare, ruperea pieselor și alți factori care pot avea influență la funcționarea uneltei electrice. Dacă găsim o deteriorare, unealta electrică înaintea folosirii trebuie reparată.

Cauza multor accidente este întreținerea necorespunzătoare a uneltei electrice.

f) Uneltele de tăiere trebuie să fie ascuțite și curate. Întreținerea părților ascuțite ale uneltelei de tăiere reduce riscul de blocare în material și ușurează folosirea.

g) Unealta electrică, echipamentul,

uneltele de lucru, etc. trebuie să fie folosite în conformitate cu această instrucție, ținând cont de tipul și condițiile de lucru. Utilizarea uneltei electrice în alt mod decât este destinația, poate duce la situații periculoase.

- h) La temperaturi scăzute, sau după o perioadă îndelungată de nefolosire, este recomandată pornirea uneltei electrice fără sarcină pentru câteva minute pentru a distribui corect unsoarea în mecanismul de transmisie.
- i) Pentru curățirea uneltei electrice folosiți o cârpă moale, umedă (nu udă) și săpun. Nu folosiți benzină, diluanți sau alte mijloace care pot deteriora echipamentul.
- j) Unealta electrică trebuie depozitată/transportată numai după ce ne-am asigurat că toate elementele în mișcare sunt blocate și asigurate cu ajutorul elementelor originale destinate blocării.
- k) Unealta electrică trebuie păstrată într-un loc uscat, asigurat împotriva prafului și a umezelii.
- l) Transportul uneltei electrice trebuie să aibă loc în ambalajul original, asigurat împotriva deteriorărilor mecanice.
- m) Mânerele și suprafețele de prindere trebuie să fie menținute curate fără ulei și grăsime. Mânerele și suprafețele de

prindere alunecoase nu permit ținerea în siguranță și controlul sculei în situații neașteptate.



ATENȚIE! Avertismente generale cu privire la folosirea în siguranță a uneltei.

Repararea:

- a) Reparații în garanție și postgaranție ale uneltelor dumneavoastră electrice sunt efectuate de Service-ul PROFIX, ceea ce garantează calitatea cea mai ridicată a reparațiilor și utilizarea de piese originale de schimb.



AVERTISMENT! PISTOLUL CU AER CALD, avertismente suplimentare referitoare la siguranță – Siguranța la locul de muncă:

- a) **Lucrați în loc de muncă bine ventilat.**
Gazele și vaporii care apar în timpul funcționării sunt dăunătorii sănătății.
- b) **Utilizarea fără atenție a aparatului poate cauza incendii, de aceea:**
 - trebuie să fiți precauți atunci când utilizați aparatul în locuri în care se află materiale inflamabile;
 - nu îndreptați fluxul de aer fierbinte în același loc timp îndelungat;
 - nu utilizați aparatul în condiții de atmosferă explozivă;
 - căldura poate fi transferată la materialele inflamabile care se află în afara câmpului de vedere, aveți în vedere acest fapt;

– după utilizarea aparatului trebuie să-l așezați pe suportul acestuia și să-l lăsați să se răcească înainte de a-l depozita;

– nu lăsați nesupravegheat aparatul pornit.

c) **Este interzisă îndreptarea vârfului, cu flux de aer fierbinte, înspre alte persoane, animale sau unde se află depozitate materiale inflamabile.**

Siguranță electrică:

a) **Nu folosiți unealta în timpul ploii sau în condiții de umiditate ridicată. Poate fi cauză de rănire sau vătămare corporală prin electrocutare.**

b) **În cazul utilizării pistolului în aer liber, folosiți întotdeauna instalație de diferențiere (RCD). Folosirea RCD micșorează riscul de electrocutare.**

c) **Înainte de fiecare pornire, controlați pistolul, cablul de alimentare și ștecherul. În cazul deteriorării, întrerupeți lucrul și trimiteți unelata la reparare într-un service autorizat (adresa este înscrisă în fișa de garanție). Continuarea lucrului cu pistolul deteriorat este un pericol pentru sănătate și viață. Niciodată nu deschideți unelata.**

d) **Nu introduceți elemente în vârful. Poate duce la distrugerea uneltei și electrocutare.**

e) **Cablul de alimentare întotdeauna trebuie să fie în spatele uneltei.**

f) **Este interzisă îndreptarea fluxului de**

aer cald spre cablul de alimentare sau atingerea cablului de alimentare cu vârful firbinte. Este pericol de topire a izolării și electrocutare.

g) **Este interzisă tragerea sau agățarea de cablul de alimentare.**

h) **Este interzisă utilizarea uneltei electrice cu cablul de alimentare deteriorat. Este interzisă atingerea cablului deteriorat; în cazul deteriorării în timpul utilizării, scoateți ștecherul din priză. Cablurile deteriorate cresc riscul de electrocutare.**



AVERTISMENT!

Dacă cablul de alimentare este deteriorat, trebuie înlocuit cu unul nou la producător sau într-un service autorizat, sau de către o persoană calificată pentru a evita pericolele.

Siguranță personală:

a) **În timpul prelucrării de materiale plastice, vopsele, lac și alte materiale asemănătoare pot apărea gaze inflamabile și otrăvitoare. Unealta nu poate fi folosită în apropierea gazelor sau a materialelor inflamabile.**

b) **Pentru protecția împotriva aburilor, purtați o mască specială, de protecție împotriva prafului și a aburilor din vopselele cu plumb, și aveți grijă de siguranța celorlalte persoane aflate în locul de muncă.**

c) **Pericol de arsuri! Niciodată nu atingeți vârful firbinte. Folosiți întotdeauna mănuși de protecție.**

d) Când unelata este pornită, nu ingerați în vârf.

e) În timpul muncii folosiți întotdeauna ochelari de protecție.

f) Nu folosiți unealta ca un uscător de păr! Temperatura aerului din unelată este cu mult mai mare decât temperatura uscătorului de păr.

Folosirea și grija de unealta electrică:

a) Protejați pistolul împotriva loviturilor sau deteriorărilor suprafeței de către obiecte ascuțite.

b) Înainte de începerea folosirii pistolului, controlați dacă orificiile de intrare și ieșire ale aerului și eliminați eventualele elemente care pot bloca trecerea liberă a aerului.

c) Nu ardeți vopseaua, este pericol de incendiu. Aveți grijă, ca vopseaua să nu se lipească de vârful pistolului, deoarece după un timp se poate aprinde.

d) Nu acoperiți orificiile de intrare și ieșire a aerului, deoarece poate duce la creșterea temperaturii și deteriorarea pistolului. Orificiul de ieșire nu poate fi apropiat de materialul prelucrat mai aproape de 5 cm.

e) În timpul utilizării și imediat după terminarea lucrului, nu sprijiniți vârful de obiectele din împrejur. Este interzisă lăsarea pistolului pe partea laterală. În cazul în care lăsați jos aparatul acesta trebuie așezat în poziție verticală.

f) În timpul pauzelor în lucru, în timpul nefolosirii și înainte de orice operații

lângă sau cu pistolul (de ex. revizii, curățarea, reglarea) scoateți ștecherul din priză.

g) Nu permiteți folosirea pistolului de către copii.

CONSTRUCȚIA ȘI DESTINAREA PISTOLULUI:

Pistolul este o unealtă electrică manuală. Se caracterizează prin dimensiunile mici, forma ergonomică, nivel scăzut de zgomot, viteză mare a fluxului de aer, reglare trimodală a temperaturii de funcționare.

Unelata este destinată îndepărtării de straturi de vopsea, formarea și sudarea de materiale sintetice precum și strângerea „cămășilor” cu contractare termică. Unelata poate fi folosită deasemenea și la înmoirea cleiului sau dezghețarea cablurilor de canalizare.

ATENȚIE! Dispozitivul nu este conceput pentru a funcționa cu comutatoari de timp externi sau cu un sistem separat de control de la distanță.

Este interzisă folosirea uneltei pentru efectuarea de lucrări care necesită folosirea de echipamente profesionale. Fiecare utilizare a pistolului nu în conformitate cu destinația indicată mai sus, este interzisă și poate duce la pierderea perioadei de garanție precum și lipsa de responsabilitate a producătorului pentru prejudiciul rezultată.

Orice modificări făcute de către utilizator, eliberează producătorul de răspundere pentru daunele și prejudiciile rezultate utilizatorului sau mediului înconjurător.

În ciuda utilizării în conformitate cu destinația, nu pot fi complet eliminați anumiți factori de risc rezidual. Datorită construcției utilajului pot apărea următoarele riscuri:

- Vătămarea corporală datorată contactului cu părțile fierbinți ale dispozitivului;
- Respingerea piesei de prelucrat sau a unei părți a piesei de prelucrat.

■ Set de livrare

- Pistol de aer cald - 1 buc.
- Instrucția de folosire - 1 buc.
- Fișa de garanție - 1 buc.

■ Elementele uneltei (vezi fig.A):

Numerotarea elementelor se referă la prezentarea grafică de pe pagina 2 a instrucției de folosire:

1. Duza de ieșire
2. Întrerupător / Comutator tip de lucru
3. Cablul de alimentare

SPECIFICAȚII TEHNICE:

Tensiunea de alimentare	220-240 V	
Frecvența de alimentare	50/60 Hz	
Puterea absorbită	1800W	
Temperatura de operare/ Flux de aer	mod I	50°C / 250 l/min
	mod II	400°C / 250 l/min
	mod III	600°C / 500 l/min
Clasa uneltei	II	
Greutate	0,75 kg	

■ Informație cu referire la zgomot

Nivelul de presiune acustică măsurată este mai mică decât 70 dB(A).

ÎNAINTE DE ÎNCEPEREA LUCRULUI:

1. Asigurați-vă că sursa de alimentare, la care este pistolul conectat, corespunde parametrilor indicați pe tabelul nominat al pistolului.
2. Asigurați-vă, că întrerupătorul central este în poziția oprită. În cazul introducerii ștecherului în priză, în situația în care întrerupătorul este în poziția pornit, poate duce la un accident grav, deoarece pistolul imediat începe funcționarea.
3. În cazul în care locul de lucru este îndepărtat de priză, trebuie utilizat prelungitorul, cu o secțiune corespunzătoare a cablului, corespunzător în funcție de mărirea curentului de trecere. Se recomandă folosirea de prelungitoare cât mai scurte. Prelungitorul trebuie să fie în totalitate întins.

ÎN TIMPUL LUCRULUI:

■ Pornire/oprire

- Pentru a porni aparatul setați întrerupătorul (2) la modul I, II, sau III.
- Pentru a-l opri setați întrerupătorul (2) până la capăt la poziția O.

■ Setarea modului de funcționare

Întrerupătorul (2) poate fi setat în trei poziții de lucru (vezi fig. A).

Fluxului de aer și temperatura pot fi stabilite în funcție de tabelul:

Modul I	250 l/min - 50°C
Modul II	250 l/min - 400°C
Modul III	500 l/min - 600°C

Modul I poate fi folosit pentru răcirea obiectelor prelucrate încălzite sau pentru uscarea vopselei. Poate fi folosit de asemenea pentru răcirea aparatului înainte de depozitare sau de schimbarea duzelor atașabile (nu face parte din set).

ATENȚIE: La schimbarea temperaturii de la înaltă la scăzută, este necesar un timp pentru răcirea pistolului.

INSTRUCȚIUNI DE OPERARE:



ATENȚIE! În timpul funcționării, evitați introducerea perpendiculară a pistolului în funcție de suprafața prelucrată. Acest lucru duce la reflecția aerului fierbinte de pe suprafața prelucrată și aspirarea de către rotorul motorului. Duce la creșterea temperaturii în interiorul motorului, lucru ce duce la deteriorarea pistolului. Pistolul trebuie îndreptat sub unghiul de 45° în funcție de suprafața prelucrată.

Distanța dintre duză și obiectul prelucrat depinde de materialul

prelucrat, dar nu poate fi mai mică de 5 cm.

Înainte de a opri aparatul trebuie setați modul de lucru al aparatului pentru mai mult de zece secunde la cea mai mică temperatură și să setați la maxim viteza fluxului de aer pentru a răci elementul de încălzire. Acest lucru prelungeste durata de viață a aparatului.

■ Repausul unelei

Pentru a răci aparatul sau pentru a folosi ambele mâini în timpul lucrului trebuie să așezați pistolul cu aer cald în poziție verticală pe o suprafață orizontală (vezi fig. B).

ATENȚIE: La lucrări lângă unealta în repaus, trebuie să fiți foarte atenți! Există pericolul de arsuri la contact cu vârful încins sau la curentul de aer fierbinte.

UTILIZAREA ȘI ÎNTREȚINEREA:

1. Pistolul trebuie întreținut curat, asigurând o trecere liberă a aerului.
2. Protejați pistolul împotriva contactului cu apa și infiltrarea de praf, mizerie sau a altor elemente mici în interiorul mașinii.
3. Carcasa de plastic a pistolului nu poate fi curățată cu ajutorul agenților chimici de curățare. Folosiți o cârpă ușor umedă și săpun. Pistolul poate fi utilizat doar după uscarea în întregime a carcasei în condiții naturale.
4. Regulați controlați starea tehnică a cablului de alimentare și în cazul deteriorării, înlocuiți cablul de alimentare cu unul nou.
5. În cazul în care întâmpinați probleme tehnice vă rugăm să luați legătura cu un punct de service. Adresele punctelor de service autorizate sunt indicate în fișa de garanție.

PRODUCĂTOR:

PROFIX Sp. z o.o.,
str. Marywilka 34,
03-228 Varsovia, POLONIA

PROTECȚIA MEDIULUI ÎNCONJURĂTOR:



ATENȚIE: Simbolul prezentat înseamnă interdicția de a amplasa aparatul uzat împreună cu alte deșeuri (sub amenințarea unei amenzi). Componentele periculoase aflate în aparatul electric și electronic influențează negativ mediul natural și sănătatea oamenilor.

Fiecare gospodărie casnică trebuie să contribuie la redobândirea și refolosirea (recycling) aparatului uzat. Atât în Polonia, cât și în Europa se organizează sau deja există sistemul de culegere a aparatului uzat, în cadrul căruia toate punctele de vânzare a respectivei aparaturii sunt obligate să preia aparatul uzat. În plus, există centrele de colectare a acestuia tip de aparatură.



Politica firmei PROFIX este aceea de perfecționare continuă a produselor sale și de aceea firma își rezervă dreptul de modificare a specificației produsului fără înștiințarea anterioară. Imaginile indicate în instrucțiunile de utilizare sunt doar exemple și se pot diferi puțin de aspectul real al dispozitivului achiziționat.


Prezenta instrucțiune este protejată prin dreptul de autor. Copierea/inmulțirea fără acordul în scris al firmei PROFIX Sp. z o.o. este interzisă.



**PIRMS DARBA SĀKUMA
NEPIECIEŠAMS IEPAZĪTIES AR ŠO
INSTRUKCIJU.**

Saglabā instrukciju varbūtējai turpmākai lietošanai.



BRĪDINĀJUMS! Nepieciešams izlasīt visus brīdinājumus apzīmētus ar simboliem , k u r i attiecas uz lietošanas drošību un visus lietošanas drošības norādījumus.

Neievērojot zemāk uzrādītos drošības brīdinājumus un norādījumus attiecībā uz drošību var būt par elektriskās strāvas triecienu, ugunsgrēku un/vai nopietnu traumu iemeslu.

Ievērot visus brīdinājumus un norādījumus attiecībā uz drošību, lai tos turpmāk varētu izmantot.

Zemāk uzrādītos brīdinājumos „elektroinstrumentus” nozīmē elektroinstrumentu, kurš tiek barots no elektriskā tīkla (ar barošanas vadu) vai elektroinstrumenti baroti no akumulatora (bezvadu).



BRĪDINĀJUMS! Vispārējie instrumenta drošas lietošanu norādījumi.

Darba vietas drošība:

a) **Darba vietā nepieciešams uzturēt kārtību un labu apgaismojumu.** Nekārtība un slikts pagaisojums ir negadījumu iemesls.

b) **Nedrīkst lietot elektroinstrumentu sprāgstošā, viegli uzliesmojošā, gāzu un putekļainā vidē.** *Elektroinstrumenta darbības laikā rodas dzirksteles, no kurām var aizdegties putekļi un tvaiki.*

c) **Vietā, kur tiek lietoti elektroinstrumenti nevar atrasties bērni un novērotāji.** *Novēršot uzmanību var zaudēt kontroli par elektroinstrumentu.*



BRĪDINĀJUMS! Vispārējie instrumenta drošas lietošanu norādījumi.

Elektriskā drošība:

a) **Elektroinstrumenta kontaktdakšīnām jābūt pielāgotām pie kontaktligzdām. Nekad nekādā gadījumā nedrīkst mainīt kontaktdakšīņu. Nedrīkst lietot nekādus pagarinātājus gadījumā, ja elektroinstrumenti ir apgādāti ar vadu ar aizsardzības iezemējuma dzislu.** *Ja netiek darītas kontaktdakšīņu un kontaktligzdu izmaiņas, tas samazina elektriskā triecienu risku.*

b) **Nepieciešams izvairīties no iezemētām virsmām vai savienotām ar masu, kā piemēram caurules, sildītāji, centrālā apkures radiatori un dzesinātāji.** *Gadījumā, ja notiek kontakts ar iezemētām vai ar masu savienotām daļām pieaug elektriskās strāvas triecienu risks.*

- c) **Nedrīkst pakļaut elektroinstrumentus uz lietus vai mitruma iedarbību.** *Gadījumā, ja elektroinstrumentā iekļūst ūdens pieaug elektriskās strāvas trieciena risks.*
- d) **Nedrīkst pārslogot savienojuma vadus.** **Nekad nedrīkst lietot savienojuma vadu elektroinstrumenta pārnēsāšanai, vilkšanai vai izvilkt kontaktdakšīņu no kontaktligzdas aiz vada.** **Nepieciešams turēt savienojuma vadu tālu no siltuma avotiem, eļļainām, asām šķautnēm vai kustīgām daļām.** *Bojāti vai sapīti savienojuma vadi palielina elektriskās strāvas triecienarisku.*
- e) **Gadījumā, ja elektroinstrumenti tiek lietoti ārpusē, savienojuma vadus nepieciešams pagarināt ar pagarinātājiem, kuri ir piemēroti darbam ārpusē.** *Lietojot pagarinātājus piemērotus darbam ārpusē samazinās elektriskās strāvas trieciena risks.*
- f) **Ieteicams ierīci pievienot pie elektriskā tīkla, kurš ir aprīkots ar RCD slēdzi ar 30mA vai mazāku izslēgšanas strāvu.**
- g) **Gadījumā, ja ir nepieciešamība lietot elektroinstrumentu mitrā vidē, par sprieguma aizsardzību nepieciešams lietot strāvas starpības ierīci (RCD).** *Lietojot RCD samazinās elektriskās strāvas trieciena risks.*



BRĪDINĀJUMS! Vispārējie instrumenta drošas lietošanu norādījumi.

Individuālā drošība:

- a) **Šī ierīce nav pamērota lietot cilvēkiem (tai skaitā bērniem) ar ierobežotām fiziskām, jūtības un psihiskām spējām, vai cilvēkiem bez ierīces darbības pieredzes vai zināšanām, izņemot, ja tas notiek uzraudzībā vai saskaņā ar ierīces lietošanas instrukciju, ar kuru ir iepazinušās par drošību atbildīgas personas.**
- b) **Elektroinstrumenta lietošanas laikā nepieciešams būt tālredzīgiem, novērot kas notiek un saglabāt skaidru saprātu.** **Nedrīkst lietot elektroinstrumentu noguruma laikā vai narkotisku vielu, alkohola vai zāļu iedarbībā.** *Neuzmanības mirklis strādājot ar elektroinstrumentu var radīt nopietnas ķermeņa traumas.*
- c) **Nepieciešams lietot individuālos aizsardzības līdzekļus.** **Vienmēr nepieciešams lietot aizsargbrilles.** *Lietojot attiecīgos apstākļos aizsardzības līdzekļus, tādus kā putekļu maskas, neslīdošus apavus, ķiveres vai dzirdes aizsardzības līdzekļus, samazināsies individuāla traumas.*
- d) **Nepieciešams izvairīties no neparedzētām kustībām.** **Pirms pieslēgšanas pie barošanas avota un/vai pirms akumulatora**

pieslēgšanas kā arī pirms tam, kad paceļam vai pārceļam ierīci nepieciešams pārlicināties, ka elektroinstrumenta slēdzis atrodas izslēgšanas stāvoklī. *Pārnēsāt elektroinstrumentu ar pirkstu uz slēdža vai barošanas tīklā pieslēgtu elektroinstrumentu pie ieslēgta slēdža var būt par negadījuma iemeslu.*

- e) **Pirms elektroinstrumenta palaišanas nepieciešams novākt visas atslēgas.** *Atslēga atstāta rotējoša elektroinstrumenta tuvumā var radīt individuālas traumas.*
- f) **Nedrīkst pārlietu tālu izlikties. Visu laiku nepieciešams stāvēt stabili un saglabāt līdzsvaru.** *Tas dos iespēju neparedzētās situācijās labāk kontrolēt elektroinstrumentu.*
- g) **Nepieciešams attiecīgi gērbties. Nedrīkst nēsāt vaļīgus apģērbus vai rotas lietas. Nepieciešams turēt savus matus, apģērbus un cimdus tālu no kustīgām daļām.** *Vaļīgs apģērbs, rotas lietas vai gari mati var tikt aizķerti ar kustīgām daļām.*
- h) **Ja ierīce ir pielāgota ārējai putekļu sūkšanai un putekļu uzsūkšanai, nepieciešams pārlicināties, ka tie ir pieslēgti un pareizi lietoti.** *Lietojot putekļu sūcēju var samazināt putekļu eelpošanas bīstamību.*
- i) **Nedrīkst pieļaut, lai iemaņas iegūtas bieži lietojot elektroinstrumentu samazinātu mūsu modrību un drošības noteikumu ignorēšanu.**

Bezrūpīga rīcība var izraisīt nopietnus ievainojumus sekundes laikā.



BRĪDINĀJUMS! Vispārējie instrumenta drošas lietošanu norādījumi.

Lietošana un gādība par elektroinstrumentu:

- a) **Nedrīkst pārslogot elektroinstrumentu. Nepieciešams piemērot elektroinstrumentu veiktajam darbam.** *Pareizs elektroinstrumenta nodrošinās labāku un drošāku darbu pie slodzes, kādam tas tika projektēts.*
- b) **Nedrīkst lietot elektroinstrumentu, ja slēdzis to neieslēdz un neizslēdz.** *Katrs elektroinstrumenta, kuru nevar ieslēgt vai izslēgt ar slēdzi ir bīstams un to nepieciešams labot.*
- c) **Nepieciešams atvienot elektroinstrumenta kontaktdakšīņu no barošanas avota un/vai atslēgt akumulatoru pirms tiek veikta jebkāda uzstādīšana, detaļu maiņa vai instrumenta glabāšana.** *Tādas drošības darbības reducē neparedzētu elektroinstrumenta palaišanu.*
- d) **Nelietotu elektroinstrumentu nepieciešams glabāt bērniem nepieejamās vietās un nedrīkst atļaut personām, kuras nav iepazinušas ar elektroinstrumentu vai šo lietošanas instrukciju lietot elektroinstrumentu.** *Elektroinstrumenti ir bīstami neapmācītu lietotāju rokās.*

- e) **Elektroinstrumentu nepieciešams konservēt.** Nepieciešams pārbaudīt asu sakritību vai kustīgo daļu iekļilēšanos, detaļu plisumus un visus apstākļus, kuri varētu ietekmēt elektroinstrumenta darbu. Ja tiek konstatēts bojājums, elektroinstrumentu pirms lietošanas nepieciešams salabot. *Daudzu negadījumu iemesls ir nepareiza elektroinstrumenta konservācija.*
- f) **Griezējinstrumentiem jābūt asiem un tīriem.** *Attiecīgi uzturēti asi griezējinstrumenta asmeņi samazina iekļilēšanās iespējas un atvieglo apkalpošanu.*
- g) **Elektroinstrumentu, aprīkojumu, darba instrumentus un tml. nepieciešams lietot saskaņā ar šo instrukciju, ņemot vērā darba apstākļus un veicamo darbu.** *Lietot elektroinstrumentu tam neparedzētā veidā var novest pie bīstamām situācijām.*
- h) **Zemās temperatūrās vai pēc ilgāka nelietošanas laika, ieteicams uz pāris minūtēm ieslēgt elektroinstrumentu bez slodzes, lai piedziņas mehānismā sāktu pareizi darboties smērēļļa.**
- i) **Elektroinstrumentu tīrīšanai lietot mīkstu, mitru (ne slapju) drānu un ziepes. Nelietot benzīnu, šķīdinātājus un citus līdzekļus, kuri varētu sabojāt ierīci.**
- j) **Elektroinstrumentu nepieciešams**

glabāt / transportēt iepriekš pārlicinoties, ka visas kustīgās daļas ir nobloķētas un nodrošinātas pret atbloķēšanos ar oriģināliem šim nolūkam paredzētiem elementiem.

- k) **Elektroinstrumentu nepieciešams glabāt sausā, no putekļiem un mitruma sargātā vietā.**
- l) **Elektroinstrumenta transportēšanu jāveic oriģinālā iepakojumā, kurš pasargā no mehāniskiem bojājumiem.**
- m) **Rokturus un satveršanas virsmas nepieciešams uzturēt tīras, bez eļļas un smēres.** *Neparedzētās situācijās slideni rokturi un satveršanas virsmas nedod iespēju droši turēt un kontrolēt instrumentu.*



BRĪDINĀJUMS! Vispārējie instrumenta drošas lietošanu norādījumi.

Remonts:

- a) **Savu elektroinstrumentu garantijas un pēcgarantijas remontus veic PROFIX serviss, kas garantē visaugstāko remontu kvalitāti kā arī tiek izmantotas oriģinālas rezerves daļas.**



BRĪDINĀJUMS! KARSTĀ GAISA PLŪSMAS ĢENERATORS, papildus drošības brīdinājumi –

Darba vietas drošība:

- a) **Nepieciešams strādāt labi ventilētā darba vietā.** *Gāzes un tvaiki, kuri rodas*

darba laikā bieži ir bīstami veselībai.

b) Neuzmanīgi rikojoties ar ierīci var būt parugunsgrēka iemesls, tāpēc:

–lietojot ierīci vietās, kur atrodas uzliesmojoši materiāli, nepieciešams ievērot uzmanību;

– nedrīkst vērst siltā gaisa plūsmu ilgu laikā vienā vietā;

– nelietot ierīci sprāgstošas atmosfēras klātbūtnē;

– nepieciešams apzināties, ka siltums var pārnesties uz ārpus redzes loka atrodošiem degošiem materiāliem;

– pēc ierīces lietošanas nepieciešams to novietot uz tā paliktņa un pirms noslēpšanas atstāt atdzišanai;

– neatstāt ierīci ieslēgtu bez uzraudzības.

c) Nedrīkst virzīt sprauslu ar izplūstošu karstā gaisa plūsmu citu cilvēku, dzīvnieku un viegli uzliesmojošu materiālu virzienā.

Elektriskā drošība:

a) **Nelietot ierīci lietus laikā vai paaugstināta mitruma apstākļos.** Tas var būt par ievainojuma vai dzīvības bīstama elektriskās strāvas trieciena iemeslu.

b) **Lietojot fēnu atklātā vietā nepieciešams lietot strāvas plūsmas starpības ierīci (RCD).** Lietojot RCD samazināsies elektriskā trieciena risks.

c) **Pirms katras ieslēgšanas pārbaudīt ierīci, barošanas vadu un kontaktdakšīņu. Bojājumu**

ievērošanas gadījumā pārtraukt darbu un ierīci nogādāt pilnvarotā servisa punktā (adrese uzrādīta garantijas kartē). Turpinātt darbu ar bojātu fēnu apdraud veselību un dzīvību. Nekad patstāvīgi neatvērt ierīci.

d) **Sprauslā neiespraust nekādus priekšmetus.** Tas var radīt ierīces defektu un elektriskās strāvas triecienu.

e) **Barošanas vadu vienmēr turēt ierīces aizmugurē.**

f) **Nedrīkst virzīt karstā gaisa plūsmu uz barošanas vadu un ar sakarsētu sprauslu pieskarties pie barošanas vada.** Tas draud ar izolācijas izkušanu un elektriskās strāvas triecienu.

g) **Nepārnēsāt un nekarināt ierīci aiz barošanas vada.**

h) **Nedrīkst lietot elektroinstrumentu ar bojātu barošanas vadu. Nedrīkst pieskarties pie bojāta vada; gadījumā, ja barošanas vads tiek bojāts darba laikā, nepieciešams izvilkt kontaktdakšīņu no kontaktligzdas.** Bojāti vadi palielina elektriskās strāvas trieciena risku.



BRĪDINĀJUMS!

Ja neatvienojamais barošanas vads tiek bojāts, to nepieciešams apmainīt pie ražotāja vai specializētā remonta darbnīcā, vai bīstamības novēršanai to veickvalificēta persona.

Individuālā drošība:

a) **Plastmasas, krāsu, laku un tamlīdzīgu**

materiālu apstrādes laikā var rasties viegli uzliesmojošas un indīgas gāzes. Instrumentu nedrīkst lietot viegli uzliesmojošu gāzu un materiālu tuvumā.

- b) Tvaiku aizsardzībai lietot speciālu masku, kura sargā no putekļiem un svina krāsu tvaikiem, un parūpēties arī par citu darba vietas tuvumā esošo cilvēku drošību.
- c) **Applaucēšanās bīstamība!** Nekad nepieskarties pie karstas sprausla. Vienmēr lietot aizsargcimdus.
- d) Kad ierīce ir ieslēgta nekad neskatīties sprauslā.
- e) Darba laikā vienmēr lietot aizsargbrilles.
- f) **Nelietot ierīci matu žāvēšanai!** Ierīces gaisa temperatūra ievērojami pārsniedz matu žāvēšanas fēna gaisa temperatūru.

Lietošana un gādība par elektroinstrumentu:

- a) Sargāt fēnu no sitieniem vai asu priekšmetu virsmas bojājumiem.
- b) Pirms fēna lietošanas sākuma vispirms nepieciešams pārbaudīt gaisa ieplūdi un izplūdi un likvidēt varbūtējus gaisa brīvas plūsmas elementus.
- c) **Nedezināt krāsu, tas var izraisīt ugunsgrēku.** *Uzmanīties, lai krāsa nepielīmētos pie sprauslas, par cik pēc kāda laika tā var aizdegties.*
- d) Neapsegt gaisa ieplūdes atveres kā

arī sprauslas izeju, par cik tas var radīt **pārmērīgu temperatūras paaugstināšanos un ierīces defektu.** *Sprauslas atveri nav ieteicams tuvināt pie apstrādājamā priekšmeta tuvāk par 5 cm.*

- e) **Darba laikā un uzreiz pēc tā beigām neatbalstīt sprauslu pie jebkāda priekšmeta. Nedrīkst nolikt fēnu uz tā sāniem.** Ja noliekam karstā gaisa fēnu, tad tam vienmēr jāatrodas vertikālā stāvoklī.
- f) **Visu darbu pārtraukšanas, ierīces nelietošanas laikā un pirms sākam jebkādas darbības ar ierīci (piem. apskate, tīrīšana, regulēšana) izvilkt kontaktdakšīņu no kontaktligzdas.**
- g) **Bērniem nekad neatļaut apkalpot ierīci.**

FĒNA UZBŪVE UN PIELIETOJUMS:

Fēns ir rokas elektroinstruments. To raksturo mazi izmēri, ergonomiska forma, zems trokšņa līmenis, liels izplūstošā gaisa ātrums, trīspakāpju darba temperatūras regulēšana.

Ierīce ir paredzēta krāsas pārklājumu, noņemšanai, plastmasas formēšanai un līmēšanai kā arī termiski saraujošo cauruļu uznavu sildīšanai. Ierīci var lietot arī līmes mikstināšanai un ūdensvada cauruļu atsaldēšanai.

UZMANĪBU! Ierīce nav paredzēta darbam ar ārējiem laika izslēdzējiem vai atšķirīgu tālvadības regulācijas sistēmu.

Nedrīkst lietot ierīci darbos, kur nepieciešama profesionāla iekārtu lietošana. Katra fēna lietošana neatbilstoši ar augstāk minēto pielietojumu ir aizliegta un noved līdz garantijas zaudēšanai kā arī ražotājs neņemas atbildību par šādā veidā radušajiem zaudējumiem.

Jebkāda ierīces modifikācija, kuru veic lietotājs atbrīvo ražotāju no atbildības par lietotāja un apkārtējās vides defektiem un zaudējumiem.

Ūn ciuda utilizārii in conformitate cu destinația, nu pot fi complet eliminați anumiți factori de risc rezidual. Datorită construcției utilizajului pot apărea următoarele riscuri:

- Vătămarea corporală datorată contactului cu părțile fierbinți ale dispozitivului;
- Respingerea piesei de prelucrat sau a unei părți a piesei de prelucrat.

■ Komplektācija

- Fēns - 1 gab.

- Apkalpošanas instrukcija - 1 gab.
- Garantijas karte - 1 gab.

■ Ierices elementi (skat. zīm.: A):

Ierices elementu numerācija attiecas uz grafisko attēlu apkalpošanas instrukcijas 2.lapaspusē:

1. Izplūdes sprausla
2. Slēdzis / Darba režīma slēdzis
3. Barošanas vads

TEHNISKIE DATI:

Barošanas spriegums	220-240 V	
Barošanas frekvence	50/60 Hz	
Jauda	1800W	
Darba temperatūra/ Gaisa plūsma	režīms I	50°C / 250 l/min
	režīms II	400°C / 250 l/min
	režīms III	600°C / 500 l/min
Instrumenta klase	II	
Masa	0,75 kg	

■ Trokšņa informācija

Ierices izmērītais akustiskā spiediena līmenis ir zemāks par 70 dB(A).

PIRMS DARBA SĀKUMA:

1. Pārlicināties, ka barošanas avota parametri, pie kura tiks pieslēgts fēns, atbilst parametriem uzrādītiem uz fēna plāksnītes.
2. Pārlicināties vai galvenais slēdzis atrodas izslēgšanas stāvoklī. Gadījumā, ja iespraužot kontaktdakšīņu kontaktilgzdā, galvenais slēdzis atrodas ieslēgšanas stāvoklī, var notikt nopietns negadījums, par cik uzreiz sākas fēna darbība.
3. Gadījumā, ja darba vieta ir attālināta no kontaktilgzdas, nepieciešams lietot pagarinātāju ar attiecīgu vadu šķērsriezumu, piemērotu strāvai. Ieteicams lietot pēc iespējas īsus pagarinātājus. Pagarinātājam jābūt pilnībā attītam.

DARBA LAIKĀ:

■ Ieslēgšana/izslēgšana

- Lai ieslēgtu elektroinstrumentu, pārvietojiet tā slēdzi / darba režīma slēdzi (2) stāvoklī I, II vai III.
- Lai izslēgtu ierīci slēdzi/darba režīma slēdzi (2) pārbīdīt līdz galam O stāvoklī.

■ Darba režīma izvēle

Slēdzi / darba režīma slēdzi (2) var iestatīt trīs darba stāvokļos (zīm. A).

Attiecīgu gaisa plūsmu un temperatūru var uzstādīt saskaņā ar tabulu:

Darba režīms I	250 l/min - 50°C
Darba režīms II	250 l/min - 400°C
Darba režīms III	500 l/min - 600°C

Režīms I ir noderīgs sakarsētā apstrādājamā priekšmeta atdzesēšanai vai

krāsas žāvēšanai. Var tiek lietots arī ierīces dzesēšanai pirms nolikšanas vai maināmo sprauslu maiņas (nav komplektā).

UZMANĪBU: Pārslēdzot temperatūru no augstākas uz zemāku nepieciešams laiks fēna atdzišanai.

DARBA NORADĪJUMI:



UZMANĪBU! Darba laikā izvairīties no paralēlas fēna vadības attiecībā pret apstrādājamo virsmu. Tas rada karstā gaisa atstarošanu no virsmas un atkārtotu tā iesūkšanu dzinēja rotorā. Tas rada temperatūras paaugstināšanos dzinēja iekšpusē, kas noved līdz fēna defektam. Fēnu nepieciešams vest apm. 45° leņķī attiecībā pret apstrādājamo virsmu.

Sprauslas attālums līdz apstrādājamam materiālam izvēlēties atkarībā no apstrādājamā materiāla, bet tas nevar būt mazāks par 5 cm.

Pirms ierīces izslēgšanas nepieciešams uz pāris sekundēm uzstādīt darba režīmu uz viszemāko temperatūru un maksimāli palielināt gaisa plūsmu sildelementa atdzesēšanai. Tas palielina ierīces ilgmūžību.

■ Ierīces nolikšana

Sakarsētās ierīces atdzesēšanai vai lai darba laikā abas rokas būtu brīvas, nepieciešams novietot karstā gaisa fēnu vertikāli uz horizontālas virsmas (skat. zīm. B).

UZMANĪBU: Strādājot ar ierīci novietotu uz statīva nepieciešams būt sevišķi uzmanīgam! Pastāv applaucēšanās bīstamība ar karstu sprauslu vai karstā gaisa plūsmu.

APKALPOŠANA UN KONSERVĀCIJA:

1. Fēnu nepieciešams uzturēt tīru, nodrošinot brīvu gaisa plūsmu.
2. Sargāt fēnu no kontakta ar ūdeni un putekļi, siko elementu iekļūšanas mašīnā.
3. Fēna plastmasas korpusu nedrīkst tīrīt ar ķīmiskiem tīrīšanas līdzekļiem. Lietot tikai viegli mitru drānu un ziepes. Fēnu var lietot tikai, kad korpusus dabīgos apstākļos ir pilnībā izžuvis.
4. Nepieciešams regulāri kontrolēt barošanas vada tehnisko stāvokli un bojājumu atklāšanas gadījumā, vadu nepieciešams nekavējoties apmainīt.
5. Tehnisku problēmu gadījumā lūdzam kontaktēties ar servisu. Autorizēto servisu adreses uzrādītas garantijas kartē.

RAŽOTĀJS: PROFIX SIA, Marywilka iela 34, 03-228 Varšava, Polija

VIDES AIZSARDZĪBA:



UZMANĪBU: Tajā veidā apzīmētus izstrādājumus, neizpildes gadījumā paredzot naudas sodu, nedrīkst izvest kopā ar parastiem atkritumiem. Elektriskajā un elektroniskajā iekārtā esošās briesmīgas vielas var kaitēt apkārtējai videi un cilvēku veselībai.

Nepieciešams veicināt iekārtu atkritumu pārstrādāšanai un atkārtotai izmantošanai (reciklēšanai). Polijā un Eiropā tiek veidots, vai jau eksistē, iekārtu atkritumu vākšanas sistēma, saskaņā ar ko visiem iepriekšminētās iekārtas pārdošanas punktiem ir pienākums pieņemt nolietotu iekārtu. Turklāt, ir pieejamas iepriekšminētās iekārtavākšanas punkti.




Firmas PROFIX politika ir nepārtraukta savu produktu pilnveidošanas politika, tāpēc firma sev rezervē tiesības ievest izstrādājuma specifiskācijas izmaiņas bez iepriekšējas paziņošanas. Zīmējumi, kuri uzrādīti apkalpošanas instrukcijā kalpo tikai kā piemērs un var nedaudz atšķirties no iegādātās ierīces reālā izskata.

Šī instrukcija ir sargāta ar autortiesībām. Aizliegts to kopēt/pavairot bez PROFIX SIA rakstiskas atļaujas.

**PŘED ZAHÁJENÍM POUŽÍVÁNÍ SE SEZNAMTE S TÍMTO NÁVODEM.**

Uchovávejte návod pro případné další použití.



POZOR! Přečtěte si všechny výstrahy týkající se bezpečnosti používání označené symbolem  a veškeré pokyny týkající se bezpečnosti používání.

Nedodržování uvedených bezpečnostních výstrah a bezpečnostních pokynů může být příčinou zásahu elektrickým proudem, požáru a/nebo závažných úrazů.

Uchovejte výstrahy a pokyny týkající se bezpečnosti pro případné použití v budoucnosti.

V níže uváděných výstrahách pojem „elektronářadí“ znamená elektronářadí napájené z elektrické sítě (elektrickým vodičem) nebo elektronářadí napájené baterii (bezdrátové).



VÝSTRAHA! Všeobecné výstrahy týkající se bezpečného používání náradí.

Bezpečnost na pracovišti:

- a) **Udržujte na pracovišti pořádek a zajistěte zde dobré osvětlení.** Nepořádek a špatné osvětlení často zapříčiňují nehody.
- b) **Nepoužívejte elektronářadí ve výbušném prostředí tvořeném hořlavými tekutinami, plyny nebo**

prachem. Elektronářadí vytváří jiskry, které by mohly zapálit prach nebo výpary.

- c) **Nepouštějte děti ani jiné pozorovatele na místa, kde se používá elektronářadí.** Rušení pozornosti může způsobit ztrátu kontroly nad elektronářadím.



VÝSTRAHA! Všeobecné výstrahy týkající se bezpečného používání náradí.

Elektrická bezpečnost:

- a) **Zástrčky náradí musí odpovídat zásuvkám.** Nikdy žádným způsobem nepředělávejte zástrčky. V případě elektronářadí, které má vodič s ochranným uzemněním, nepoužívejte žádné prodlužovačky. Původní nepředělávané zástrčky a zásuvky snižují riziko zásahu elektrickým proudem.
- b) **Vyvarujte se dotýkání uzemněných ploch nebo takových, které jsou spojené s hmotou, jako jsou trubky, ohříváče, radiátory ústředního topení a chladničky.** V případě dotýkání takových ploch a předmětů roste riziko zásahu elektrickým proudem.
- c) **Nevystavujte elektronářadí na působení deště nebo vlhka.** Pokud by se do elektronářadí dostala voda, roste riziko zásahu elektrickým proudem.
- d) **Kabely se nesmí žádným způsobem namáhat.** Nikdy nepoužívejte kabel k

nošení, tažení elektronářadí nebo k vytahování zástrčky ze zásuvky. Kabel musí být umístěn daleko od zdrojů tepla, oleje, ostrých hran nebo pohyblivých částí. *Poškozené nebo propletené kabely zvyšují riziko zásahu elektrickým proudem.*

- e) **V případě, že se elektronářadí používá venku, je třeba prodlužovat elektrické kabely prodlužovači určenými na práci venku. Používání prodlužovače určeného do venkovního prostředí snižuje riziko zásahu elektrickým proudem.**
- f) **Doporučuje se připojení zařízení k elektrické síti vybavené proudovým chráničem (RCD) s vypínacím proudem 30mA nebo menším.**
- g) **Pokud je nezbytné použití elektronářadí ve vlhkém prostředí, je třeba použít jako ochranu proudový chránič (RCD). Použití RCD snižuje riziko zásahu elektrickým proudem.**



VÝSTRAHA! Všeobecné výstrahy týkající se bezpečného používání nářadí.

Osobní bezpečnost:

- a) **Toto zařízení nesmí používat osoby (včetně dětí) s omezenou fyzickou, smyslovou nebo psychickou schopností, nebo osoby, které nemají odpovídající zkušenosti nebo znalosti zařízení, leda že je používají s příslušným dozorem, nebo v souladu s návodem na používání zařízení,**

který jim předají osoby zodpovědné za jejich bezpečnost.

- b) **Při používání elektronářadí je třeba být předvídavý, pozorovat, co se děje, a používat zdravý rozum. Nepoužívejte elektronářadí, pokud jste unavení nebo pod vlivem drog, alkoholu nebo léků. Chvilé nepozornosti při práci s elektronářadím může způsobit závažné osobní úrazy.**
- c) **Je třeba používat osobní ochranné prostředky. Je třeba vždy používat ochranné brýle. Používání v příslušných podmínkách takových ochranných prostředků, jako je protiprachová respirační maska, protiskluzová obuv, přilba nebo chrániče sluchu, sníží nebezpečí osobních úrazů.**
- d) **Je třeba se vyhnout neplánovaného spuštění. Před připojením k elektrickému zdroji a/nebo před zapojením baterie a než se nářadí zvedne, nebo přenese, je třeba se ujistit, že je vypínač elektronářadí v poloze vypnuto. Přenášení elektronářadí s prstem na vypínači nebo připojení elektronářadí do sítě se zapojeným vypínačem může být příčinou nehody.**
- e) **Před spuštěním elektronářadí je třeba odstranit všechny klíče. Ponechání klíče v otáčející se části elektronářadí může způsobit poranění.**
- f) **Je zakázáno příliš se naklánět. Po celou dobu musíte stát pevně a udržovat rovnováhu. Umožní Vám to**

dobře kontrolovat elektronářadí při nepředvídatelných situacích.

g) Je třeba mít vhodné oblečení. Při práci nenoste volné oblečení ani bižuterii. Je třeba zajistit, aby Vaše vlasy, oblečení a rukavice byly v bezpečné vzdálenosti od pohyblivých částí. Volné oblečení, bižuterie nebo dlouhé vlasy se mohou zachytit do pohyblivých částí.

h) Pokud je zařízení přizpůsobeno na napojení k vnějšímu odsávání prachu a pohlcovači prachu, ujistěte se, že jsou připojeny a řádně se používají. Použitím pohlcovačů prachu můžete omezit nebezpečí závislé na prašnosti.

i) Nedovolte, aby vaše znalosti získané častým používáním elektronářadí způsobily, že se budete cítit sebejistě a začnete ignorovat bezpečnostní pravidla. Neopatrnost při činnosti může způsobit vzlomku sekundy závažný úraz.



VÝSTRAHA! Všeobecné výstrahy týkající se bezpečného používání nářadí.

Používání elektronářadí a péče o ně:

a) Elektronářadí se nesmí přetěžovat. Je třeba používat elektronářadí s výkonem vhodným pro provádění určité práce. Správné elektronářadí umožní lepší a bezpečnější práci se zátěží, na kterou bylo naprojektováno.

b) Elektronářadí, u kterého nefunguje spínač, se nesmí používat. Každé elektronářadí, které nelze zapínat nebo

vypínat spínačem, je nebezpečné a je třeba je opravit.

c) Před provedením každého seřízení, výměny součástky nebo před skladováním odpojte zástrčku elektronářadí od zdroje elektrického proudu a/nebo odpojte baterii. Takový bezpečnostní postup omezuje riziko náhodného spuštění elektronářadí.

d) Nepoužívané elektronářadí uchovávejte mimo dosah dětí a nedovolte přístup osobám, které nejsou obeznámené s elektronářadím nebo s tímto návodem na používání elektronářadí. Elektronářadí může být nebezpečné v rukách nevyškolených uživatelů.

e) Elektronářadí je třeba udržovat. Je třeba kontrolovat souosost nebo zaseknutí pohyblivých částí, praskliny součásti a veškeré další faktory, které by mohly ovlivnit činnost elektronářadí. Pokud zjistíte poškození, musíte elektronářadí před použitím opravit. Příčinou mnohých nehod je neodborná údržba elektronářadí.

f) Řezací nástroje musí být ostré a čisté. Řádná údržba ostrých hran řezacích nástrojů snižuje pravděpodobnost zaseknutí a usnadňuje obsluhu.

g) Elektronářadí, vybavení, pracovní nástroje apod. používejte v souladu s tímto návodem, při čemž zohledňujte

pracovní podmínky a druh prováděné práce. *Používání jiným způsobem, pro který není elektronářadí určeno, může způsobit nebezpečné situace.*

- h) **V nízkých teplotách, nebo pokud se nářadí po delší dobu nepoužívá, doporučuje se zapnout elektronářadí bez zátěže po dobu několika minut za účelem řádného promazání mechanismu pohonu.**
- i) **K čištění elektronářadí používejte měkký, vlhký (ne mokrý) hadřík a mýdlo. Nepoužívejte benzín, rozpouštědla a další prostředky, které by mohly poškodit zařízení.**
- j) **Elektronářadí je třeba skladovat / dopravovat až potom, co se ujistíte, že jsou veškeré jeho pohyblivé součásti zablokované a zajištěné proti odblokování s použitím původních součástí určených k tomuto účelu.**
- k) **Elektronářadí skladujte na suchém místě chráněném proti prachu a průniku vlhkosti.**
- l) **Doprava elektronářadí by měla probíhat v původním obalu tak, aby bylo chráněné proti mechanickému použití.**
- m) **Držáky a plochy uchopení udržujte čisté, nezamaštěné olejem a mazivem. Kluzké držáky a plochy uchopení neumožňují bezpečné držení nářadí a jeho plnou kontrolu v nečekaných situacích.**



VÝSTRAHA! Všeobecné výstrahy týkající se bezpečného používání nářadí.

Oprava:

- a) **Záruční a pozáruční opravy svého elektronářadí provádí Servis PROFIX, což zaručuje nejvyšší kvalitu oprav a používání původní náhradních dílů.**



UPOZORNĚNÍ! OPALOVACÍ PISTOLE, další upozornění týkající se bezpečnosti–

Bezpečnost na pracovišti:

- a) **Je nutné pracovat v dobře větrané místnosti.** *Plyny a výpary, které vznikají během práce, jsou často zdraví škodlivé.)*
- b) **Nepozorností při používání nářadí můžete způsobit požár, proto:**
 - *dodržujte opatrnost při práci se zařízením na místech, na kterých se mohou nacházet hořlavé materiály;*
 - *nesměřujte proud horkého vzduchu na stejné místo po delší dobu;*
 - *nepoužívejte ve výbušném ovzduší;*
 - *pamatujte na to, že teplo se může přenášet na hořlavé materiály, které jsou mimo Váš zorný úhel;*
 - *po použití nářadí jej umístěte na podstavci a ponechte před uskladněním stát, až zcela vychladne;*
 - *nenechávejte zapnuté nářadí bez dozoru.*
- c) **Je zakázáno směřovat trysku s vytékajícím horkým proudem vzduchu na jiné osoby, zvířata a**

esměru hořlavých látek.

Elektrická bezpečnost:

- a) **Nepoužívejte pistoli během deště nebo v podmínkách zvýšené vlhkosti.**

Může to způsobit zranění nebo ohrozit váš život, z důvodu zasažení elektrickým proudem.

- b) **Při použití opalovacího pistole venku je třeba používat zařízení s proudovým chráničem (RCD). Použití RCD snižuje riziko zasažení elektrickým proudem**

- c) **Před každým spuštěním zkontrolujte zařízení, přívodový kabel i zástrčku. V případě, že zjistíte jakékoliv poškození, okamžitě přerušte práci a zařízení předejte k opravě do oprávněného servisního místa (adresa je uvedena v záručním listu).**

Pokračování v práci s poškozeným strojem může ohrozit vaše zdraví nebo život. Nikdy sami neotvírejte pistoli!

- d) **Nevkládejte do trysky žádné předměty. Můžete tím způsobit poškození pistole a zásah elektrickým proudem.**

- e) **Elektrický kabel držte vždy ze zadní stranypistole.**

- f) **Je zakázáno směřovat horký vzduch na přívodní elektrický kabel nebo dotýkat se jej horkou tryskou. Můžete tím roztavit izolaci a být zasaženi elektrickým proudem.**

- g) **Nepřenášejte ani nezavěšujte zařízení za přívodný kabel.**

- h) **Je zakázané používat elektrické zařízení s poškozeným přívodným kabelem. Je zakázané dotýkat se poškozeného kabelu; v případě, že se poškodí během práce, je třeba ihned vytáhnout zástrčku ze zásuvky. Poškozené přívodné kabely zvyšují riziko zasažení el. proudem.**



VAROVÁNÍ!

Pokud se poničí neodpojitelný přívodný kabel, je třeba se vystříhat ohrožení, a proto nutné jej nechat vyměnit u výrobce nebo v oprávněné opravně, nebo oprávněnou osobou.

Osobní bezpečnost:

- a) **Během opracování plastů, barev, laků a podobných látek se mohou uvolňovat hořlavé a toxické plyny. Pistol nepoužívejte poblíž hořlavých plynů nebo látek.**

- b) **Pro ochranu před výpady používejte speciální masku, která chrání před vdechnutím drobného prachu a výparů z olovených barev; dbejte také na bezpečí jiných osob, které se mohou nacházet poblíž vašeho pracoviště.**

- c) **Nebezpečí popálení! Nikdy se nedotýkejte horké trysky. Vždy používejte ochranné rukavice.**

- d) **Při zapnutém stroji nikdy nenakukujte do trysky.**

- e) **Během práce vždy používejte ochranné brýle.**

- f) **Nepoužívejte stroj jako fén na vlasy!**

Teplota vzduchu z opalovací pistole značně převyšuje teplotu vzduchu zfénu.

Používání elektronářadí a péče o ně:

- a) **Chraňte opalovací pistol před úderu nebo poškozením povrchu ostrými předměty.**
- b) **Před začátkem používání pistole nejdříve zkontrolujte přívod a vývod vzduchu a případně odstraňte předměty, které by mohly volný průtok vzduchu blokovat.**
- c) **Nespalujte barvu, může to vést ke vzniku požáru. Dávejte pozor, aby se barva nepřilepila na trysku, mohla by se časem vznítit.**
- d) **Nezakrývejte šterbiny pro přívod vzduchu ani ústí trysky, může to vést k nadměrnému zahřátí a poškození pistole. Ústí trysky nepřibližujte k opalovanému předmětu blíže než na 5 cm.**
- e) **Během práce a bezprostředně po ní neopírejte trysku o žádné předměty. Nepokládejte opalovací pistol na boku. Pokud stroj odkládáte, měl by být vždy postaven visle.**
- f) **Během přestávek při práci, pokud pistol nepoužíváte, a také před začátkem jakýchkoliv úkonů na pistolu (např. kontrola, čištění, nastavení) vždy vytáhněte zástrčku ze zásuvky.**
- g) **Nikdy nedovolte, aby opalovací pistol používaly děti.**

STAVBA A URČENÍ OPALOVACÍHO PISTOLE:

Opalovací pistol je ruční elektronářadí. Má malé rozměry, ergonomicky

tvar, nízkou hladinu hluku, velkou rychlost vypouštěného vzduchu, třístupňová nastavení teploty práce.

Nástroj je určen na odstraňování nátěrů, formování a svařování umělých hmot, smršťování termo smršťitelných fólií. Pistol je možné také použít na změkčování lepidla a zahřívání zamrzlého vodovodního potrubí.

POZOR! Spotřebič není určen k provozu s použitím vnějších časových vypínačů nebo zvláštního systému dálkového ovládání.

Nepoužívejte pistol na práce, u nichž je nutné použití profesionálních nástrojů. Každé použití opalovacího pistole jinak, než je uvedeno výše, je zakázáno a způsobí ztrátu záruky, výrobce také nebude zodpovědný za škody vzniklé nesprávným zacházením.

Jakékoliv změny, provedené na zařízení uživatelem, taktéž ruší povinnost výrobce nést zodpovědnost za poškození a škody, způsobené uživateli a okolí.

Přes používání v souladu s určením nelze zcela odstranit určité faktory zbytkového rizika. Vzhledem na konstrukci a stavbu stroje se mohou vyskytnout následující ohrožení:

- Úrazy způsobené dotekem horkých částí zařízení;
- Odmrštění obráběného předmětu nebo jeho části.

■ Kompletace

- Opalovací pistole - 1 ks.
- Návod na obsluhu - 1 szt.
- Záruční list - 1 ks.

■ Prvky pistole (viz obr.: A):

Číselné označení prvků opalovacího pistole se týká grafického znázornění, které se nachází na 2 straně návodu k použití:

1. Výstupní tryska
2. Vypínač / Přepínač pracovního režimu
3. Kabel napájení

TECHNICKÉ ÚDAJE:

Jmenovité napětí	220-240 V	
Jmenovitý kmitočet	50/60 Hz	
Odebíraný výkon	1800W	
Pracovní teplota/ Průtok vzduchu	režim I	50°C / 250 l/min
	režim II	400°C / 250 l/min
	režim III	600°C / 500 l/min
Třída zařízení	II	
Hmotnost	0,75 kg	

■ Informace ohledně hluku

Naměřená hladina akustického tlaku je nižší než 70 dB (A).

PŘED ZAČÁTKEM PRÁCE:

1. Ujistěte se, že zdroj el. energie, do něž chcete pistol zapojit, svými parametry odpovídá parametřům vyznačeným na výrobním štítku stroje.
2. Ujistěte se, že hlavní vypínač je v poloze „vypnuto“. Pokud by byl v poloze „zapnuto“ během zapojování do sítě, může dojít k vážnému zranění, protože pistol okamžitě začne pracovat.
3. V případech, kdy je pracoviště vzdálené od zásuvky, je možné použít prodlužovačku s odpovídajícím průměrem, přizpůsobeným velikosti

odebírané elektrické energie. Doporučujeme použití co nejkratších prodlužovacích šňůr. Prodlužovací šňůra by měla být zcela rozvinutá.

BĚHEM PRÁCE:

■ Zapínání/Vypínání

- Pro zapnutí zařízení nastavte vypínač/přepínač pracovního režimu (2) do polohy I, II nebo III.
- Pro vypnutí zařízení přesuňte vypínač/přepínač pracovního režimu (2) do nejvyšší polohy 0.

■ Volba druhu provozu

Vypínač/přepínač pracovního režimu (2) může být nastavený v jedné ze třech pracovních poloh (viz obr. A).

Vhodný proud vzduchu a teplotu lze nastavit podle tabulky:

Pracovní režim I	250 l/min - 50°C
Pracovní režim II	250 l/min - 400°C
Pracovní režim III	500 l/min - 600°C

Poloha I je použitelná pro ochlazení zahřátého předmětu, který opracováváte, nebo k sušení barvy. Může se také použít pro ochlazení pistole před ukončením práce nebo výměnou trysek (nejsou v této soupravě).

POZOR: Při přepínání teploty z vyšší na nižší je nutná určitá doba na zchlazení opalovacího zařízení.

PRACOVNÍ POKYNY:



POZOR! Během práce se vyvarujte kolmému nastavení opalovací pistole vůči opalovanému povrchu. Způsobuje to odrazení proudu horkého vzduchu od povrchu a zpětně vtáhnutí do rotoru. Teplota uvnitř motoru se velmi zvýší a opalovací pistole se může poškodit. Pistole je třeba nastavit v úhlu cca 45° vůči opalovanému povrchu.

Vzdálenost trysky od zpracovávaného předmětu se určuje podle materiálu tohoto předmětu, ale nemůže být menší než 5 cm.

Před vypnutím nářadí je třeba na více než deset vteřin nastavit pracovní režim na nejnižší teplotu a maximálně zvýšit průtok vzduchu za účelem zchlazení topného prvku. Zvyšuje to trvanlivost nářadí.

■ Odložení nástroje

Za účelem zchlazení rozehrátého zařízení, nebo pokud chcete uvolnit obě ruce na práci, postavte opalovací pistoli svisle na vodorovný povrch (viz: obr. B).

POZOR: Při pracích s odloženou pistolí je třeba být obzvláště pozorní! Je zde nebezpečí, že se uživatel spálí o horkou trysku nebo horkým proudem vzduchu.

OBSLUHA A ÚDRŽBA:

1. Opalovací pistole udržujte čistou, aby měla zajištěný volný průtok vzduchu.
2. Chraňte opalovací pistole před kontaktem s vodou a vniknutím prachu a jiných drobných částic dovnitř nástroje.
3. Plastový kryt pistole nečistěte chemickými čističi. Používejte lehce vlhký hadřík a mýdlo. Opalovací pistole je možné znovu použít teprve po jejím uschnutí na vzduchu.
4. Pravidelně kontrolujte technický stav elektrického kabelu, pokud objevíte poškození, je třeba kabel okamžitě vyměnit.
5. V případě výskytu technických problémů kontaktujte prosím servis. Adresy autorizovaných servisů jsou uvedeny v záručním listu.

VÝROBCE:

PROFIX s.r.o.
ul. Marywilska 34,
03-228 Varšava, Polsko

OCHRANA ŽIVOTNÍHO PROSTŘEDÍ:



POZOR: Zobrazený symbol znamená zákaz likvidace zařízení dohromady s jinými odpady (na porušení zákazu se vztahuje pokuta). Nebezpečné složky, které se nacházejí v elektrickém a elektrotechnickém vybavení mají negativní vliv na životní prostředí a lidské zdraví.

Domácnosti by se měly zapojit do získávání zpět a opětovného využívání (recyklace) starých elektrospotřebičů. V Polsku a v Evropě se tvoří nebo už existuje systém sběru elektroodpadu, v rámci kterého mají všechna prodejní místa elektrospotřebičů povinnost přijímat elektroodpad. Kromě toho existují sběrná místa pro elektroodpad.



Politika firmy PROFIX je politikou průběžného zdokonalování výrobků, z toho důvodu si firma vyhrazuje právo změnit specifikaci výrobku bez předchozího informování. Obrázky, uvedené v návodu na obsluhu, jsou pouze příklady a mohou se lišit od skutečného vzhledu zakoupeného zařízení.

Tento návod je chráněný autorským zákonem. Jeho kopírování / rozmnožování bez písemného souhlasu společnosti PROFIX s.r.o. je zakázané.

**PRIEŠ RADEKANT DARBĄ
SUSIPAŽINKITE SU INSTRUKCIJA.**

Išsaugokite instrukciją, nes gali būti reikalinga vėliau.



ĮSPĖJIMAS! Prašome perskaityti visus įspėjimus dėl saugaus naudojimo pažymėtus simboliais ⚠ bei visas nuorodas dėl saugaus naudojimo.

Žemiau pateikiamų įspėjimų dėl saugos bei saugos nuorodų nesilaikymas gali būti elektros smūgio, gaisro ir/arba sunkių kūno sužalojimų priežastimi.

Išsaugokite visus įspėjimus ir visas saugos nuorodas, kad vėliau būtų galima jais pasinaudoti.

Žemiau pateiktuose įspėjimuose sąvoka „elektros prietaisas“ apibudina elektros prietaisą maitinamą elektros energija iš elektros tinklo (maitinimo laidas) arba elektros prietaisą maitinamą akumuliatoriumi (belaidis).



ĮSPĖJIMAS! Bendri įspėjimai dėl saugaus įrankio naudojimo.

Sauga darbo vietoje:

- a) Darbo vietoje turi būti švaru, tvarkinga bei geras apšvietimas. *Netvarka bei netinkamas darbo vietos apšvietimas gali būti nelaimingų atsitikimų priežastimi.*
- b) Nenaudoti elektros prietaiso sprogioje aplinkoje, kurioje yra degūs skysčiai, degios dujos arba dulkės. *Elektros prietaiso darbo metu susidaro*

elektros kibirkštis, todėl gali užsidegti esantis aplinkoje garai.

- c) Darbo vietoje negali būti vaikai bei pašaliniai. *Dėmesio nukreipimas gali būti elektros prietaiso valdymo praradimo priežastimi.*



ĮSPĖJIMAS! Bendri įspėjimai dėl saugaus įrankio naudojimo.

Elektros sauga:

- a) Elektros prietaisų kištukai turi atitikti elektros lizdo tipui. Jokiu būdu negalima keisti kištuko. Jeigu elektros prietaisas turi įžeminimą, negalima naudoti ilgintuvo. *Originalių kištukų bei lizdų naudojimas sumažina elektros smūgio riziką.*
- b) Venkite kūno kontakto su įžemintais paviršiais, tokias kaip vamzdžiai, šildytuvai, centrinio šildymo radiatoriai bei šaldytuvais. *Kontaktas su įžemintais paviršiais didina elektros smūgio pavojų.*
- c) Saugokite prietaisą nuo lietaus ir drėgmės. *Jeigu vanduo patenka į elektros prietaisą, padidėja elektros smūgio rizika.*
- d) Nenaudokite laidų ne pagal paskirtį. Neneškite įrenginio paėmę už laido, netraukite už jo norėdami išjungti kištuką iš elektros lizdo. Laidą klokite taip, kad jo neveiktų karštis, jis neišsitemtų alyva ir jo nepažeistų aštrios detalės ar judančios prietaiso

dalys. Pažeistas laidas gali tapti elektros smūgio priežastimi.

e) **Jeigu elektros prietaisais yra naudojamas lauke, laido prailginimui naudokite tik specialiai tam skirtus prailgintuvus.** Prailgintuvų skirtų darbui lauke naudojimas sumažina elektros smūgioriziką.

f) **Įrankį rekomenduojama jungti į elektros maitinimo tinklą, turintį likutinės srovės įrenginį (RCD), kurio išjungimo srovė yra 30 mA arba mažesnė.**

g) **Jeigu negalima išvengti elektros prietaiso naudojimo drėgnoje aplinkoje, naudokite RCD įrenginį.** RCD įrenginio naudojimas sumažina elektros smūgioriziką.



ĮSPĖJIMAS! Bendri įspėjimai dėl saugaus įrankio naudojimo.

Žmonių sauga:

a) **Prietaisu negali naudotis asmenys (tame tarpe vaikai) turintis fizinius, jutimo arba psichinius negalavimus, taip pat asmenys neturintis darbo patirties arba nesusipažinę su prietaisu, nebent toks darbas vyksta stebint specialistui arba pagal prietaiso naudojimo instrukciją, kurį buvo perduota asmeniu atsakingu už saugą.**

b) **Būkite atidūs, sutelkite dėmesį į tai, ką Jūs darote ir, dirbdami su elektros prietaisu, vadovaukitės sveiku protu. Nedirbkite su prietaisu, jei esate**

pavargę arba vartojote narkotikus, alkoholį ar medikamentus. Akimirksnio neatidumas naudojant prietaisą gali tapti rimtų sužalojimų priežastimi.

c) **Dėvėkite tinkamą aprangą. Nešiokite apsauginius akinius.** Apsauginės aprangos, tokios kaip dulkių kaukė, neslystantis apsauginiai batai, šalmas, asinės, naudojimas sumažina sužalojimų grėsmę.

d) **Saugokitės, kad neįjungtumėte prietaiso atsitiktinai. Prieš įjungiant kištuką į elektros lizdą ir/arba prieš akumulatoriaus įjungimą bei prieš paimant arba pernešant prietaisą įsitikinkite, kad prietaisais yra išjungtas.** Prietaiso pernešimas su pirštu ant jungiklio arba prietaiso įjungimas į maitinimo tinklą gali tapti nelaimingo atsitikimo priežastimi.

e) **Prieš įjungdami prietaisą pašalinkite raktus.** Prietaiso besisukančioje dalyje esantis įrankis ar raktas gali tapti sužalojimų priežastimi.

f) **Nepasilenkite pernelyg į priekį. Dirbdami atsistokite patikimai ir visada išlaikykite pusiausvyrą.** Patikima stovėseną ir tinkamą kūno laikyseną leis geriau kontroliuoti prietaisą netikėtose situacijose.

g) **Dėvėkite tinkamą aprangą. Nedėvėkite plačių drabužių ir papuošalų. Saugokite plaukus, drabužius ir pirštines nuo**

besisukančių prietaiso dalių. *Laisvus drabužius, papuošalus bei ilgus plaukus gali įtraukti besisukančios prietaiso dalys.*

h) Jeigu įrenginiai yra pritaikyti prijungimui prie dulkių nusiurbimo ir dulkių surinkėjo, įsitikinkite, kad šie įrenginiai tinkamai prijungti ir panaudoti pagal paskirtį. *Dulkių surinkėjų panaudojimas sumažina dulkių poveikio pasekmes.*

i) Elektros įrankių naudojimo įgūdžiai, įgyti dažno jų naudojimo metu, negali per daug padidinti Jūsų pasitikėjimo savimi ir leisti nesilaikyti saugos taisyklių. *Neatsargiai naudojantis elektros įrankiais, galima rimtai susižeisti per kelias sekundes.*



ĮSPĖJIMAS! Bendri įspėjimai dėl saugaus įrankio naudojimo.

Rūpestinga elektros prietaisų priežiūra ir naudojimas:

a) Neperkraukite prietaiso. Naudojamo prietaiso galingumas turi atitikti atliekamam darbui. *Tinkamai parinktas elektros prietaisas leis atlikti darbą gerai ir saugiai.*

b) Nenaudokite elektros prietaiso su sugedusiu jungikliu. *Elektros prietaisas, kurio nebegalima įjungti ar išjungti, yra pavojingas ir jį reikia remontuoti.*

c) Prieš reguliuodami prietaisą, keisdami darbo įrankius arba prieš sandėliavimą ištraukite kištuką iš elektros lizdo ir/arba atjunkite akumuliatorių. *Ši saugumo priemonė*

apsaugos jus nuo netikėto prietaiso įsijungimo.

d) Nenaudojamą prietaisą sandėliuokite vaikams ir nemokantiems juo naudotis arba nesusipažinusiems su instrukcija asmenims neprieinamoje vietoje. *Elektriniai įrankiai yra pavojingi, kai juos naudoja nepatyrę asmenys.*

e) Rūpestingai prižiūrėkite prietaisą. Patikrinkite, ar besisukančios prietaiso dalys tinkamai veikia ir niekur nekliūva, ar nėra sulūžusių ar šiaip pažeistų dalių, kurios įtakotų elektros prietaiso veikimą. Jeigu yra gedimai suremontuokite prietaisą. *Daugelio nelaimingų atsitikimų priežastis yra blogai prižiūrimi elektros prietaisai.*

f) Pjovimo įrankiai turi būti aštrūs ir švarūs. Rūpestingai prižiūrėti elektros prietaisai su aštriais pjovimo įrankiais yra lengviau valdomi ir juos geriau kontroliuoti.

g) Elektros prietaisą, papildomus įrankius, darbo įrankius ir t.t. naudokite tik pagal instrukciją, turėdami omeny darbo sąlygas bei atliekamo darbo pobūdį. *Elektros prietaiso naudojimas ne pagal paskirtį gali sukelti pavojingas situacijas.*

h) Jeigu prietaisas nebuvo naudojamas ilgesnį laiką arba yra naudojamas žemos temperatūros sąlygose, įjunkite jį kelioms minutėms be apkrovos tam, kad tepalas tinkamai pasiskirstytų pavaros mechanizme.

i) Elektros prietaisus valykite minkštu, drėgnu (ne šlapiu) skuduru ir muilu. Nenaudokite benzino, tirpiklių bei kitų priemonių galinčių pažeisti prietaisą.

j) Elektros prietaisą laikykite/transportuokite tik po to, kai įsitikinsite, kad jo visos besisukančios dalys yra užblokuotos ir saugomos originaliomis, specialiai tam skirtomis detalėmis.

k) Elektros prietaisą laikykite sausoje, apsaugotoje nuo dulkių bei drėgmės vietoje.

l) Elektros prietaisą transportuokite originalioje pakuotėje, saugančioje nuo mechaninių pažeidimų.

m) Rankenos ir kiti įrankio laikymo paviršiai turi būti švarūs, nealiejuoti ir netepaluoti. Jeigu rankenos ir kiti įrankio laikymo paviršiai yra slidūs, netikėtose situacijose negalėsite įrankio saugiai laikyti ir valdyti.



ĮSPĖJIMAS! Bendri įspėjimai dėl saugaus įrankio naudojimo.

Remontas:

a) Garantinį ir pogarantinį elektros įrankių remontą atlieka PROFIX servisas, todėl garantuojama aukščiausia remonto darbų kokybė bei originalios atsarginės dalys.



ĮSPĖJIMAS! KARŠTO ORO PŪSTUVAS, papildomi saugos reikalavimai –

Sauga darbo vietoje:

a) **Patalpa, kurioje atliekamas darbas, turi būti gerai vėdinama.** Darbo metu susidaranti kenksmingos dujos ir garai gali būti pavojingos sveikatai.

b) **Nedirbkite su prietaisu netoli degių medžiagų arba užsiliepsnojančių dujų.**

Aukšta įrankio temperatūra (pvz. dėl neatsargumo) gali sukelti gaisrą arba sproginimą! Atkreipkite dėmesį į tai, kad šiluma gali būti perduodama degioms medžiagoms, kurios yra Jūsų regėjimo lauke.

c) **Draudžiama nukreipti karšto oro srovę į žmones ar gyvūnus, bei į degias medžiagas.**

Elektros sauga:

a) **Nesinaudokite prietaisu lietaus metu arba didelės drėgmės sąlygomis.** Tai gali būti sužalojimo priežastimi, sukelia pavojų gyvybei bei elektros smūgio pavojų.

b) **Naudojant prietaisą lauke, naudokite srovės kontrolės relę (RCD).** RCD naudojimas mažina elektros smūgio pavojus.

c) **Kiekvieną kartą prieš pradėdami dirbti su prietaisu patikrinkite jo maitinimo laidą ir kištuką.** Jei pastebėjote gėdimą, nedelsdami kreipkitės į įgaliotą techninio aptarnavimo centrą (adresas yra nurodytas garantiniame lape). Darbas su pažeistu prietaisu sukelia pavojų

sveikatai arba gyvybei. Niekada nebandykite atidaryti prietaiso.

d) Nedėkite jokių daiktų į prietaiso tūtą.

Galite sugadinti prietaisą ir sukelti elektros smūgį.

e) Maitinimo laidas visada turi būti už prietaiso.

f) Draudžiama nukreipti karšto oro srovę į maitinimo laidą ir liesti maitinimo laido karštą tūtą. *Tai gali išlydyti elektros laido izoliaciją ir sukelti elektros smūgį.*

g) Nekelkite prietaiso už maitinimo laido bei nekabinkite prietaiso už jo.

h) Draudžiama naudotis prietaisu, jeigu jo maitinimo laidas yra pažeistas. Jeigu laidas yra pažeistas, jokių būdu neleskite jo; jeigu laidas yra pažeidžiamas darbo metu, iš karto ištraukite jo kištuką iš elektros lizdo. *Pažeistas maitinimo laidas gali būti elektros smūgio priežastimi.*



ĮSPĖJIMAS!

Jeigu sugedo elektros prietaiso laidas, jį pakeisti galima pas gamintoją, specializuotame remonto punkte arba gali tai atlikti specialistas tam, kad išvengtumėte pavojaus.

Žmonių sauga:

a) Apdirbant plastiką, dažus, lakuotus paviršius ir panašias medžiagas gali susidaryti degios bei nuodingos dujos. Nesinaudokite prietaisu arti

degių dujų arba kitų degių medžiagų.

b) Naudokite apsauginę kaukę bei pasirūpinkite kitų asmenų, esančių darbo vietoje, saugumu.

c) Nusideginimo pavojus! Niekuomet nelieskite karštos tūtos. Visada naudokite apsaugines pirštines.

d) Netgi jei prietaisas išjungtas, nežiūrėkite į tūtą.

e) Darbo metu visada dėvėkite apsauginius akinius.

f) Jokių būdu nenaudokite prietaiso plaukų džiovinimui! Prietaiso oro srovės temperatūra yra daug aukštesnė nei plaukų džiovintuvo.

Rūpestinga elektros prietaisų priežiūra ir naudojimas:

a) Saugokite prietaisą nuo smūgių ir aštrių daiktų.

b) Niekuomet nepalikite įjungto prietaiso be priežiūros.

c) Prieš pradėdami darbą visada patikrinkite prietaiso oro išėjimo ir įėjimo angas bei pašalinkite elementus, kurie galėtų stabdyti oro srovę.

d) Nenukreipkite prietaiso į vieną vietą ilgą laiką.

e) Nedeginkite dažų, nes tai gali sukelti gaisrą. Stebėkite, kad dažai nepriliptų prie tūtos, nes po tam tikro laiko gali užsidegti.

f) Negalima uždengti prietaiso įėjimo/ išėjimo angų bei tūtos, nes tai gali būti temperatūros augimo

priežastimi bei gali pažeisti prietaisą.

Prietaiso tūta negali būti arčiau nei 5 cm nuo apdorojamo paviršiaus.

g) Darbo metu ir iš karto po to, kai darbas baigiamas, nedėkite tūtos ant kokių nors daiktų. Negalima padėti tūtos ant šono. Prietaisą visada padėkite vertikaliajose padėtyje ant vielinio stovo (3).

h) Pertraukų metu, kai prietaisas nenaudojamas, bei prieš pradėdant priežiūros darbus (pvz. priežiūra, valymas, reguliavimas) ištraukite kištuką iš elektros lizdo.

i) Užbaigus darbą padėkite prietaisą, jo tūta turi būti nukreipta į viršų. Prietaisą padėti galima tik po to, kai jo tūta atvėso. Niekada nelieskite tūtos iš karto po išjungimo, nes tai gali būti rimtų nudegimų priežastimi.

j) Jokiū būdu prietaisu negali naudotis vaikai.

KARŠTO ORO PŪSTUVOS SANDARA IR PASKIRTIS:

Karšto oro pūstuvai tai rankinis elektrinis įrankis. Tai įrankis turintis nedidelius matmenis bei pasižymintis ergonomišku dizainu, žemu triukšmo lygiu, oro srovės dideliu greičiu bei turintis trijų pakopų darbinės temperatūros reguliavimą.

Šis prietaisas skirtas šalinti dažams, formuoti ir suvirinti plastmasės, kaitinti šilumos poveikyje susitraukiančius izoliacinius vamzdelius. Prietaisas taip pat gali būti naudojamas klijuotinių sujungimų išskirimui bei užšalusių vandens vamzdžių atirpinimui.

DĖMESIO: Įranga nėra skirta darbui su išoriniais laiko išjungikliais arba atskira nuotolinio reguliavimo sistema.

Draudžiama naudoti įrankį profesionaliems darbams atlikti. Prietaiso naudojimas ne pagal paskirtį yra draudžiamas. Tokiu atveju prarandama garantija o gamintojas neatsako už patirtas dėl netinkamo prietaiso naudojimo žałas.

Bet kokios prietaiso modifikacijos padarytos naudotoju atleidžia gamintoją nuo atsakomybės už žałas patirtas tokiu atveju naudotoju bei aplinkiniams.

Net ir naudojant įrenginį pagal paskirtį, negalima panaikinti kai kurių rizikos veiksnių. Įrenginio konstrukcija gali kelti toliau nurodytą grėsmę:

- palietus karštas įrenginio dalis, galimi kūno sužeidimai;

- galimas ruošinio arba ruošinio dalies atmetimas.

■ Komplektavimas

- Karšto oro pūstuvai - 1 vnt.
- Naudojimo instrukcija - 1 vnt.
- Garantijos lapas - 1 vnt.

■ Prietaiso elementai (žiūrėk: pieš. A):

Prietaiso dalių numeracija atitinka grafinėms piešiniams 2 puslapyje naudojimo instrukcijos:

1. Tūta
2. Jungiklis / Darbo režimo jungiklis
3. Maitinimo laidas

TECHNINIAI DUOMENYS:

Nominalioji įtampa	220-240 V	
Nominalusis dažnis	50/60 Hz	
Sugerta galia	1800W	
Darbinė temperatūra/ Oro srovės greitis	režimas I	50°C / 250 l/min
	režimas II	400°C / 250 l/min
	režimas III	600°C / 500 l/min
Įrangos klasė	II	
Masė	0,75 kg	

■ Informacija apie triukšmo klasę

Išmatuotas prietaiso garso slėgio lygis yra mažesnis nei 70 dB(A).

PRIEŠ NAUDOJIMĄ:

1. Patikrinkite, ar elektros tinklo įtampa atitinka prietaiso firminėje lentelėje nurodytą įtampą.
2. Patikrinkite, ar pagrindinis jungiklis yra „išjungtas“ padėtyje. Situacijoje, kai kištukas yra elektros lizde, o pagrindinis jungiklis yra padėtyje „įjungtas“ gresia rimta avarija, nes prietaisas iš karto pradeda veikti.
3. Jei darbo vieta yra nutolusi nuo elektros lizdo, naudokite ilgutuvą, kurio laido skerspjūvis yra pritaikytas naudojamajai elektros srovei.

DARBO METU:

■ Įjungimas/ išjungimas

- Norėdami įjungti prietaisą jungiklį/darbo režimo jungiklį (2) pastumkite ties I, II arba III.
- Norėdami išjungti prietaisą jungiklį/darbo režimo jungiklį (2) paspauskite iki galo iki padėties „0“.

■ Darbo režimo pasirinkimas

Jungiklį/darbo režimo jungiklį (2) galima nustatyti trijose padėtyse (žiūrėk: pieš. A).

Tinkama oro srovė bei temperatūra nustatoma pagal lentelę:

Darbo režimas I	250 l/min - 50°C
Darbo režimas II	250 l/min - 400°C
Darbo režimas III	500 l/min - 600°C

Režimas I yra naudojamas ruošiniui atvėsinti arba dažams džiovinti. Gali būti naudojamas pačiam įrankiui atvėsinti po darbo aukštos temperatūros režimu prieš padėdant įrankį arba prieš keičiant tūtas

(neįeina į komplektą).

DĖMESIO: Perjungiant iš aukštesnės temperatūros iki žemesnės reikalingas tam tikras laikas, kad prietaisas atvėstų.

DARBO PATARIMAI:



DĖMESIO! Oro pūstuvo padėtyš darbo metu negali būti vertikali ruošinio paviršiaus atžvilgiu, nes karšto oro srautas „atsimuša“ nuo paviršiaus ir vėl yra įtraukiamas prietaisu. Tokiu atveju temperatūra prietaiso variklio viduje auga, o tai gali sukelti gedimą. Oro pūstuvą laikykite apie 45° kampu ruošinio paviršiaus atžvilgiu.

Atstumą tarp tūtos ir ruošinio būtina parinkti pagal medžiagos savybės, bet jis negali būti mažesnis nei 5 cm.

Prieš išjungdami oro pūstuvą, kelioms sekundėms būtina perjungti jį į mažesnės temperatūros režimą tam, kad atvėsinti prietaisą. Tai prailgina įrankio tarnavimo laiką.

■ Prietaiso padėjimas

Norėdami atvėsinti įrankį arba daryti ką nors abiem rankomis, oro pūstuvą pastatykite vertikaloje padėtyje lygiame paviršiuje (žiūrėk: pieš. B).

DĖMESIO: Būkite itin atsargūs atliekant darbus, kai prietaisas stovi stov! Yra nudegimų pavojus.

PRIEŽIŪRA IR VALYMAS:

1. Prietaisas turi būti švarus tam, kad užtikrinti gerą oro cirkuliaciją.
2. Saugokite prietaisą nuo vandens, dulkių, bei kitų smulkių elementų,

kurie galėtų patektį į vidų.

3. Plastikinio korpuso valymui nenaudokite cheminių valymo priemonių. Naudokite drėgną skudurėlį ir muilą. Prieš naudojimą prietaisas turi būti išdžiovinintas natūraliose sąlygose.
4. Reguliariai tikrinkite maitinimo laido būklę. Jei laidas pažeistas, būtina jį nedelsiant pakeisti.
5. Techninių problemų atveju susisiekite su techninio aptarnavimo centru.

GAMINTOJAS:

PROFIX Sp. z o.o.,

Marywilka 34,

03-228 Varšuva, Lenkija

APLINKOS APSAUGA:



DĖMESIO: Pateiktas simbolis reiškia, kad panaudotus prietaisus draudžiama išmesti kartu su kitomis atliekomis (už pažeidimą gresia piniginė bauda). Panaudoti elektros prietaisai bei elektroninės dalis ir komponentai turi neigiamą poveikį aplinkai ir žmonių sveikatai.

Namų ūkis turėtų prisidėti prie panaudotos įrangos utilizavimo bei pakartotino medžiagų panaudojimo (perdirbimo). Lenkijoje ir Europoje yra kuriama arba jau veikia panaudotos įrangos surinkimo sistema. Todėl visi paminėtos įrangos pardavimo taškai yra įpareigoti priimti panaudotą įrangą. Be to yra specialūs panaudotos įrangos priėmimo taškai.



PROFIX įmonė siekia tobulinti savo produktus, todėl gali keistis produktų specifikacijos. Apie šiuos pasikeitimus įmonė nėra įpareigota nepranešti. Paveikslėliai esantis aptarnavimo instrukcijoje tai tik pavyzdžiai bei gali skirtis nuo nusipirkto prietaiso.


Ši instrukcija yra apsaugojama autoriaus teise. Kopijavimas/plėtojimas be PROFIX Sp. z o.o. leidimo raštu draudžiamas.



HASZNÁLAT ELŐTT OLVASSA EL EZEKET AZ UTASÍTÁSOKAT!

Tartsa meg ezt az útmutatót későbbi tájékozódás céljából!



FIGYELEM! Olvassa el a  szimbólummal jelzett, a munkavédelemmel kapcsolatos összes figyelmeztetést és a biztonságos használatra vonatkozó összes utasítást!

A következő biztonsági előírások be nem tartása miatt baleset, áramütés, tűzveszély és/vagy komoly sérülés fordulhat elő

Őrizze meg az összes munkavédelmi figyelmeztetést és utasítást későbbi felhasználás céljából!

Az alábbi figyelmeztetések során használt „elektromos szerszám” kifejezés olyan szerszámot jelöl, melynek áramellátása hálózatról (tápkábellel) vagy akkumulátorral (kábel nélkül) történik.



FIGYELEM! Általános munkavédelmi szabályok:

Munkahelyi biztonság:

- Tartsa tisztán a munkaterületét és ügyeljen a jó megvilágításra!** A munkaterületén uralkodó rendetlenség balesetekhez vezethet.
- Ne dolgozzon elektromos szerszámmal robbanásveszélyes környezetben, gyulladásveszélyes folyadékok, gázok vagy folyadékok közelében.** Az elektromos szerszámok

használata során szikra keletkezhet, mely belobbanthatja a port és a gőzöket.

- Tartsa távol a gyermekeket attól a helytől, ahol használja az elektromos szerszámot.** A figyelemelterelés miatt elveszítheti kontrollját az elektromos szerszám felett.



FIGYELEM! A szerszám biztonságos használatával kapcsolatos általános szabályok:

Elektromos biztonság:

- Az elektromos szerszám csatlakozó dugója meg kell feleljen az aljzattal. Tilos a csatlakozó dugó módosítása! Tilos hosszabbítók használata a védőföldeléses kábellel ellátott elektromos szerszámok esetében!** A csatlakozó dugók és aljzatok módosítása növeli az áramütés kockázatát!
- Kerülje a testi érintkezést a földelt felületekkel vagy tárgyakkal, mint a csövek, fűtőtestek, fűtőradiátorok vagy hűtőszekrények!** A földelt részekkel való érintkezés esetén nő az áramütés kockázata!
- Ne tegye ki esőnek vagy nedves környezetnek az elektromos szerszámot!** Víz behatolása esetén nő az áramütés kockázata!
- Ne erőltesse a csatlakozó kábel! Ne használja a hálózati kábelt a szerszám mozgatására, húzására**

vagy a csatlakozó dugó aljzatból történő kihúzására. Tartsa távol a hálózati kábelt hőforrásoktól, olajtól, éles szélektől és mozgó alkatrészekről! *A sérült vagy összegabalyodott kábelek növelik az áramütés kockázatát!*

- e) Amennyiben az elektromos szerszámot a szabadban használja, a csatlakozást a szabadban történő használatra alkalmas kültéri hosszabbítókkal kell megoldani. *A szabadban történő használatra alkalmas hosszabbítók használata csökkenti az áramütés kockázatát.*
- f) A berendezést 30mA vagy kisebb kioldó áramú védőkapcsolós (RCD) elektromos hálózatra javasolt kapcsolni csatlakoztatni.
- g) Amennyiben az elektromos szerszámot nedves környezetben használja, elkerülhetetlen egy feszültségvédelmi eszköz használata, mint egy hibaáram védelmi kapcsoló (RCD). *Az RCD használata csökkenti az áramütés kockázatát.*



FIGYELEM! A szerszám használatának biztonságával kapcsolatos általános figyelmeztetések:

Személyi biztonság:

- a) Ez a berendezés nem használható csökkentett fizikai, szenzoriális vagy

mentális képességű személyek (beleértve a gyermekeket is), tapasztalattal nem rendelkező személyek vagy olyan személyek által, akik nem ismerik a berendezést, kivételt képeznek azok a helyzetek, amikor a berendezés használata felügyelet alatt vagy a használati útmutatások betartásával történik egy, a biztonságért felelős személy által.

- b) Legyen figyelmes, összpontosítson arra, amit csinál és legyen mindig annak tudatában, hogy elektromos szerszámmal dolgozik! Ne használja az elektromos szerszámot, ha fáradt, ha kábítószert, alkoholt vagy gyógyszert befolyása alatt áll! *Elektromos szerszám használatánál egy pillanatnyi figyelmetlenség is komoly sérülések okozója lehet!*
- c) **Hordjon védőruházatot! Minden esetben viseljen védőszemüveget!** *Olyan védőruházat hordása mint a porvédő maszk, csúszásbiztos cipő, fülvédő vagy hallásvédő csökkenti a sérülések kockázatát!*
- d) **Kerülje el, hogy az elektromos szerszám véletlenül bekapcsoljon! A hálózati áramforrásra történő csatlakozás és/vagy az akkumulátor csatlakoztatása, valamint a szerszám felemelése vagy mozgatása előtt, győződjön meg arról, hogy az elektromos szerszám kapcsolója**

kikapcsolt állapotban van! Az elektromos szerszám mozgatása vagy bekapcsolt állapotban történő használata balesetet okozhat!

- e) **Az elektromos szerszám beindítása előtt távolítson el minden szerszámot a közelből!** Az elektromos szerszám mozgó részein hagyott szerszámok sérüléseket okozhatnak!
- f) **Ne hajoljon le mélyen! Álljon biztosan és tartsa meg az egyensúlyát!** Ez az elektromos szerszám jobb ellenőrzését teszi lehetővé váratlan helyzetekben.
- g) **Öltözzön fel megfelelően! Ne hordjon bő ruházatot vagy ékszert! Haját kösse be, ruházatát és kesztyűjét tartsa távol a mozgó alkatrészekről!** A bő ruházat, az ékszer és a hosszú haj beleakadhat a mozgó alkatrészekbe.
- h) **Amennyiben a berendezés alkalmas külső porelszívó és porgyűjtő csatlakoztatására, győződjön meg arról, hogy ezek helyesen lettek csatlakoztatva és használva.** A porgyűjtő használata csökkentheti a porral járó veszélyek kockázatát.
- i) **Ne engedje, hogy az elektromos szerszám gyakori használata során szerzett jártasság hatására túlzott magabiztossá váljon és figyelmen kívül hagyja a biztonsági szabályokat.** A figyelmetlen használat egy pillanat alatt súlyos testi sérülést okozhat.



FIGYELEM! A szerszám biztonságos használatára vonatkozó általános figyelmeztetések:

Az elektromos szerszám használata és gondozása:

- a) **Ne terhelje túl az elektromos szerszámot! Az elvégzendő munkához szükséges teljesítmény függvényében használjon elektromos szerszámokat!** A megfelelő elektromos szerszám jobb működést és biztosabb terhelést tesz lehetővé.
- b) **Tilos az elektromos szerszám használata, ha a kapcsoló nem indítja el és nem állítja meg a szerszámot!** Minden elektromos szerszám, amely nem indul el vagy nem áll meg, veszélyes és meg kell javítani!
- c) **Minden beállítás, alkatrészcsere vagy tárolás előtt húzza ki a csatlakozó dugót az elektromos szerszám hálózati áramforrásából és/vagy vegye ki az akkumulátort!** Ezek a biztonsági intézkedések csökkentik az elektromos áram véletlenszerű bekapcsolását.
- d) **A használaton kívüli elektromos szerszámot gyermekektől távol kell tárolni, és nem szabad kölcsön adni olyan személyeknek, akik nem ismerik az elektromos szerszámot vagy nem olvasták el annak használati utasításait!** Az elektromos szerszám veszélyes, ha tapasztalat nélküli személy használja!

e) Az elektromos szerszámot karban kell tartani! Ellenőrizni kell a mozgásban lévő alkatrészek vonalbeállítását vagy zavarát, az alkatrészek törését és egyéb tényezőket, melyek befolyásolhatják az elektromos szerszám működését! Ha rongálódást észlelünk, az elektromos szerszámot még használat előtt meg kell javítani!
Számos baleset oka az elektromos szerszám nem megfelelő karbantartása.

f) A vágószerszámok élesek és tiszták kell legyenek! A vágószerszámok éles alkatrészeinek karbantartása csökkenti az anyagba történő beakadás kockázatát és megkönnyíti a használatot.

g) Az elektromos szerszámot, a berendezést, a munkaszerszámokat, stb. jelen utasításoknak megfelelően kell használni, figyelembe véve a munka jellegét és feltételeit. Az elektromos szerszám rendeltetésétől eltérő használata veszélyes helyzeteket okozhat.

h) Alacsony hőmérsékleten vagy hosszabb használaton kívüli időszakot követően ajánlott az elektromos szerszám teher nélküli elindítása néhány percre a kenőanyag átviteli mechanizmusba történő helyes elosztása érdekében.

i) Az elektromos szerszám tisztításához puha, nedves (nem vizes) rongyot és szappant használjon! Ne használjon benzint, oldószert vagy egyéb

anyagokat, amelyek károsíthatják a berendezést!

j) Az elektromos szerszámot csak azután lehet tárolni/szállítani, miután megbizonyosodtunk arról, hogy minden mozgó eleme rögzítésre és biztosításra került a rögzítésre szánt eredeti elemek segítségével.

k) Az elektromos szerszámot száraz helyen kell tartani, védve a portól és a nedvességtől.

l) Az elektromos szerszám szállítása az eredeti csomagolásban történhet, megvédve ezáltal a mechanikai sérülésektől.

m) A markolatot és a fogófelületeket tisztán, olaj- és kenőanyagtól mentesen kell tartani. A csúszós markolatok és fogófelületek lehetetlenné teszik a szerszám biztonságos fogását és felügyeletét az esetleges váratlan szituációkban.



FIGYELEM! A szerszám biztonságos használatára vonatkozó általános figyelmeztetések:

Javítás:

a) Az elektromos szerszámok garanciális és garancia utáni javítását a PROFIX Szerviz végzi, ami garantálja a javítás kiváló minőségét és az eredeti alkatrészek használatát.



FIGYELMEZTETÉS! HŐLÉGFÚVÓ PISZTOLY, további biztonsági óvintézkedések-

Biztonság a munkavégzés helyén:

a) **Jól szellőztetett munkahelyen dolgozzon.** *A munka során keletkező gázok és gőzök gyakran károsak az egészségre.*

b) **A berendezés gondatlan használata tüzet okozhat, ezért:**

- *kellő óvatossággal kell eljárni, ha a berendezést olyan helyen használja, ahol gyúlékony anyagok vannak;*

- *nem szabad a forró levegő áramlását hosszabb ideig ugyanarra a helyre irányítani;*

- *ne használja a berendezést robbanásveszélyes környezetben;*

- *tisztában kell lenni vele, hogy a hő látómezőn kívüli éghető anyagokra is áttérjedhet;*

- *használat után helyezze a berendezést a tartóra és tárolás előtt hagyja kihűlni;*

- *tilos a bekapcsolt készüléket felügyelet nélkül hagyni.*

c) **Ne irányítsa a fűvókát a forró levegő áramlásával más személyek, állatok és gyúlékony anyagok irányába.**

Villamos biztonság

a) **Ne használja a készüléket esőben vagy párás körülmények között.** Ez sérülést vagy halálos áramütést okozhat.

b) **A hőlégfúvó kültéri használatakor áram-védőkapcsoló készüléket (RCD) kell használni.** *Az RCD készülék használata csökkenti az áramütés kockázatát.*

c) **Minden bekapcsolás előtt ellenőrizze a készüléket, a tápkábelt és a tápdugót.** **A készülék meghibásodásának megállapítása esetén szakítsa félbe a munkát és szolgáltatassa be a készüléket márkaszervizbe javítás céljából (a cím a garanciakártyán található).** **A meghibásodott hőlégfúvóval végzett munka életveszélyes.** *Sohase nyissa fel önállóan a készüléket.*

d) **Ne helyezzen semmilyen tárgyat a fűvókába.** *Ez a készülék meghibásodásához és áramütéshez vezethet.*

e) **A tápkábelt a készülék mögött kell vezetni.**

f) **Ne irányítsa a forró légáramot a tápkábelre és ne érintse meg a tápkábelt a felhevült fűvókával.** *Ez a szigetelés megolvadásával és áramütéssel fenyeget.*

g) **Ne hordozza és ne akassza fel a készüléket a tápkábelnél fogva.**

h) **Tilos az elektromos szerszámot sérült tápkábellel használni.** **Nem szabad megérinteni a sérült kábelt; a tápkábel munkavégzés közben bekövetkező sérülése esetén azonnal húzza ki a tápkábelt a hálózati aljzatból.** *A sérült tápkábel fokozza az áramütés kockázatát.*



FIGYELMEZTETÉS!

Ha megsérül a nem cserélhető tápvezeték, akkor azt a gyártónál vagy

szakszervizben vagy szakemberrel ki kell cseréltetni a veszély megelőzése érdekében.

Személyi biztonság:

- a) Műanyagok, festékek, lakkok és hasonló anyagok feldolgozásakor gyúlékony és mérgező gázok keletkezhetnek.
- b) Viseljen speciális maszkot az ólomfestékpórá és gőzök ellen, valamint gondoskodjon a munkaterületen tartózkodók további személyek biztonságáról.
- c) **Megégés veszélye!** Sohasé érintse meg a forró fűvókát. Mindig használjon védőkesztyűt.
- d) Sohasé nézzen be a fűvókába bekapcsolt készülék mellett.
- e) Mindig viseljen védőszemüveget a munkavégzés alatt.
- f) **Ne használja a készüléket hajszárítóként!** *A készüléket elhagyó levegő hőmérséklete jelentősen meghaladja a hajszárítóból származó levegő hőmérsékletét.*

Az elektromos szerszám használata és karbantartása:

- a) **Óvja a hőlégfűvót az ütésektől és az éles tárgyak okozta felületi sérülésektől.**
- b) **A hőlégfűvó használata előtt először ellenőrizze a levegő be-és kimeneti nyílását és távolítsa el a levegőáramlást akadályozó**

esetleges akadályokat.

- c) **Ne égessen festéket, mert tűzveszélyes.** *Vigyázzon, hogy ne égjen rá a festék a fűvókára, mert idővel meggyulladhat.*
- d) **Ne takarja le a légbevezető nyílásokat vagy a fűvóka kivezető nyílását, mert ez túlzott hőmérséklet emelkedéshez és a berendezés károsodásához vezethet.** *Sohasé közelítse a fűvóka kivezetését 5 cm-nél közelebbre a megmunkált tárgyhoz.*
- e) **A munkavégzés alatt és közvetlenül utána ne támassza semmilyen tárgyhoz a fűvókát. Nem szabad a hőlégfűvó pisztolyt az oldalára fektetni.** *Ha félretesszük a hőlégfűvót, azt mindig függőleges helyzetben kell állítani.*
- f) **Húzza ki a táp dugót a hálózati aljzatból minden munkaszünet alatt, amikor a készülék nincs használatban, valamint a készüléken végrehajtott bármilyen munka elvégzése előtt (pl. ellenőrzés, tisztítás, beállítás).**
- g) **Soha ne engedje, hogy gyerekek használják a készüléket.**

A HŐLÉGFŰVÓ FELÉPÍTÉSE ÉS RENDELTETÉSE:

A hőlégfűvó egy kézi elektromos szerszám. Kis méretű, ergonomikus forma, alacsony zajszint, nagysebességű légkibocsátás, három fokozatú hőmérsékletszabályozás jellemzi.

A készülék festékretegek eltávolítására, műanyagok formázására és hegesztésére, valamint hőre zsugorodó fólia zsugorítására szolgál. A készülék ragasztó lágyítására és a vízvezetékek felolvasztására is használható.

FIGYELEM! A készüléket nem szabad külső időzítővel vagy különálló távvezérlő rendszerrel használni.

Tilos a szerszámot olyan munkálatokhoz használni, amelyek

professzionális szerszám használatát igénylik.

A hőlégfúvó minden fentebb megadott rendeltetéstől eltérő használata tilos és az a garancia elvesztését eredményezi, valamint felmenti a gyártót az ebből a használatból keletkező károk felelőssége alól.

A berendezés felhasználója által végrehajtott bármennemű módosítás felmenti a gyártót a felhasználóban és a környezetében okozott sérülések és károk felelőssége alól.

A rendeltetésszerű felhasználás ellenére sem lehet teljesen kizárni a reziduális kockázati tényezőket. A gép szerkezetére és felépítésére való tekintettel a következő veszélyek léphetnek fel:

- A készülék forró részeinek megérintése okozta sérülések;
- A megmunkált anyag vagy a megmunkált anyag darabjának a felverődése.

■ Tartozékok

- Hőlégfúvó - 1 db
- Használati útmutató - 1 db
- Garanciakártya - 1 db

■ A készülék elemei (lásd A ábra):

A készülék elemeinek számozása a használati útmutató 2. oldalán látható ábrákra vonatkozik:

1. Kivezető fűvóka
2. Kapcsológomb/üzemmód kapcsoló
3. Tápkábel

MŰSZAKI ADATOK:

Névleges feszültség	220-240 V	
Névleges frekvencia	50/60 Hz	
Névleges teljesítmény	1800W	
Üzemi hőmérséklet/ Légáram	I üzemmód	50°C / 250 l/perc
	II üzemmód	400°C / 250 l/perc
	III üzemmód	600°C / 500 l/perc
Szerszám osztálya	II	
Súly	0,75 kg	

■ Zajra vonatkozó információk

A készülék mért hangnyomásszintje kevesebb mint 70 dB(A).

A MUNKA MEGKEZDÉSE ELŐTT:

1. Győződjön meg róla, hogy a tápforrás, amire a hőlégfúvó csatlakoztatja, megfelel a hőlégfúvó adattábláján megadott paramétereknek.
2. Győződjön meg róla, hogy a kapcsológomb kikapcsolt állásban van. Ha úgy dugja be a tápdugót a hálózati aljzatba, hogy a kapcsológomb bekapcsolt állapotban van, súlyos baleset történhet, mivel a hőlégfúvó azonnal működésbe lép.
3. Ha a munkavégzés helye messze van a hálózati aljzattól, a felvett áramnak megfelelő keresztmetszetű hosszabbítót kell használni. A lehető legrövidebb hosszabbítót javasolt használni. A hosszabbítót teljesen szét kell tekerni.

MUNKAVÉGZÉSSORÁN:

■ Bekapcsolás/kikapcsolás

- A készülék bekapcsolásához tolja a kapcsológombot/üzemmód kapcsolót (2) az I, II vagy III állásba.
- A készülék bekapcsolásához tolja a kapcsológombot/üzemmód kapcsolót (2) ellenállásig 0 állásba.

■ Üzemmód kiválasztása

A kapcsológomb/üzemmód kapcsoló (2) három üzemmódba állítható (lásd A ábra).

A megfelelő légáramot és hőmérsékletet a táblázat szerint lehet beállítani:

I üzemmód	250 l/perc - 50°C
II üzemmód	250 l/min - 400°C
III üzemmód	500 l/min - 600°C

Az I. üzemmód a felmelegített munkadarab lehűtésére, a festék szárítására és a hőlégfúvó kikapcsolás vagy a cserélhető fűvókák (nem tartozék) cseréje előtti lehűtésére szolgál.

FIGYELEM: Ha magasabb hőmérsékletről alacsonyabbra vált, a hőlégfúvónak szüksége van némi időre a kihűléshez.

MUNKAVÉGZÉSI JAVASLATOK:



FIGYELEM! A munkavégzés során kerülje a hőlégfúvó felhevített anyag felületéhez viszonyított merőleges vezetését. Ez azt okozza, hogy a forró levegő visszaverődik a felületről és azt visszaszívja a motor forgómotorja túlzott hőmérséklet emelkedést eredményezve a motor belsejében, ami a hőlégfúvó meghibásodásához vezet. A hőlégfúvót a felhevített anyaghoz viszonyítva kb. 45° szögben kell vezetni.

A fűvóka és a munkadarab közötti távolságot a munkadarab anyagától függően kell alkalmazni, de nem lehet kevesebb, mint 5 cm.

A készülék kikapcsolása előtt állítsa néhány másodpercre az üzemmódot a legalacsonyabb hőmérsékletre a fűtőelem kihűlése céljából. Ez növeli a készülék tartósságát.

■ A készülék félretelevése

A forró szerszám lehűtéséhez vagy ahhoz, hogy mindkét keze szabad maradjon a munkavégzéshez, helyezze a szerszámot függőlegesen egy vízszintes felületre (lásd B ábra).



FIGYELEM: A félretett készülékkel végzett munkálatok során különlegesen óvatosnak kell lenni! Fennáll a veszélye, hogy megegyti magát a forró fűvókéval vagy a forró légáramlattal.

HASZNÁLAT ÉS KARBANTARTÁS:

1. A hőlégfúvót tisztán kell tartani, biztosítani kell a szabad légáramlást.
2. Óvja a hőlégfúvót a vízzel való érintkezéstől, valamint a por, szennyeződés és egyéb apró alkatrészek bejutását a gépbe.
3. A hőlégfúvó műanyag házát nem szabad vegyi tisztítószerekkel tisztítani. Használjon enyhén benedvesített törölkendőt és szappant. A hőlégfúvót a készülékház természetes körülmények közötti teljes megszáradása után szabad használni.
4. Rendszeresen ellenőrizze a tápkábel állapotát, ha bármilyen sérülést észlel, azonnal cserélje ki a kábelt.
5. Műszaki probléma esetén lépjen kapcsolatba a szervizzel. A márkaszervizek listája a garanciakártyán található.

GYÁRTÓ:

PROFIX Sp. z o.o.

Marywilka u.34,

03-228 Varsó, LENGYELORSZÁG

KÖRNYEZETVÉDELEM:

FIGYELEM! Ez a jel azt jelöli, hogy a használt készüléket tilos egyéb hulladékkal egy helyen elhelyezni (pénzbüntetés terhe mellett). Elektromos és elektronikus gépek veszélyes alkotórészei negatívan befolyásolják a környezetet és az emberek egészségét.

Minden háztartásnak hozzá kell járulnia a használt készülékek visszanyeréséhez és újrahasznosításához. Úgy Lengyelországban, mint Európában megszervezik vagy már léteznek a használt készülékek gyűjtési rendszere, melynek keretében az adott készülék minden értékesítési helyén kötelesek átvenni a használt készüléket. Ezenkívül léteznek ilyen típusú készülékek gyűjtő központjai is.



A PROFIX cég politikája az, hogy folyamatosan tökéletesítse termékeit, ezért fenntartja magának azt a jogot, hogy a termék specifikációit előzetes tájékoztatás nélkül módosítsa! A használati utasításokban megjelölt ábrák csak példák, ezek kicsit eltérhetnek a megvásárolt eszköz valódi arculatótól!

Jelen használati utasítást szerzői jogok védik. A PROFIX Sp. z o.o. társaság írásos hozzájárulása nélküli másolása/sokszorosítása tilos!

